
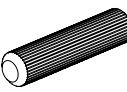
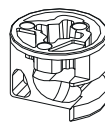

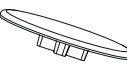
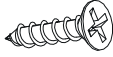
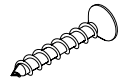
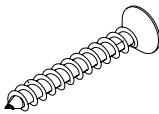
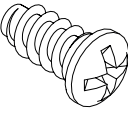
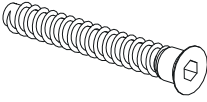
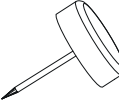
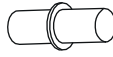
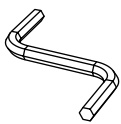

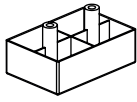
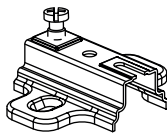
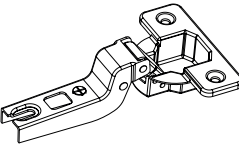
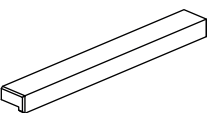
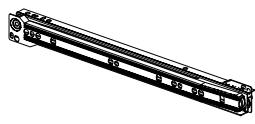
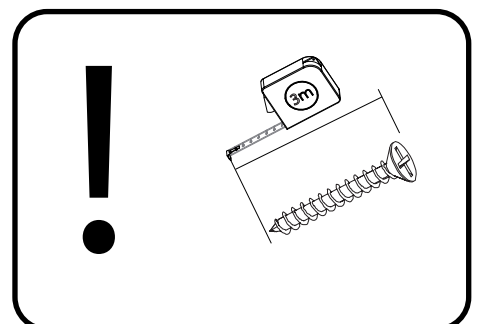


AVO 10

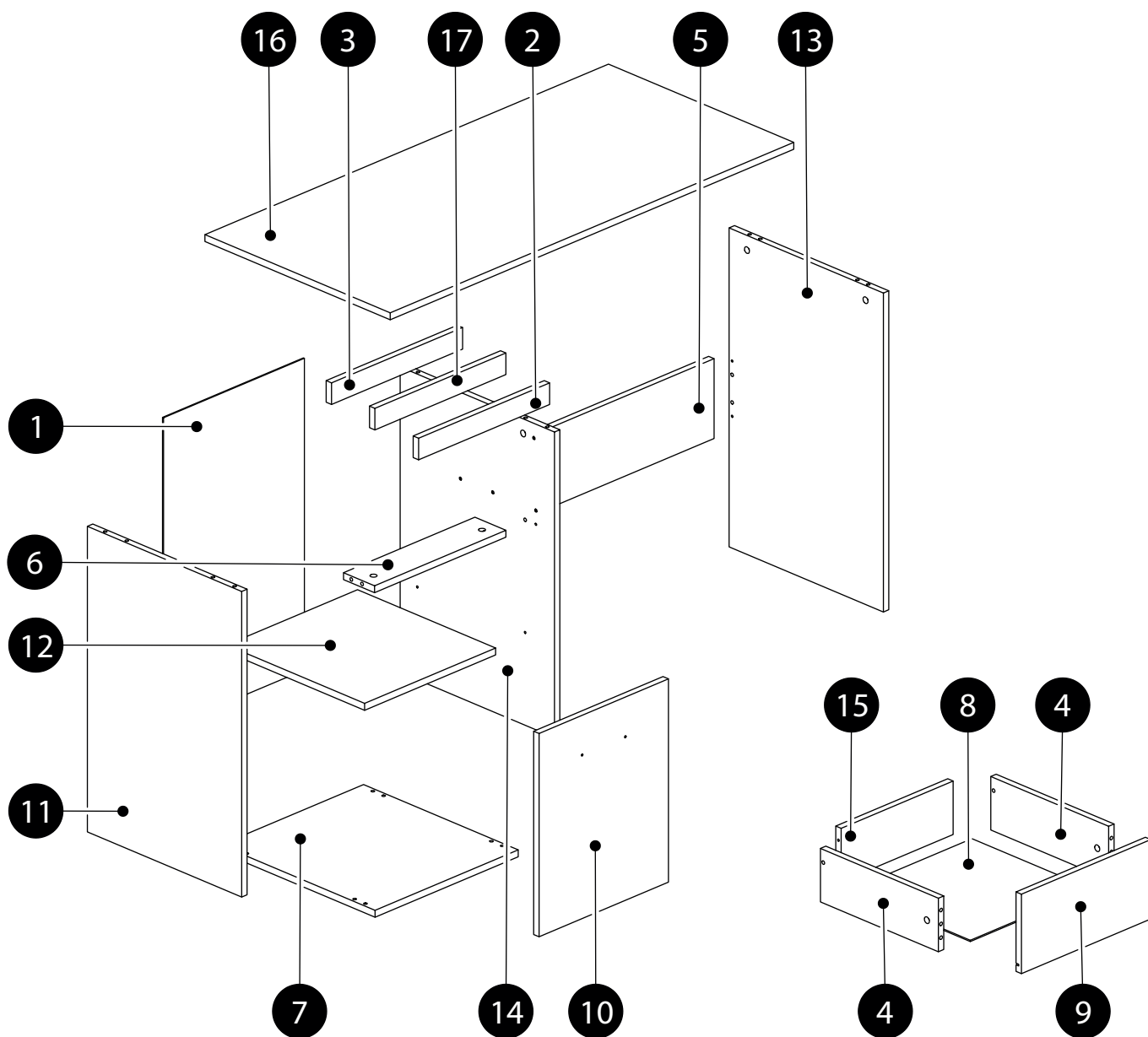
| | | |
|--|---|---|
| GW1 x 23 1,4x25  | K1 x 20 8x32  | B2 x 14 h-12  |
| ZJ1 x 14 L-43  | ZM1 x 8 ø18  | WT1 x 22 3,5x15  |
| WT35 x 6 3x20  | WT18 x 4 4x30  | WE2 x 4 EK6,3x13B  |
| KT1 x 6 6,3x50  | SG1 x 2  | PO2 x 4 ø5  |
| x 1  | KT35 x 3 35x35  | ST4 x 4 60x40x20  |
| PK4 x 2 H-4  | ZP9 x 2 WEWN  | U2M x 2 L-158  |
| P5 x 1 L-350  | | |

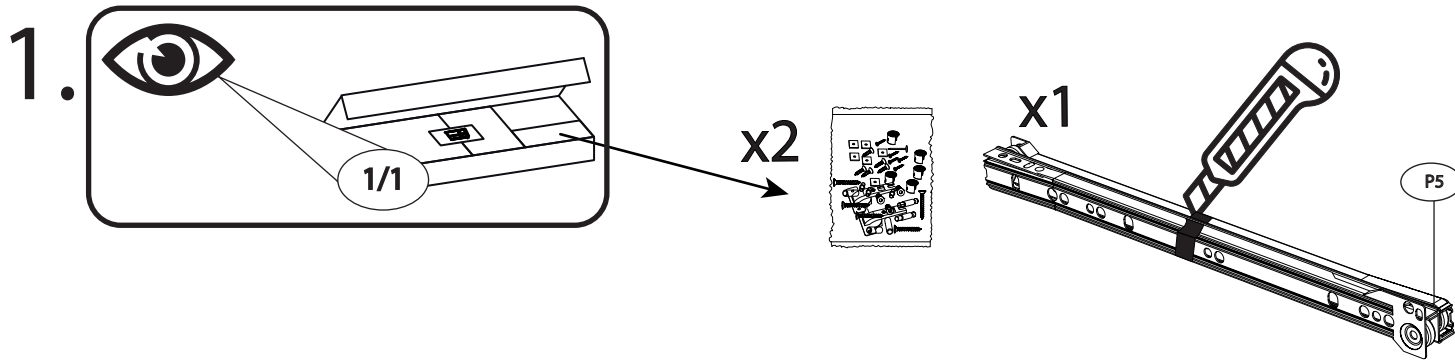


AVO 10

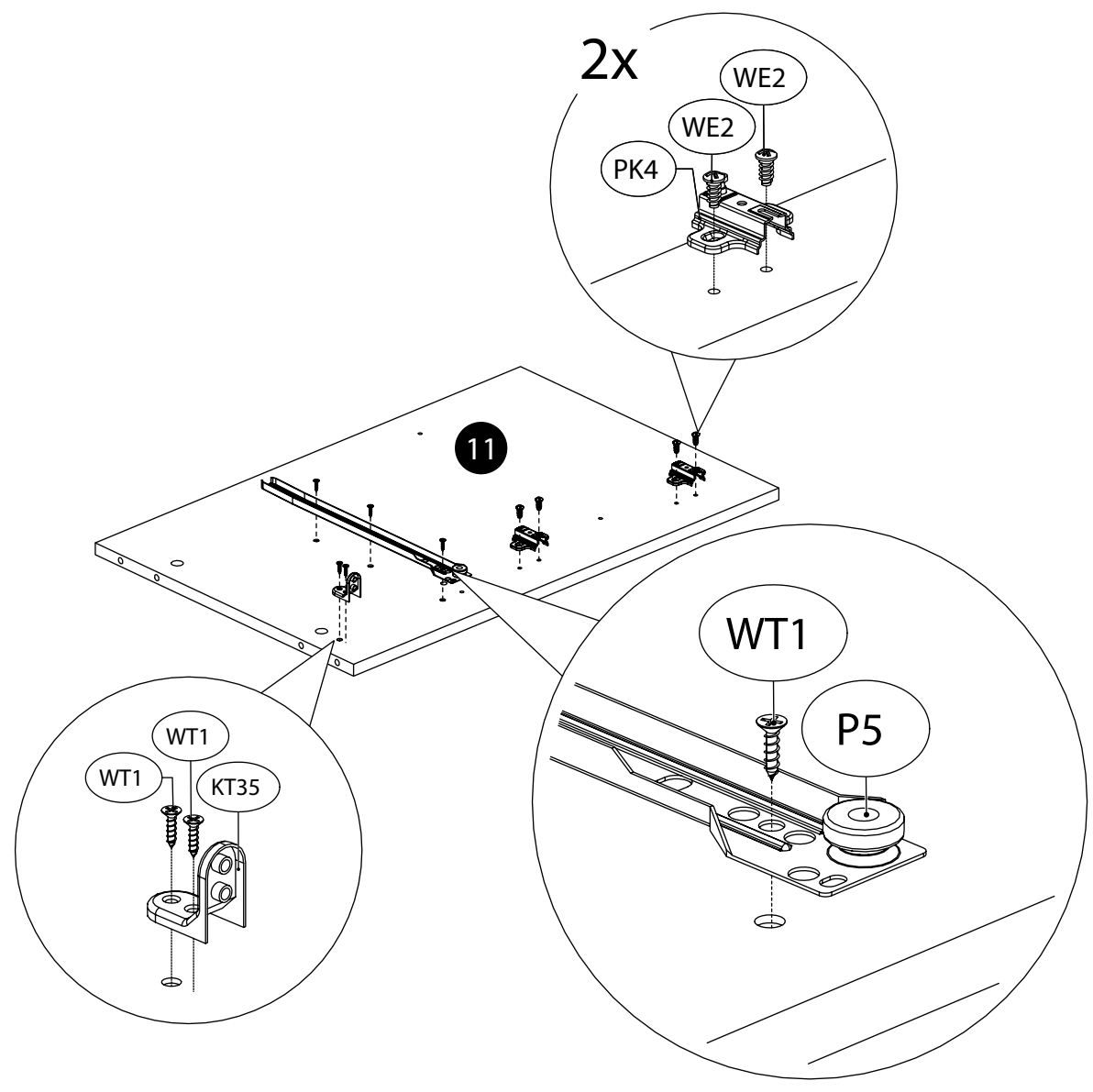
| | CODE | | | | |
|----|-------------|-----|-----|---|-----|
| 1 | Avo10HDF_01 | 722 | 418 | 1 | 1/1 |
| 2 | Avo10_14 | 389 | 50 | 1 | 1/1 |
| 3 | Avo10_15 | 389 | 50 | 1 | 1/1 |
| 4 | Avo10_09 | 350 | 124 | 2 | 1/1 |
| 5 | Avo10_06 | 757 | 185 | 1 | 1/1 |
| 6 | Avo10_07 | 390 | 92 | 1 | 1/1 |
| 7 | Avo10_02 | 425 | 459 | 1 | 1/1 |
| 8 | Avo10HDF_02 | 360 | 355 | 1 | 1/1 |
| 9 | Avo10_12 | 384 | 184 | 1 | 1/1 |
| 10 | Avo10_11 | 384 | 471 | 1 | 1/1 |

| | CODE | | | | |
|----|----------|------|-----|---|-----|
| 11 | Avo10_03 | 708 | 458 | 1 | 1/1 |
| 12 | Avo10_08 | 389 | 410 | 1 | 1/1 |
| 13 | Avo10_05 | 739 | 458 | 1 | 1/1 |
| 14 | Avo10_04 | 708 | 458 | 1 | 1/1 |
| 15 | Avo10_10 | 333 | 124 | 1 | 1/1 |
| 16 | Avo10_01 | 1198 | 550 | 1 | 1/1 |
| 17 | Avo10_13 | 389 | 50 | 1 | 1/1 |

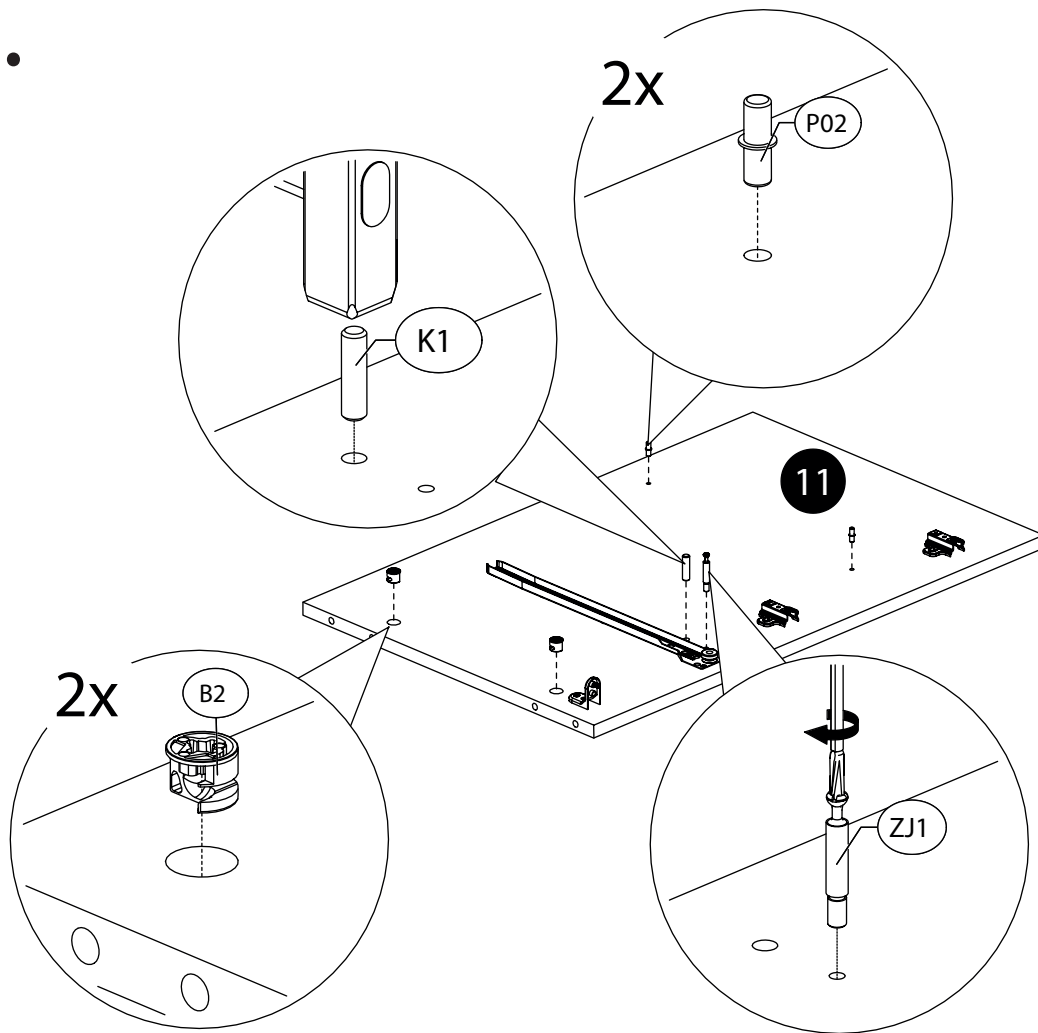




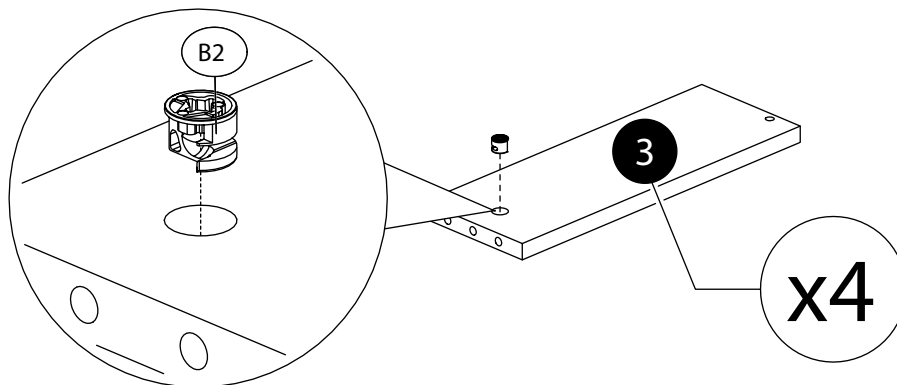
2a.



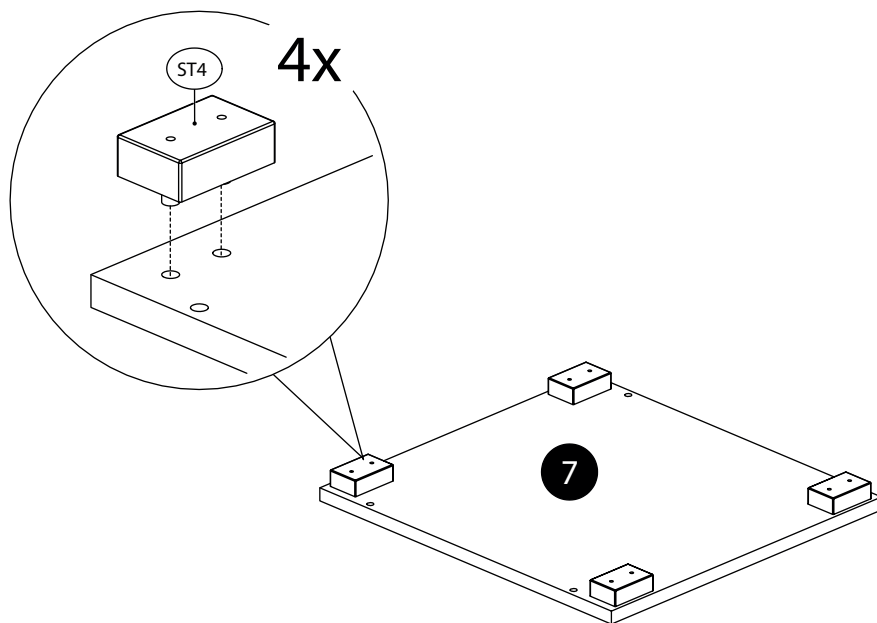
2b.



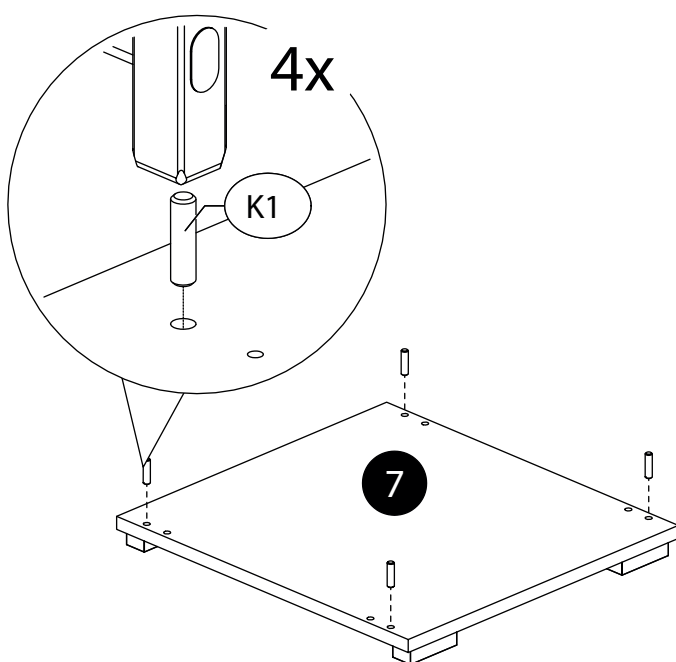
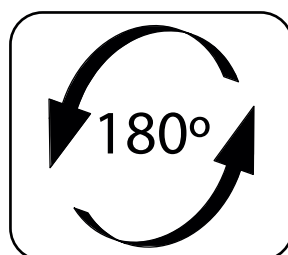
3.



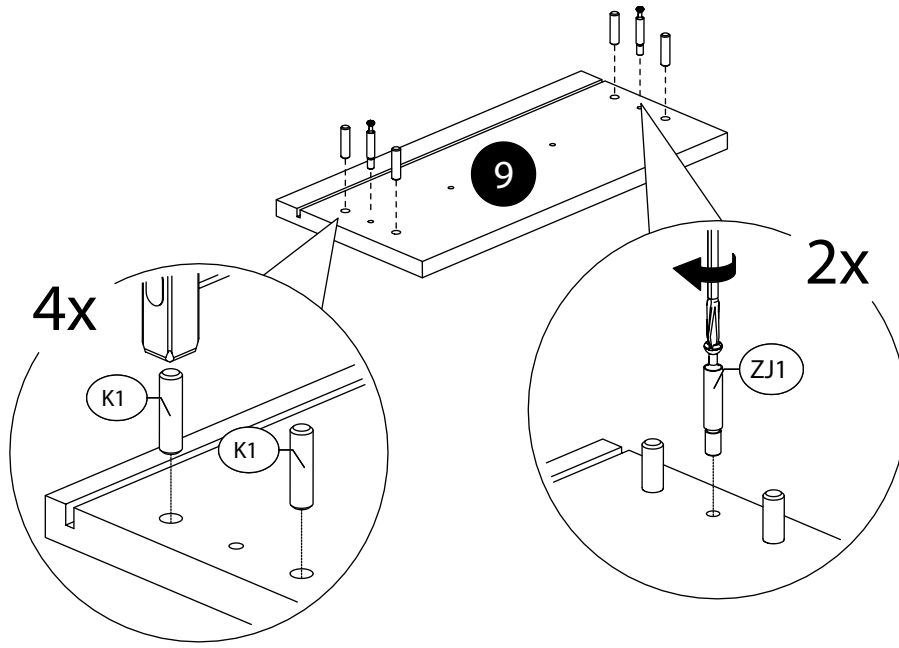
4.



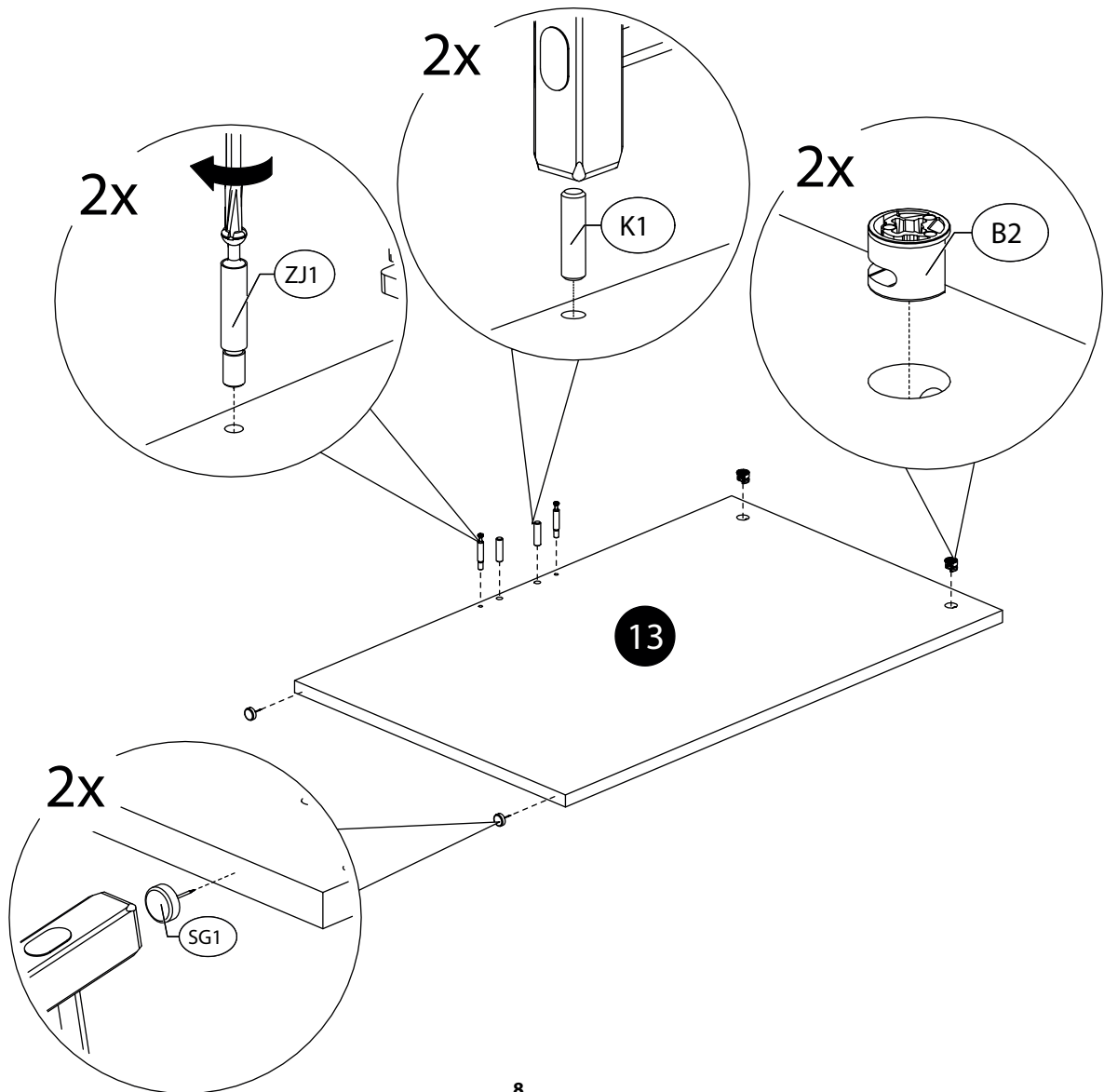
5.



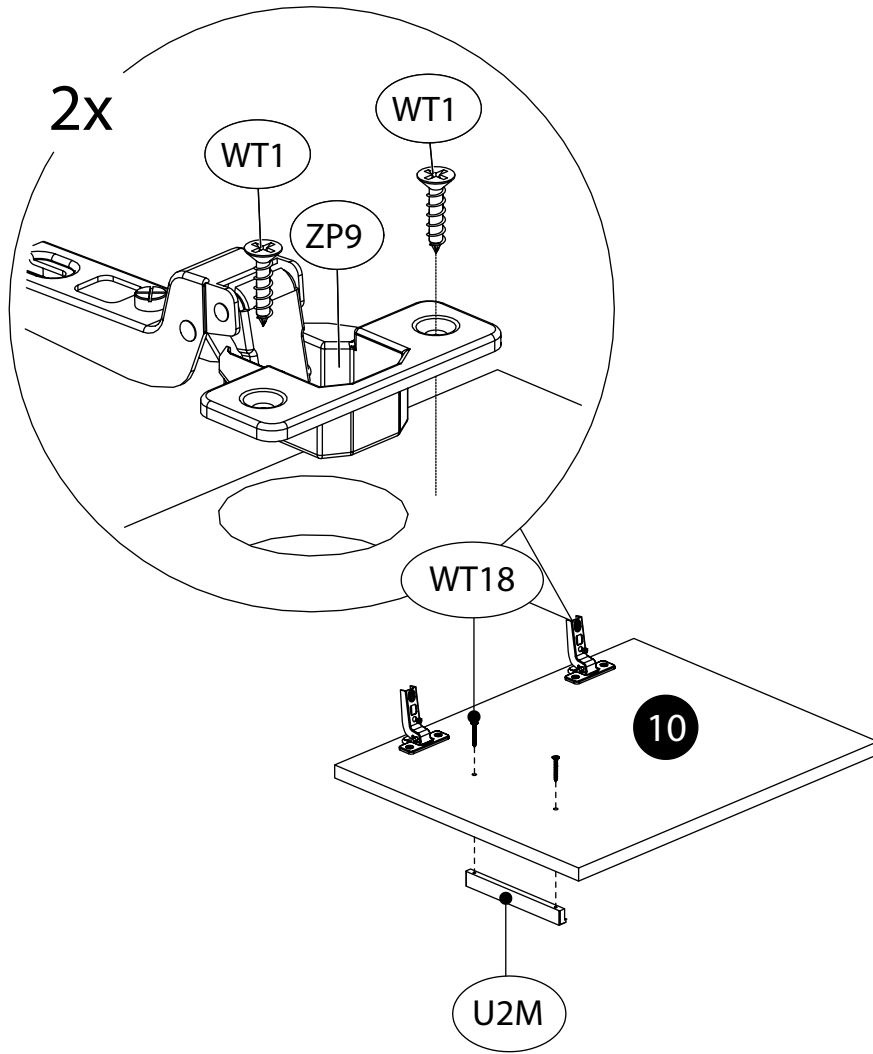
6.



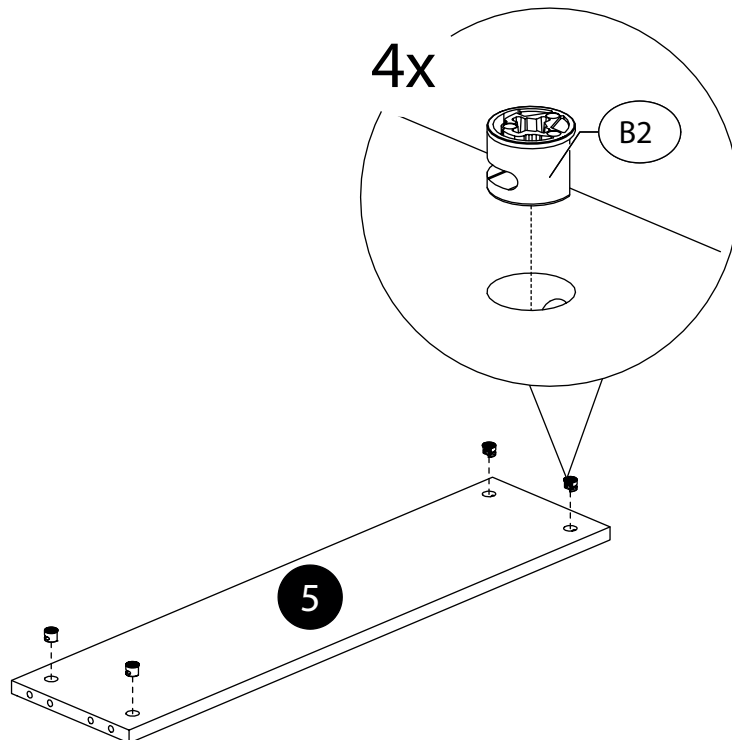
7.



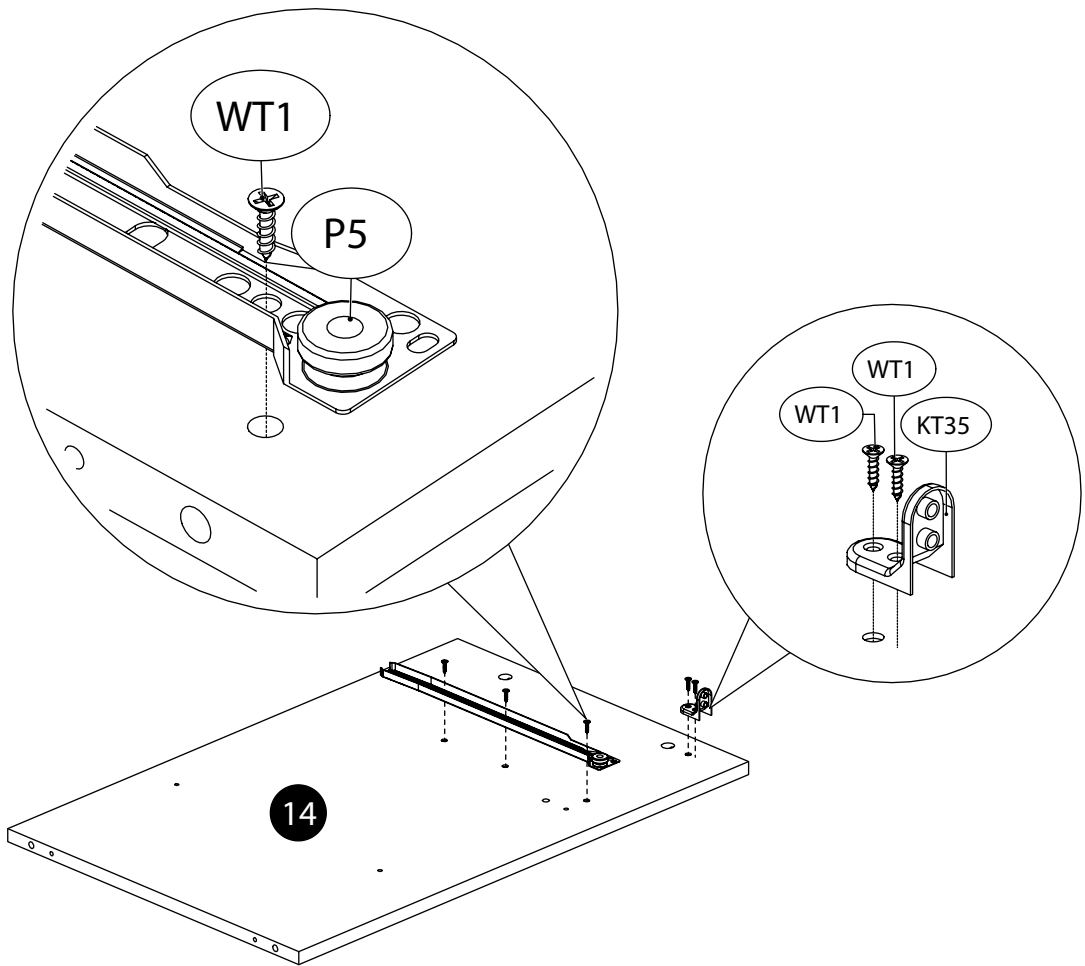
8.



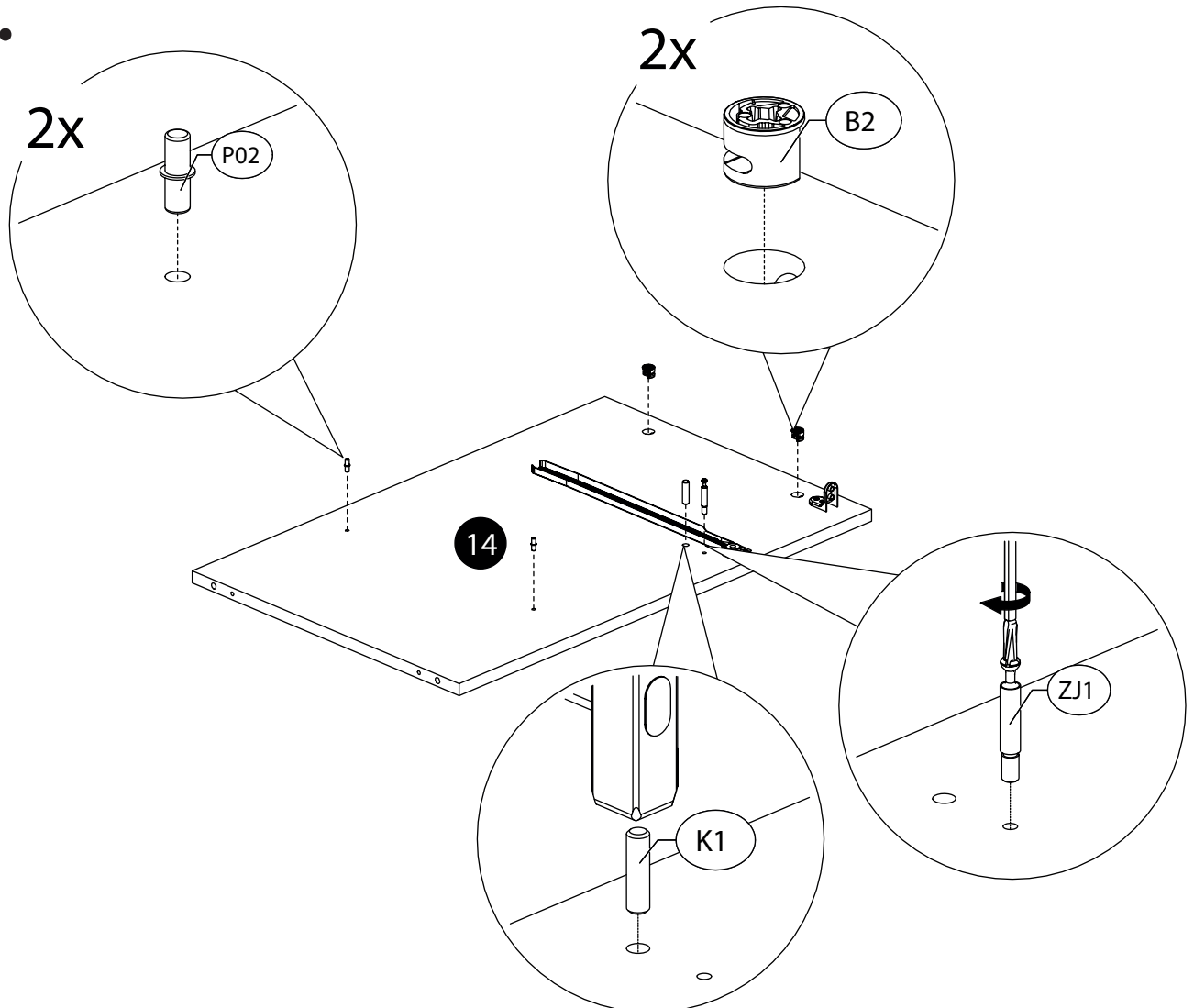
9a.



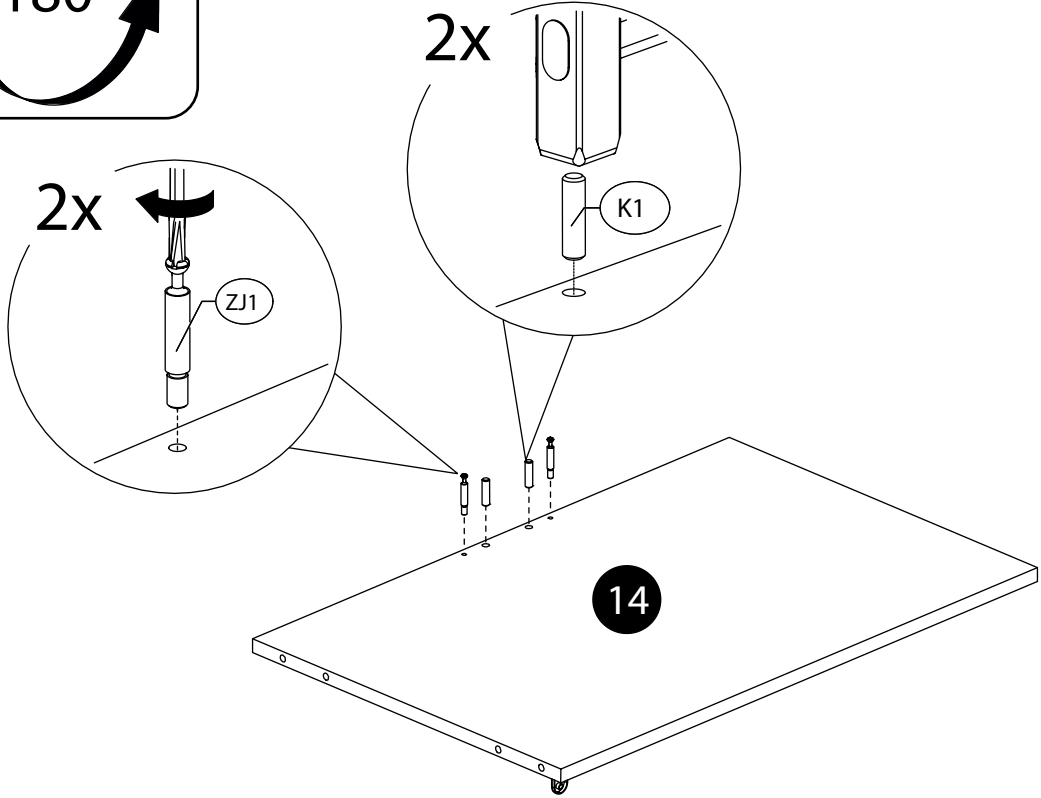
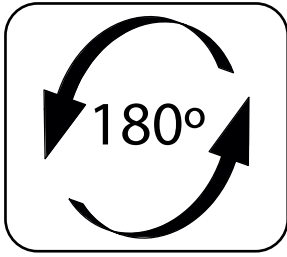
9b.



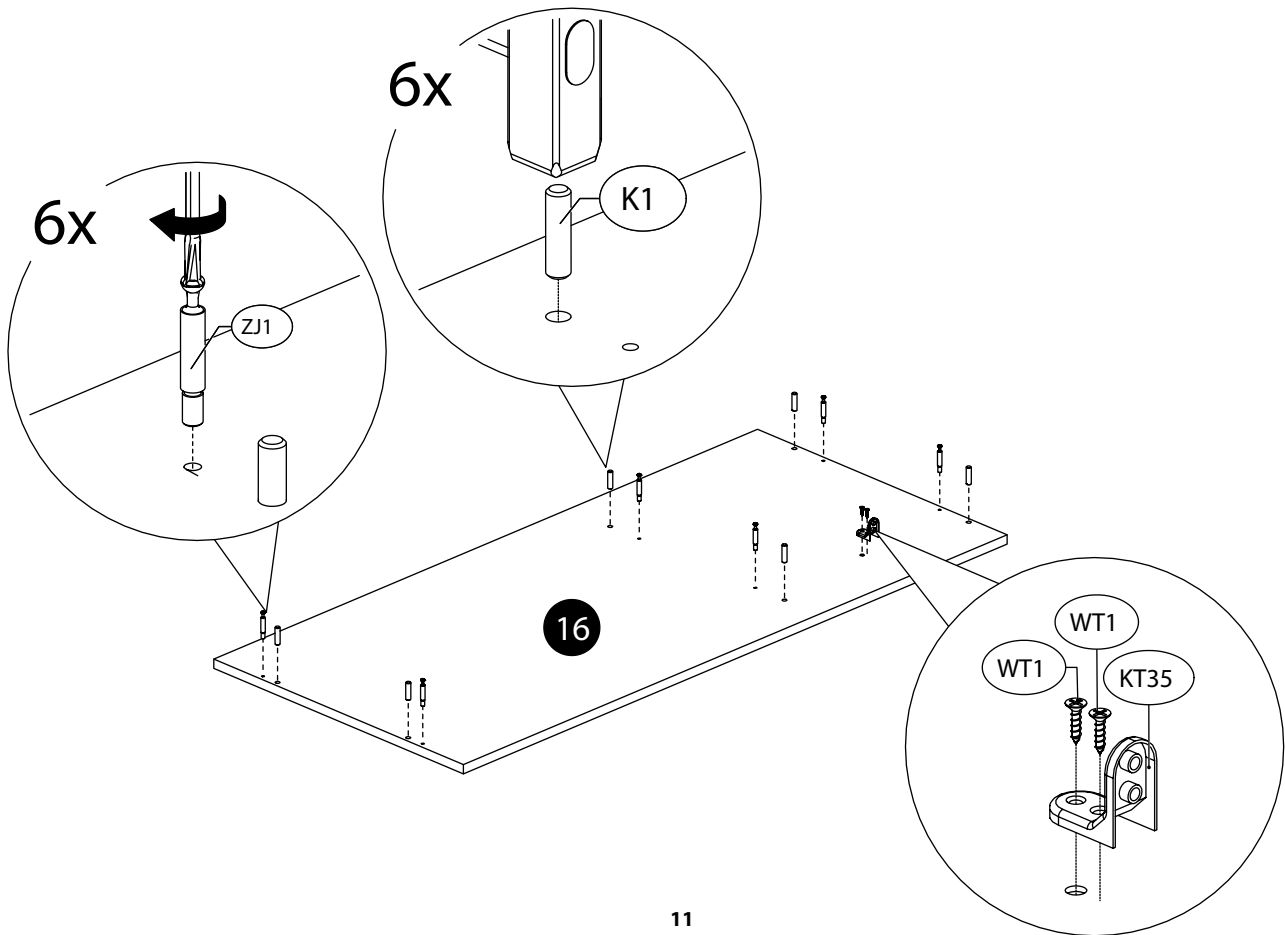
10.



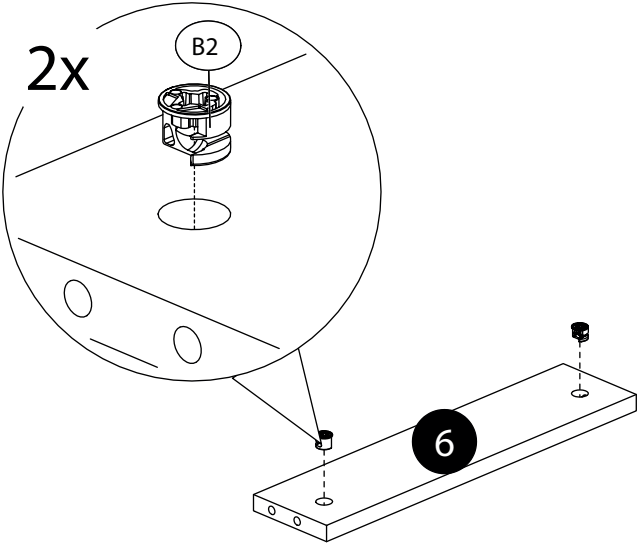
11.



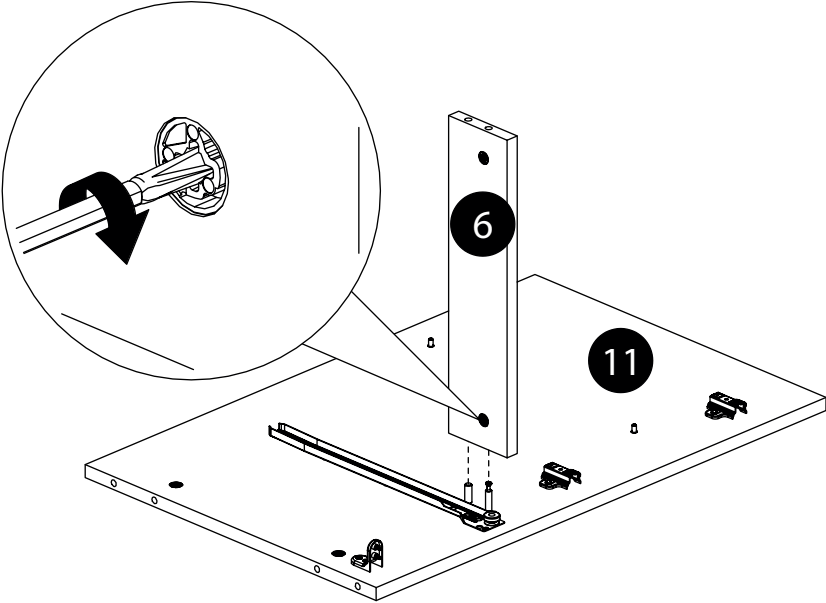
12.



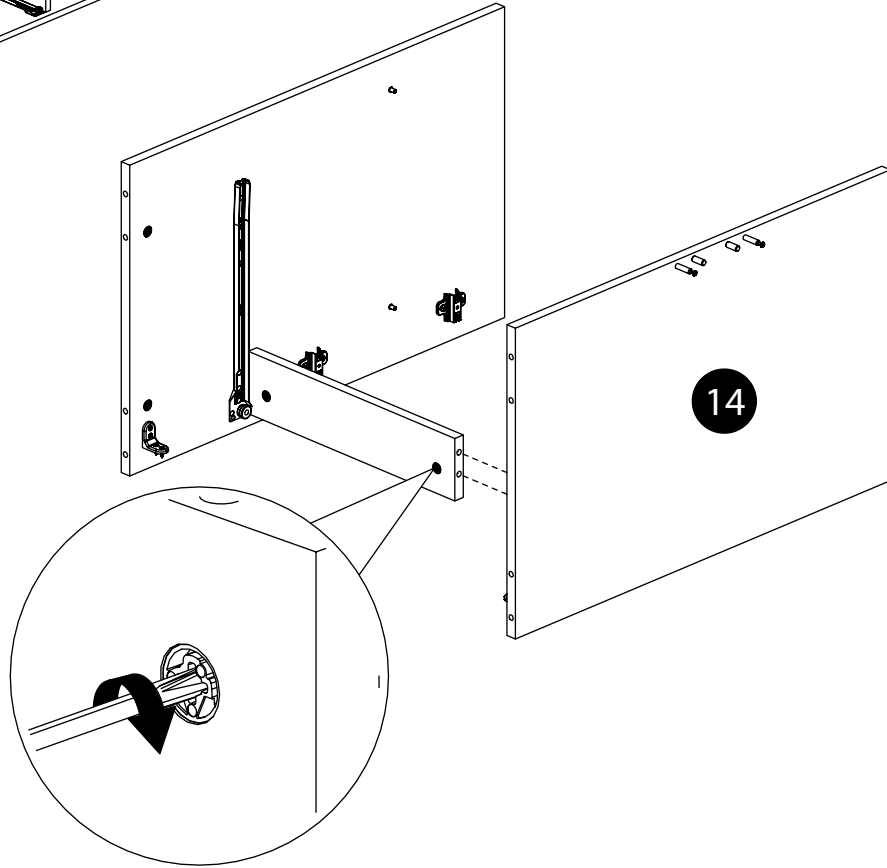
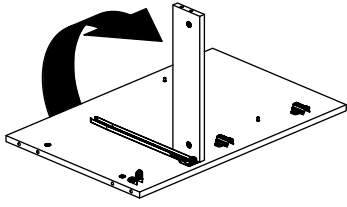
13.



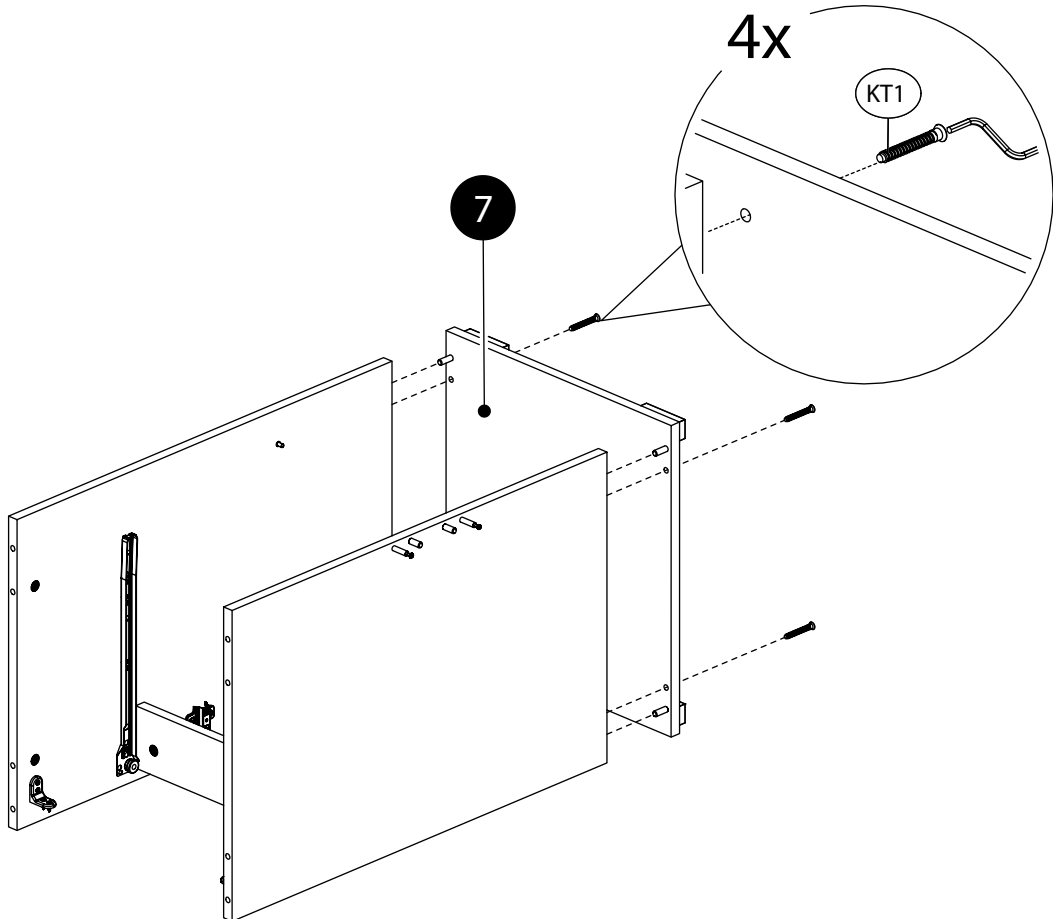
14.



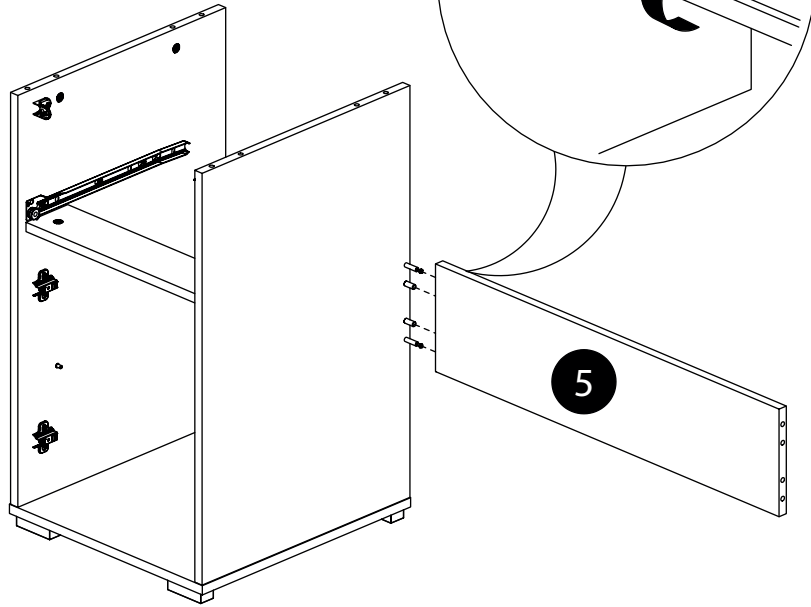
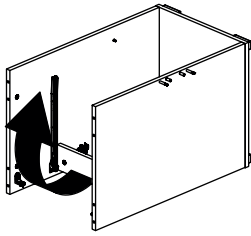
15.



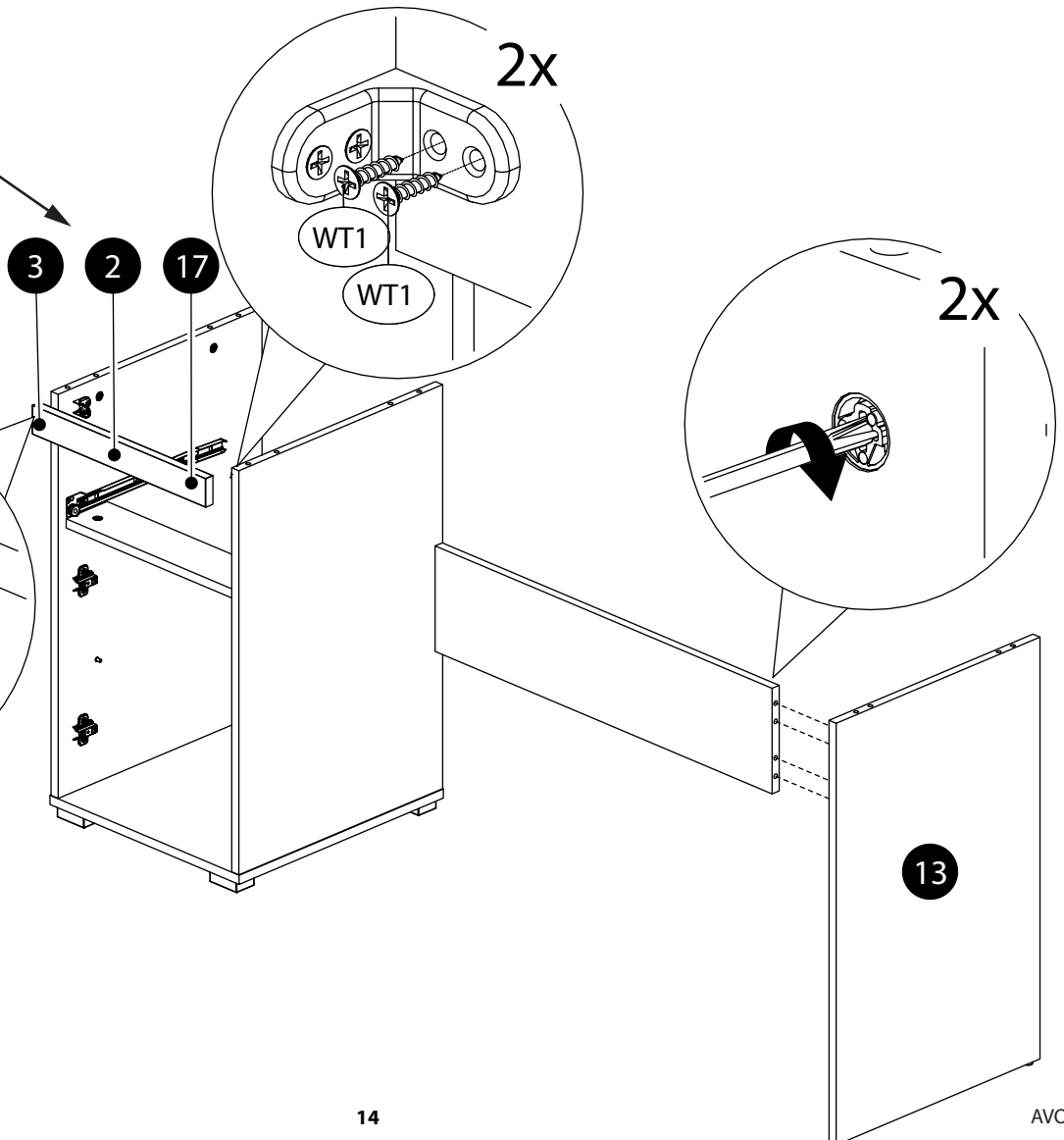
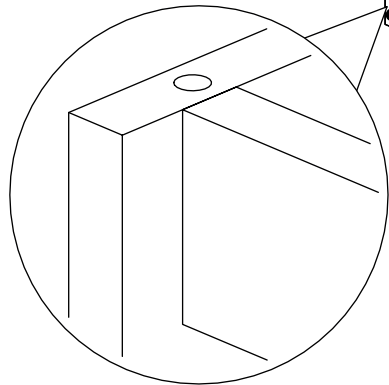
16.



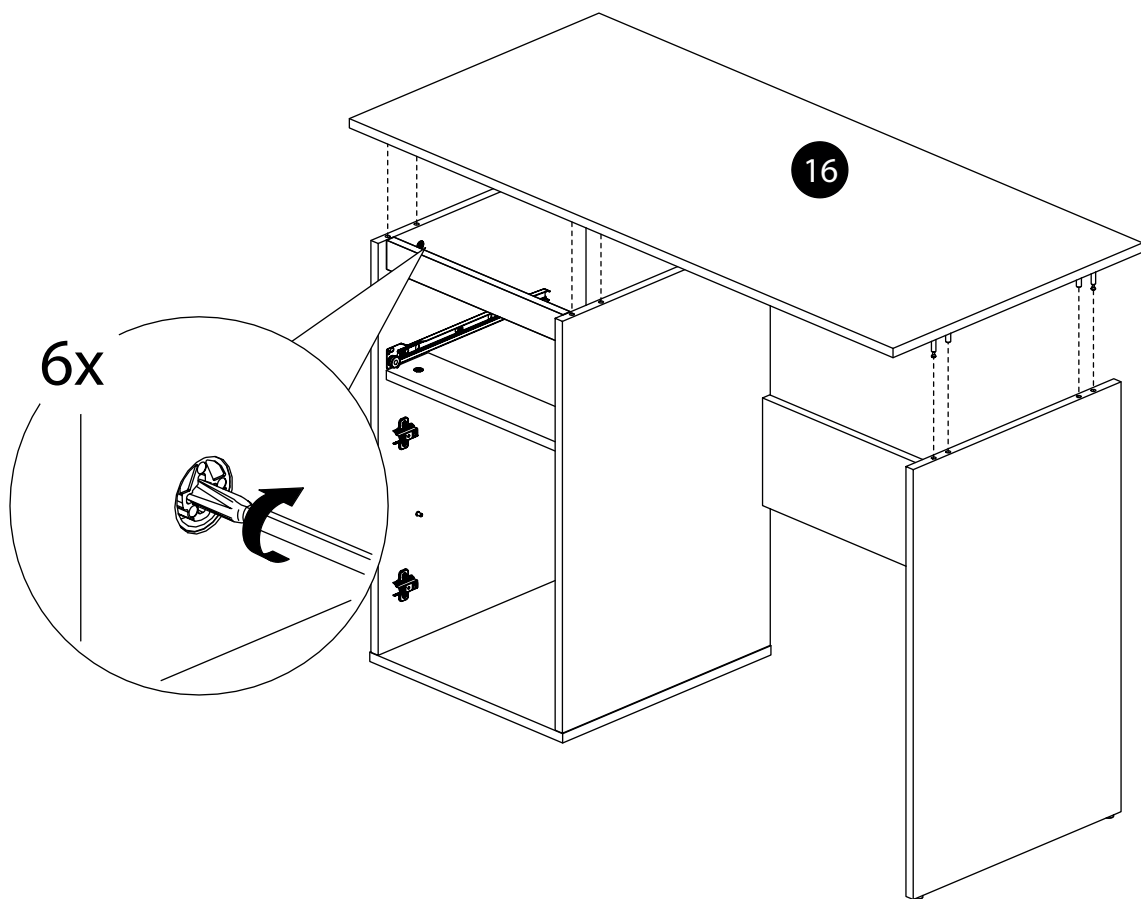
17.



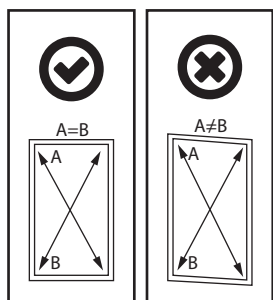
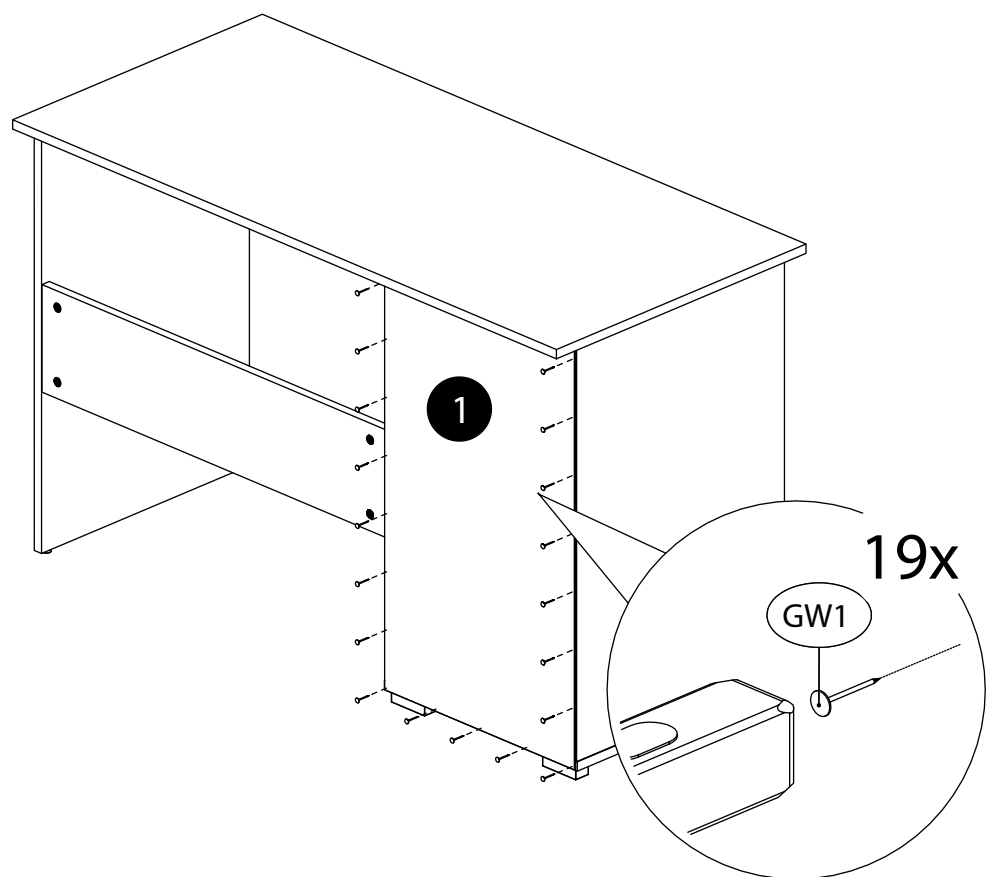
18.



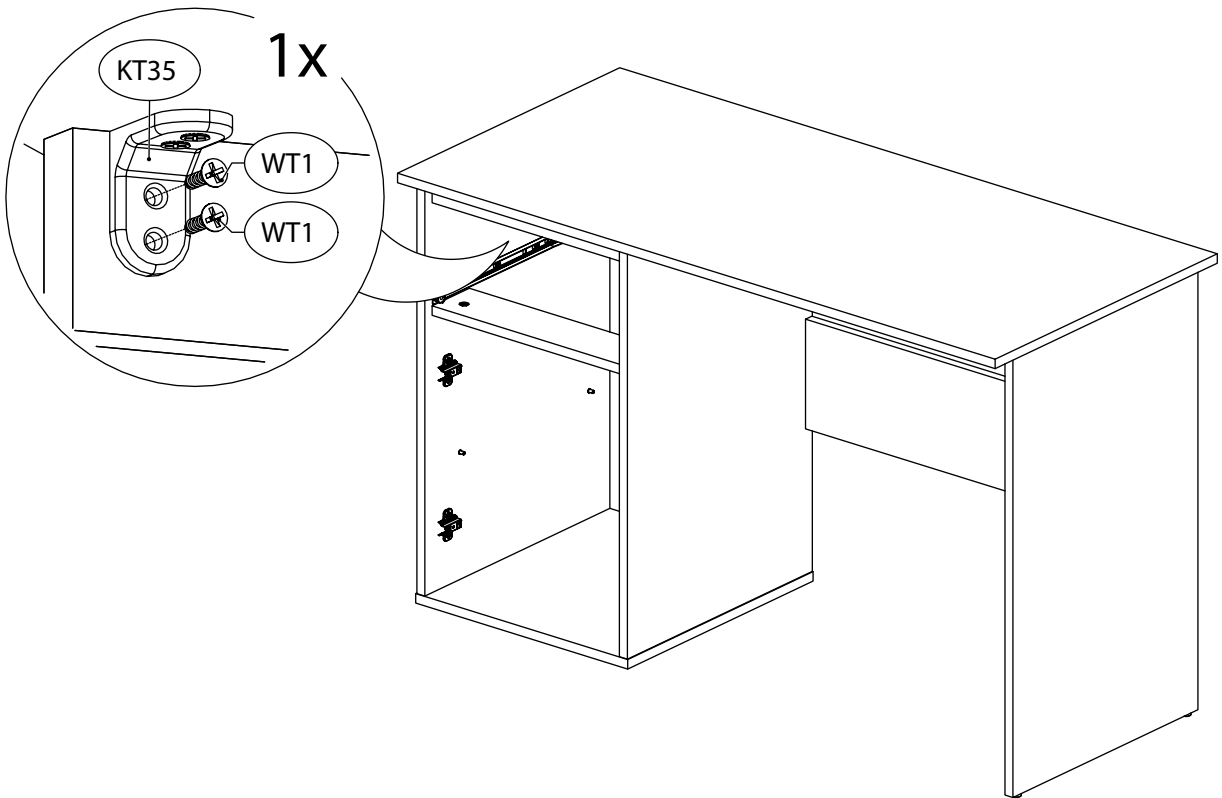
19.



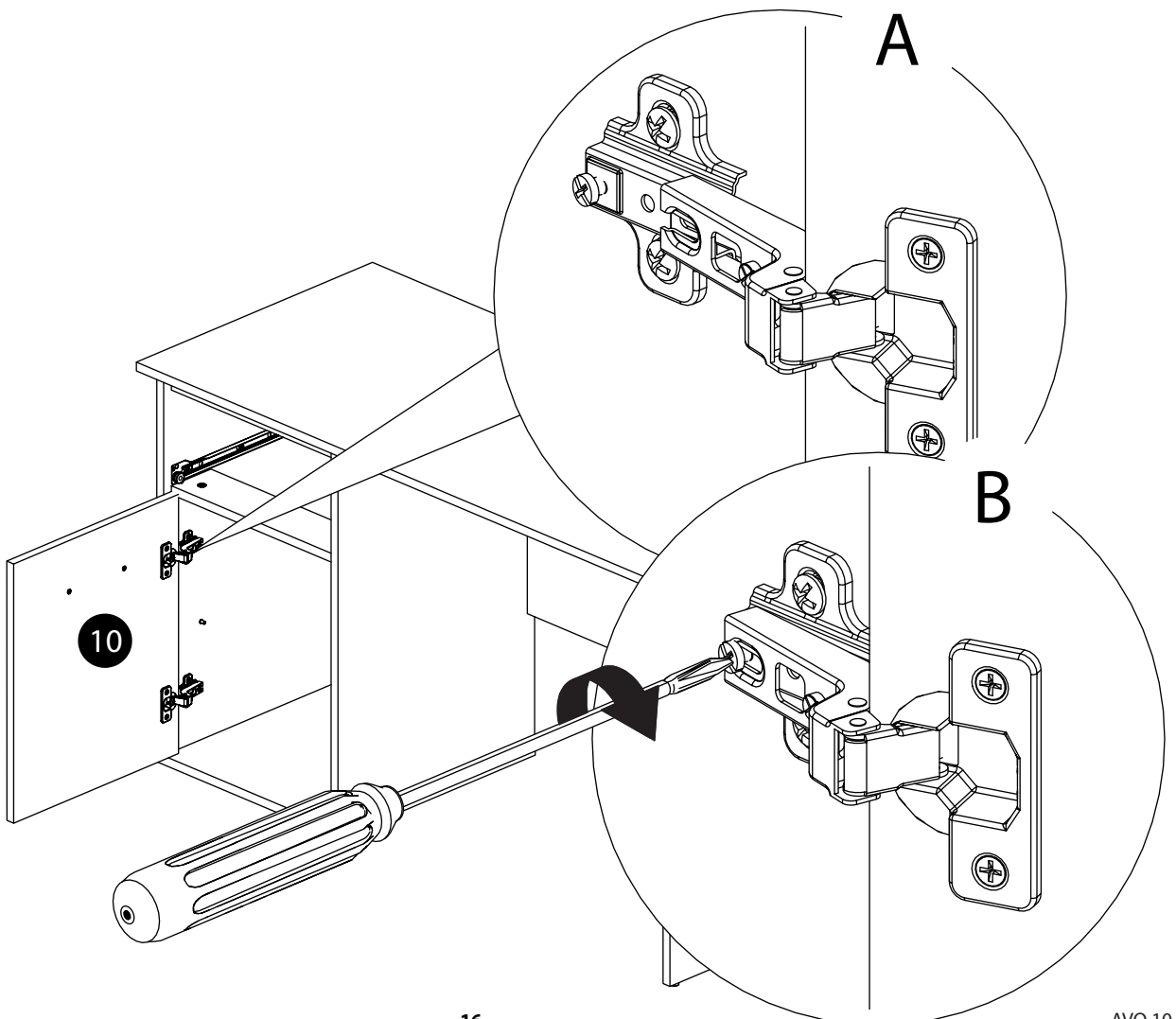
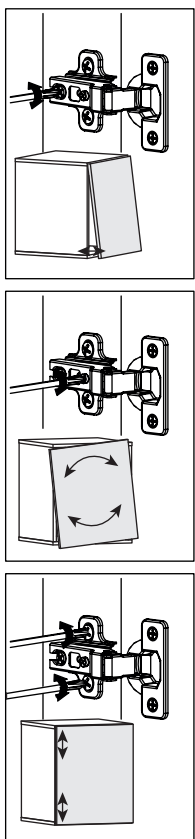
20.



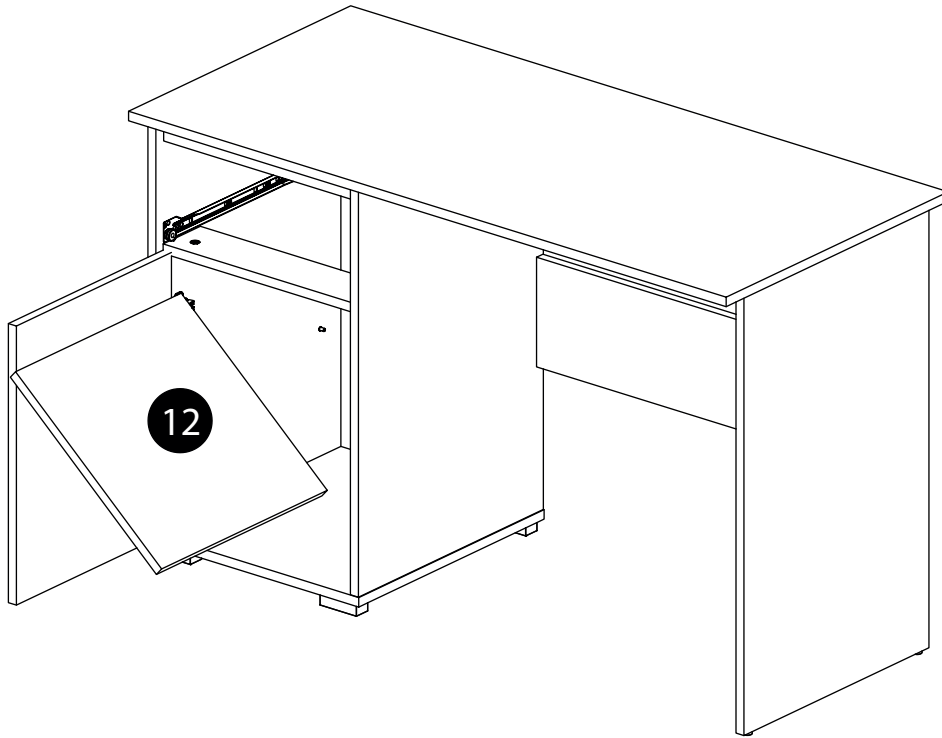
21.



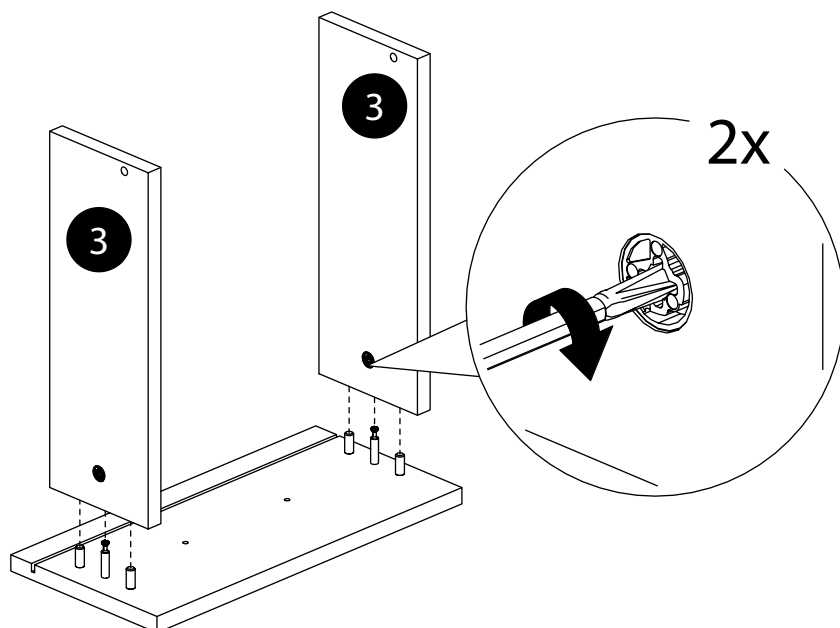
22.



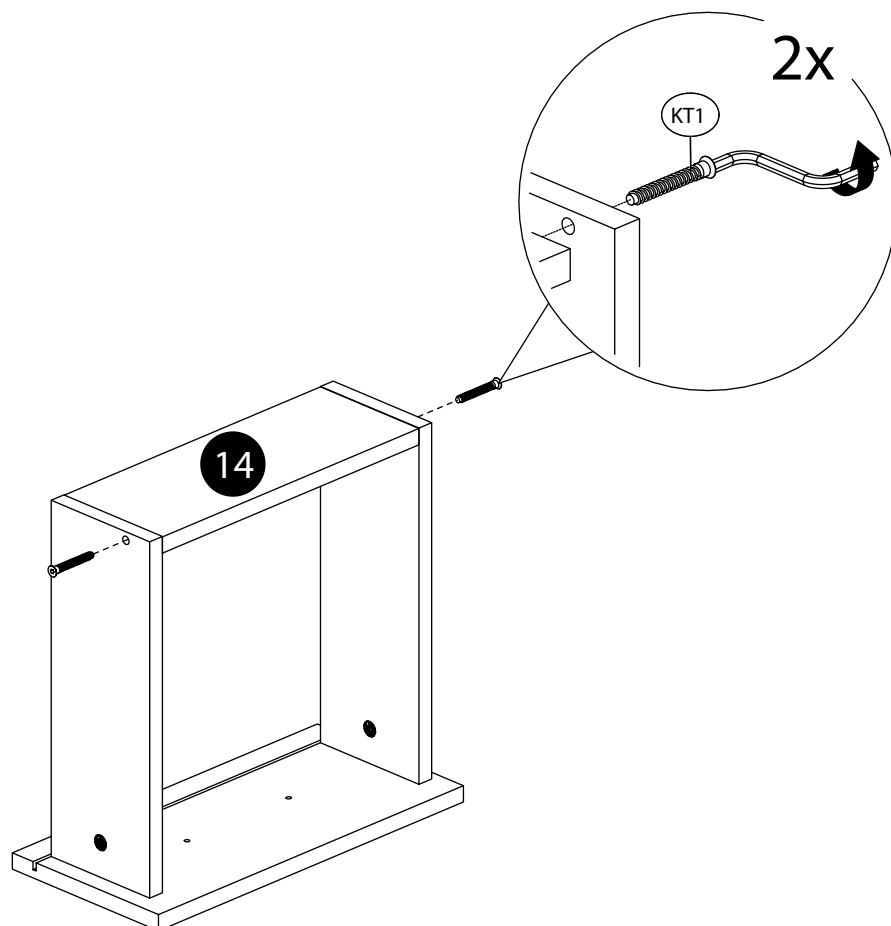
23.



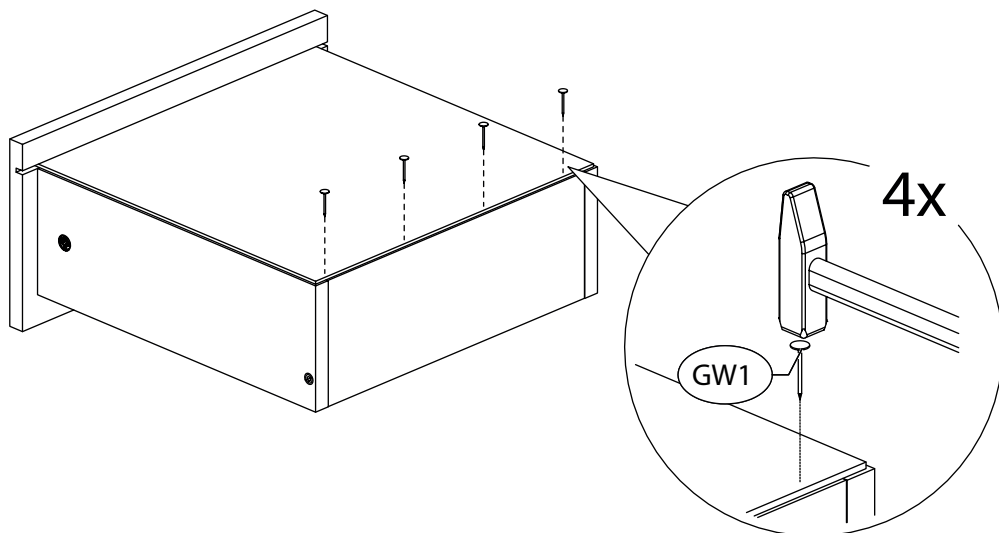
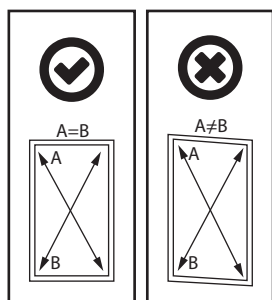
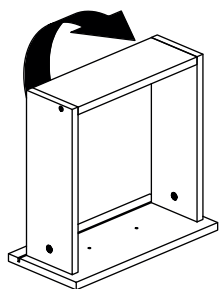
24.



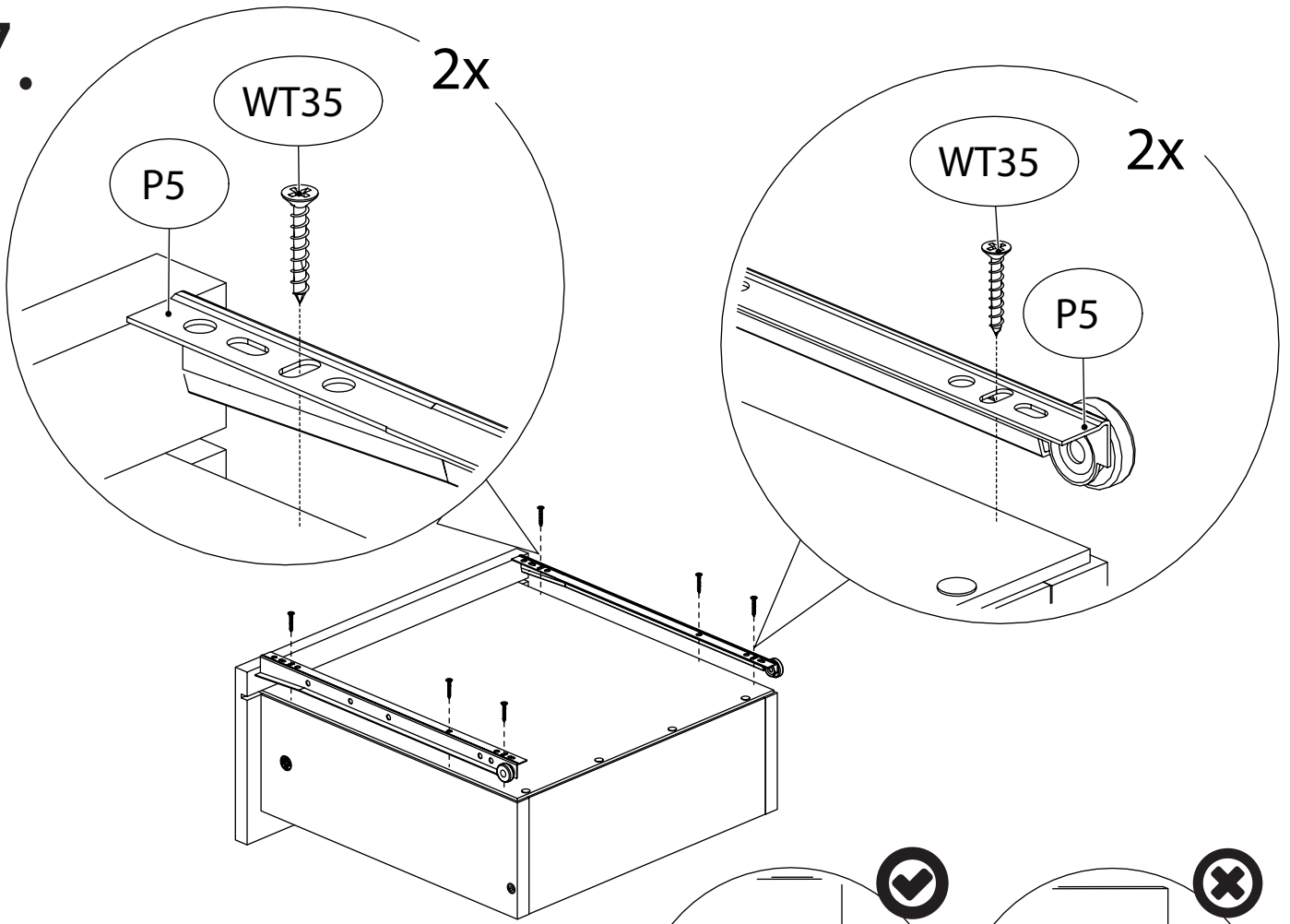
25.



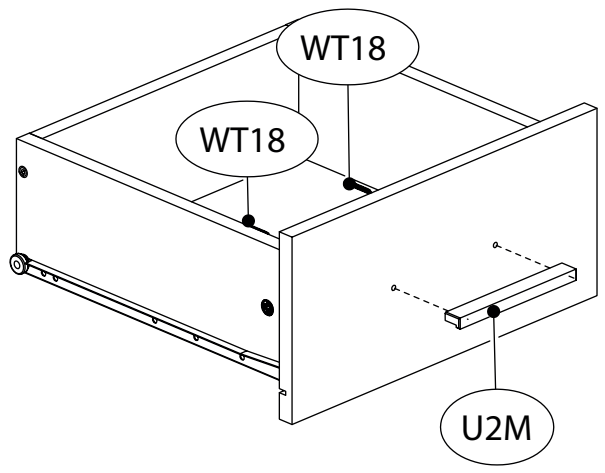
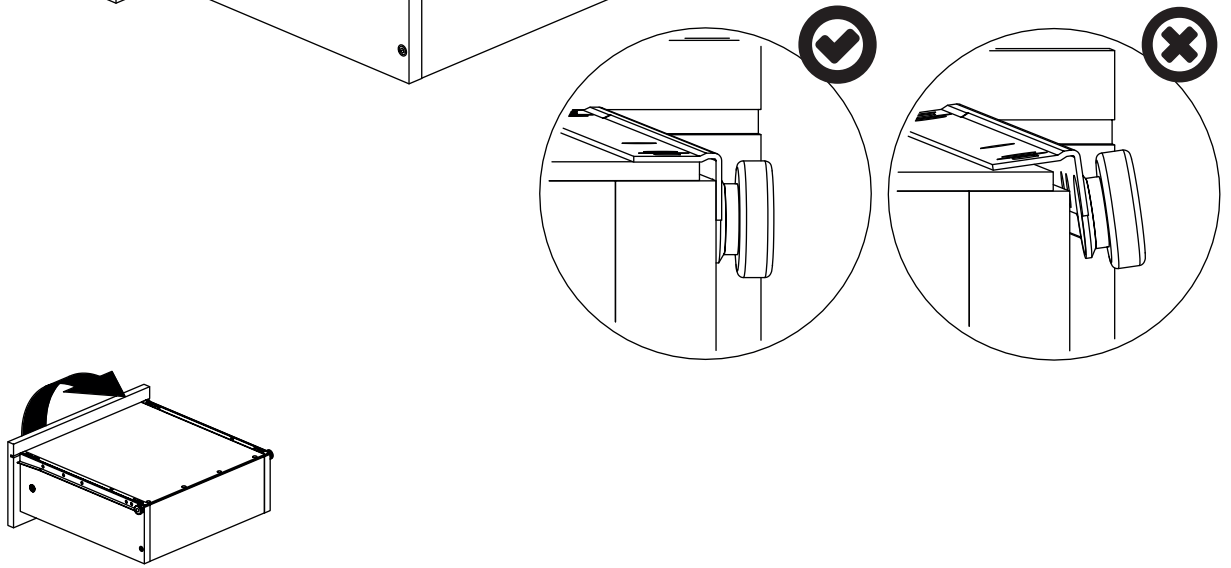
26.



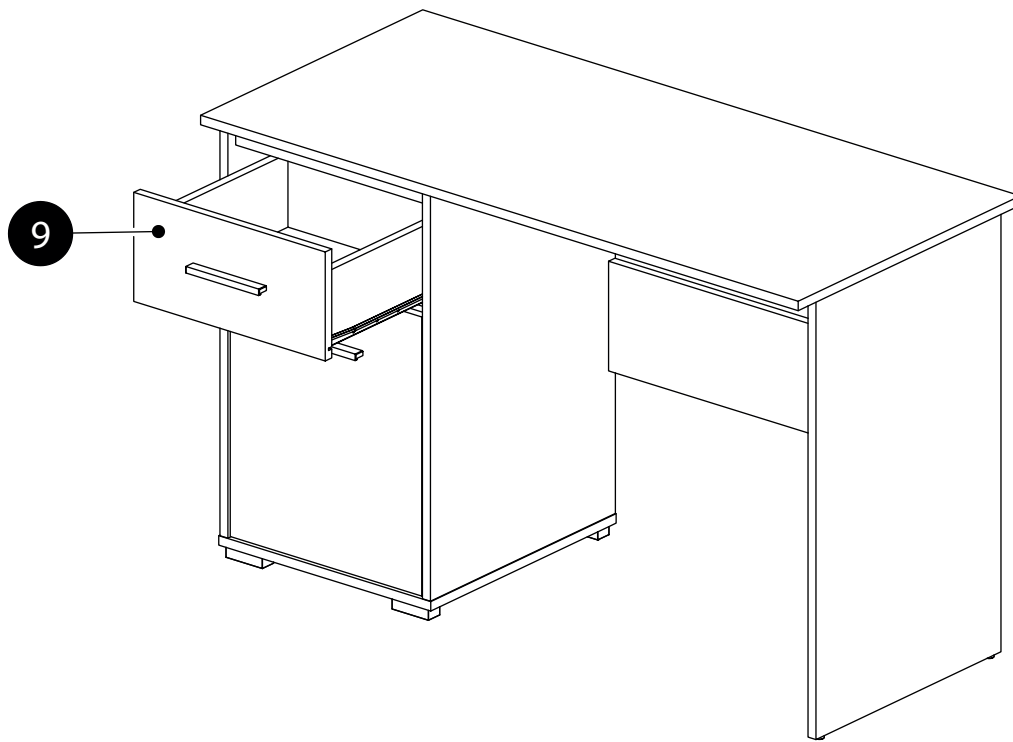
27.



29.



30.



31.

