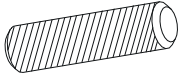
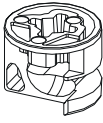



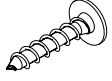
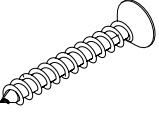
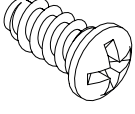

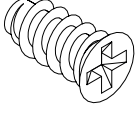



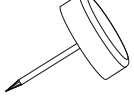

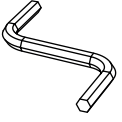
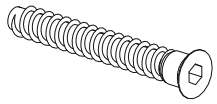
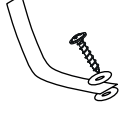



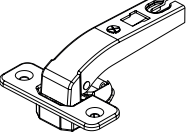
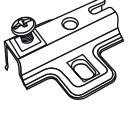
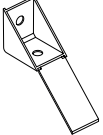
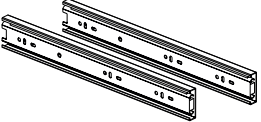
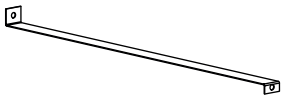
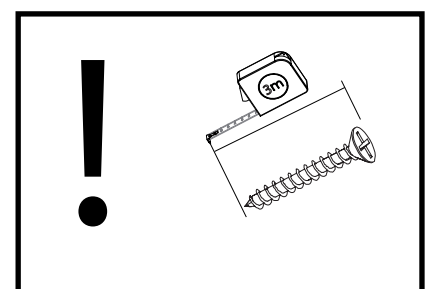
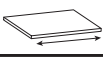
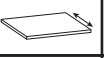
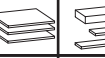



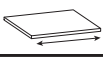
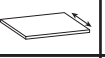
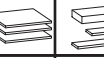

# CASTEL 08

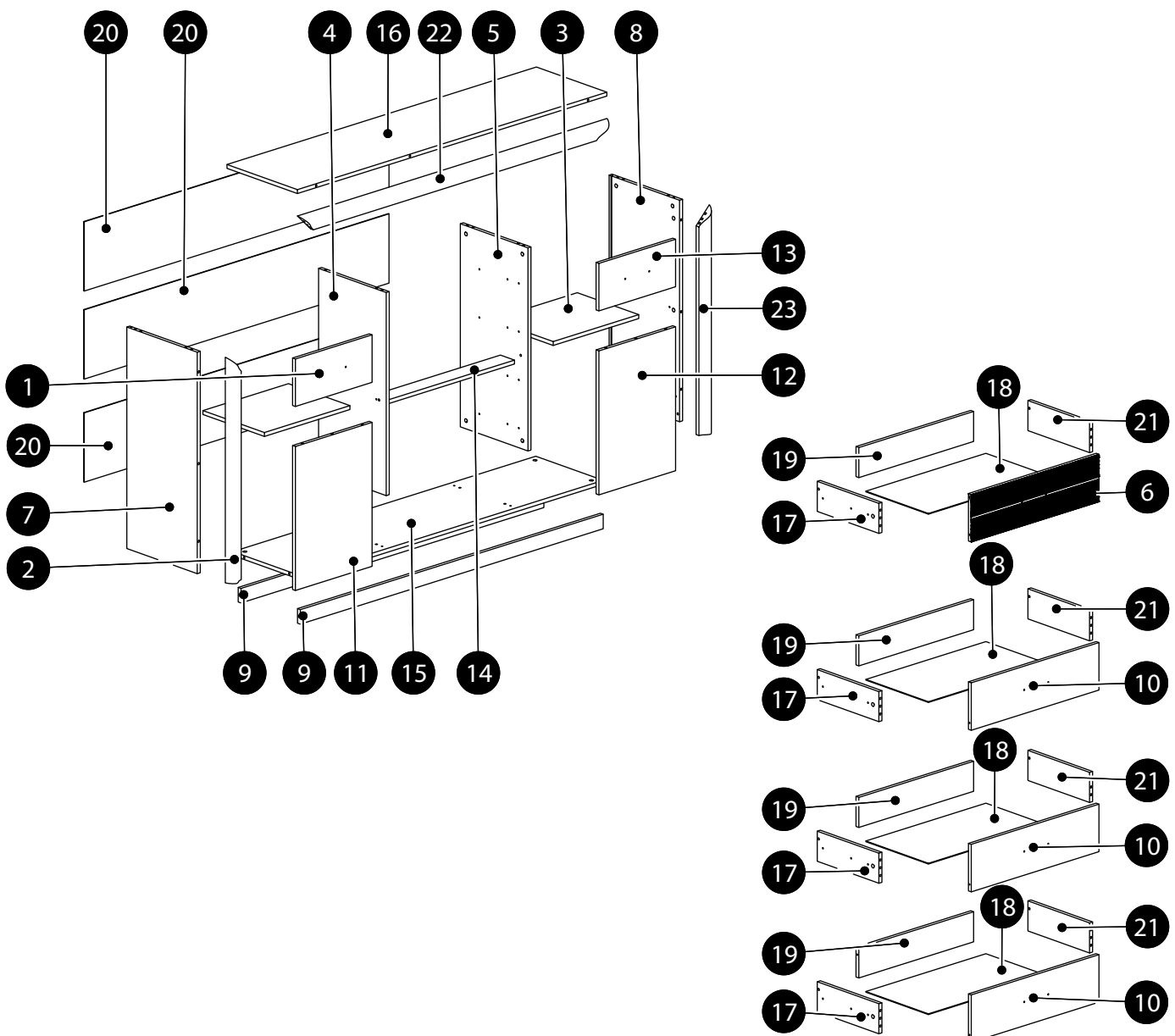
<p><b>K1</b> x 40 8x32</p> 	<p><b>B2</b> x 50 h-12</p> 	<p><b>ZD1</b> x 8 L68</p> 
<p><b>ZJ1</b> x 34 L-43</p> 	<p><b>ZS2</b> x 26 Ø20</p> 	<p><b>WT9</b> x 60 3x16</p> 
<p><b>WT18</b> x 12 4x30</p> 	<p><b>WE2</b> x 8 EK6,3x13B</p> 	<p><b>WT1</b> x 30 3,5x15</p> 
<p><b>WE7</b> x 24 ES6,3x13KBH</p> 	<p><b>GW1</b> x 30 1,4x25</p> 	<p><b>PO2</b> x 8 Ø5</p> 
<p><b>SP</b> x 8</p> 	<p><b>SG1</b> x 8</p> 	<p><b>TUD2</b> x 6 8,2x12x3</p> 
<p>x 1</p> 	<p><b>KT1</b> x 10 6,3x50</p> 	<p><b>PZK</b> x 1</p> 
<p><b>U3</b> x 6 L-148</p> 	<p><b>KL</b> x 1</p> 	<p><b>KW7</b> x 2 50x50</p> 
<p><b>ZP8</b> x 4 ROWN</p> 	<p><b>PK3</b> x 4 H-2</p> 	<p><b>PO4</b> x 2</p> 
<p><b>P1</b> x 4 L-350</p> 	<p><b>WS1</b> x 4 L-350</p> 	

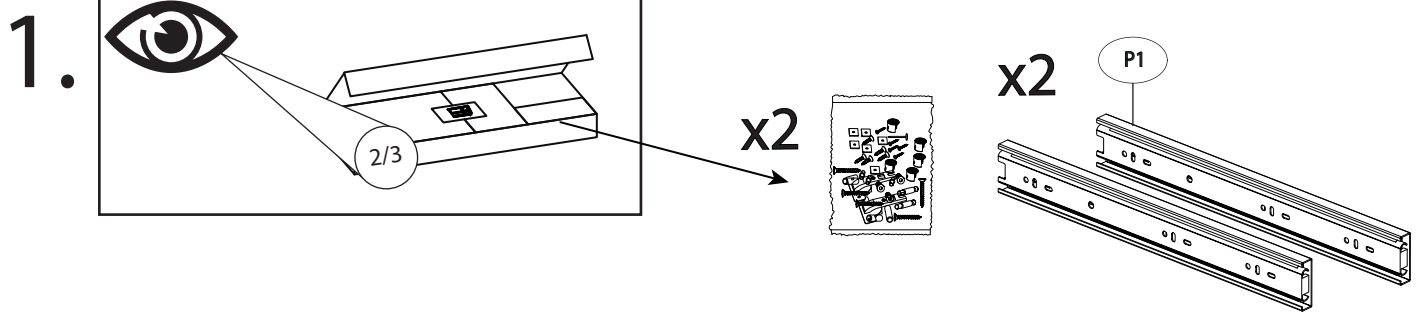


# CASTEL 08

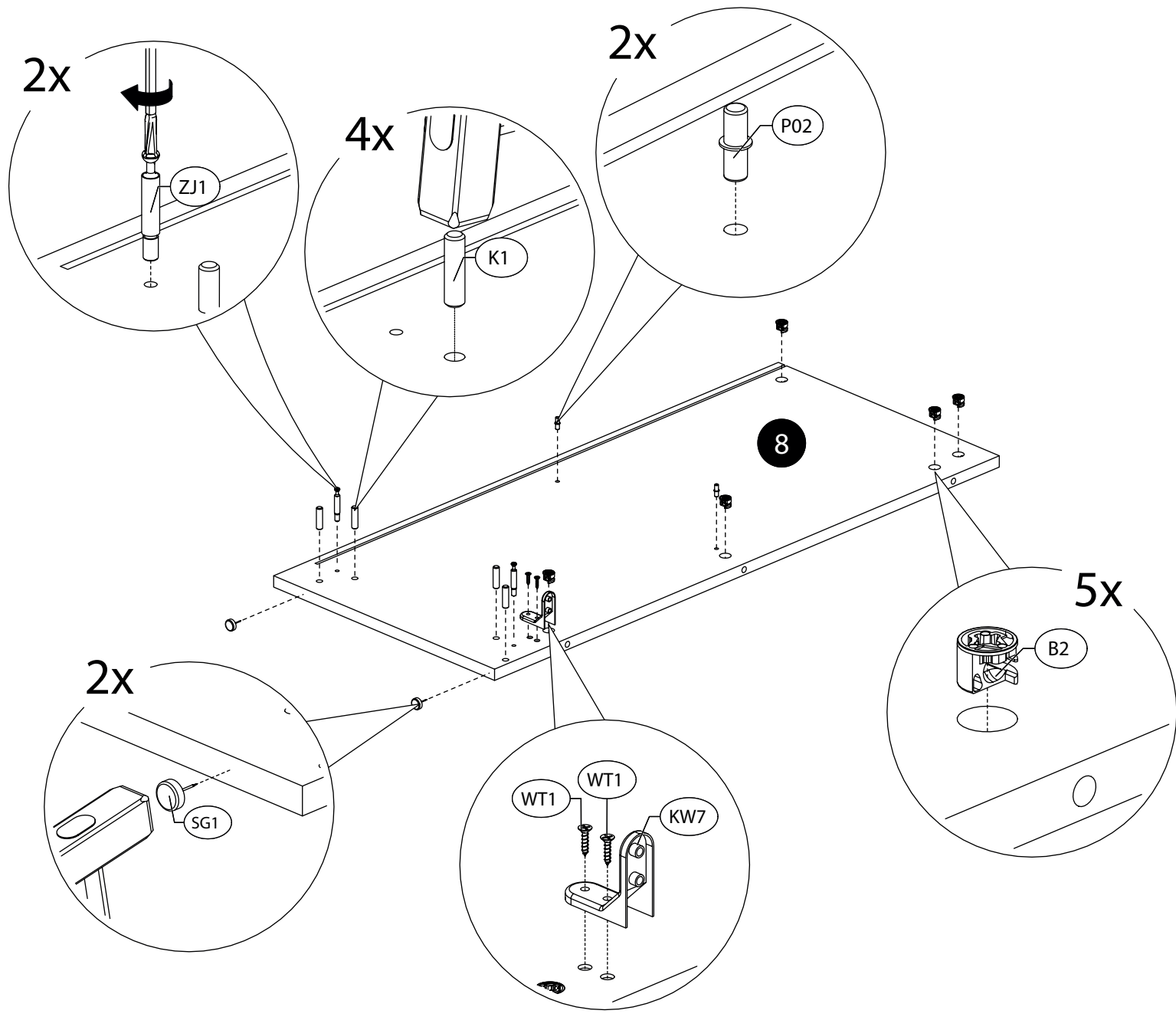
	CODE				
1	Castel08_16	409	196	1	2/3
2	Castel08_19	931	70	1	3/3
3	Castel08_10	456	349	2	1/3
4	Castel08_03	838	383	1	2/3
5	Castel08_04	838	383	1	2/3
6	Castel08_17	681	196	1	2/3
7	Castel08_01	914	400	1	2/3
8	Castel08_02	914	400	1	1/3
9	Castel08_15	1615	60	2	2/3
10	Castel08_13	681	196	1	2/3
11	Castel08_11	409	594	1	2/3

	CODE				
12	Castel08_12	409	594	1	2/3
13	Castel08_18	409	196	1	2/3
14	Castel08_14	669	80	1	2/3
15	Castel08_05	1615	384	1	1/3
16	Castel08_06	1650	400	1	1/3
17	Castel08_07	350	124	4	1/3
18	Castel08HDF_02	641	355	4	1/3
19	Castel08_09	612	124	4	1/3
20	Castel08HDF_01	1625	286	3	1/3
21	Castel08_08	350	124	4	1/3
22	Castel08_21	1650	70	1	3/3
23	Castel08_20	931	70	1	3/3

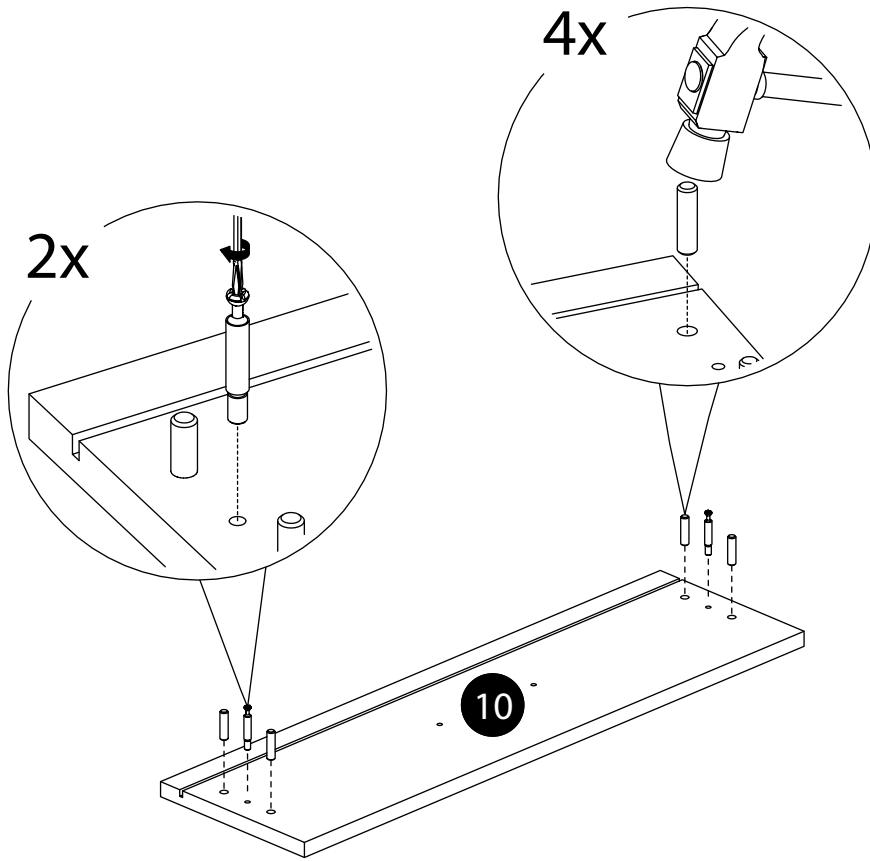




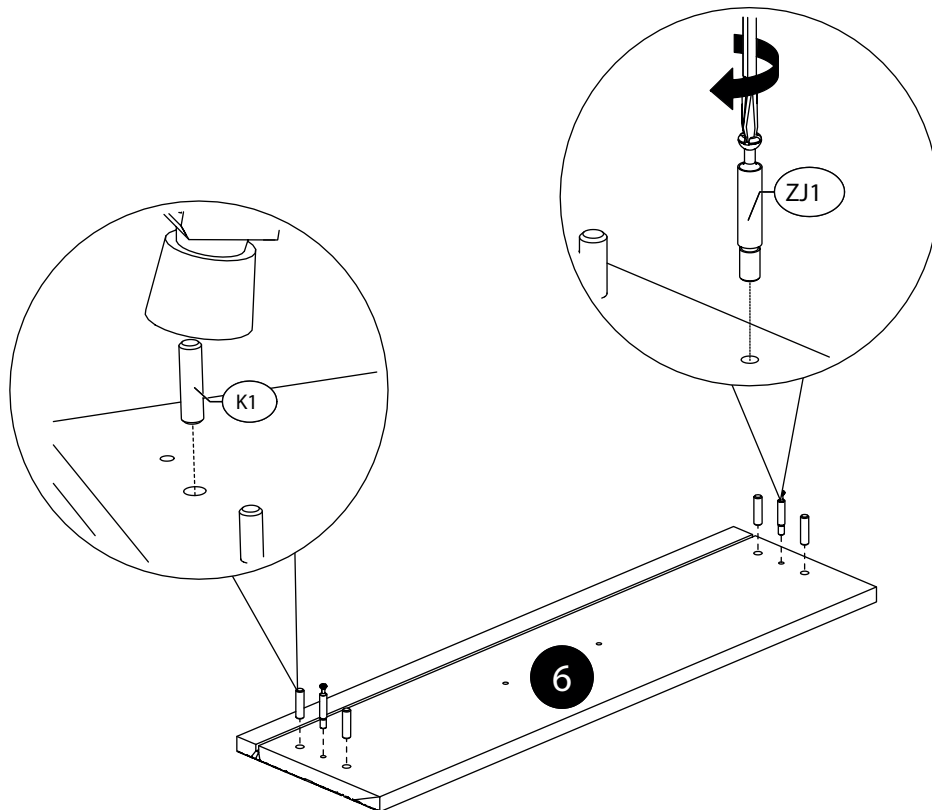
2.



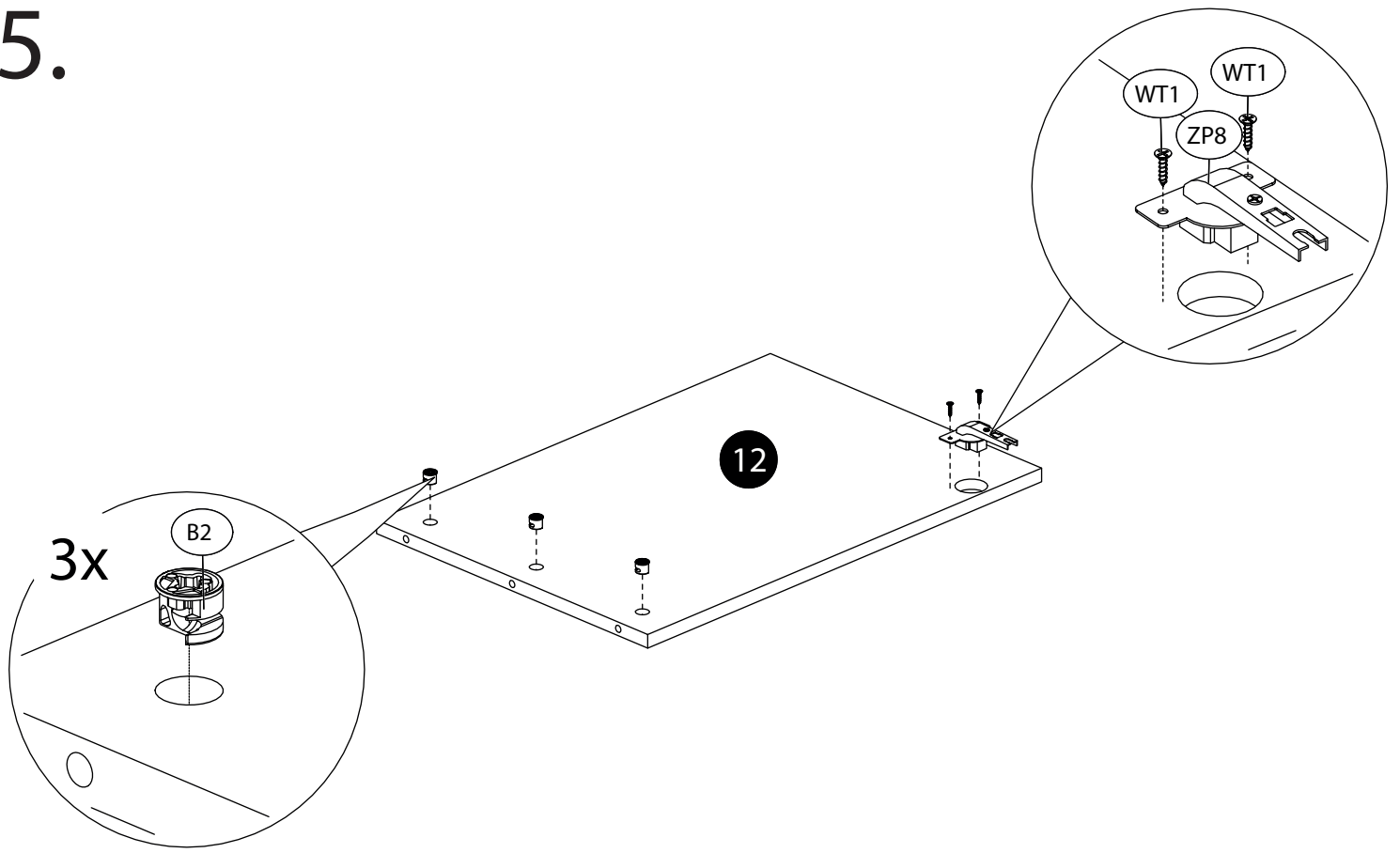
3.



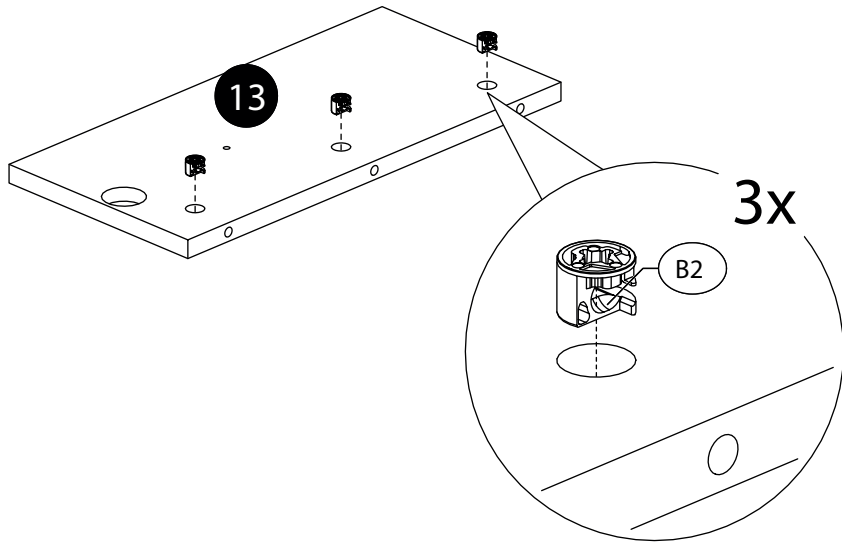
4.



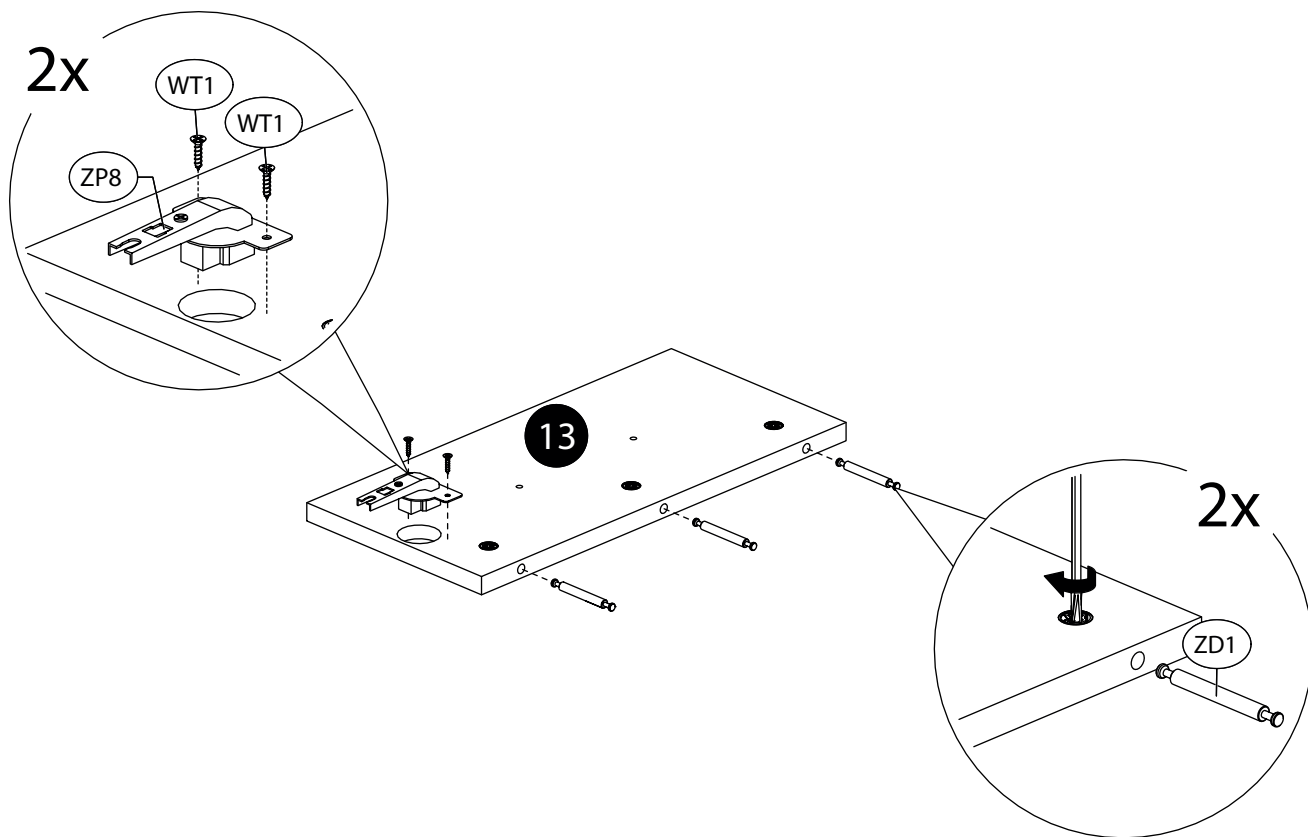
5.



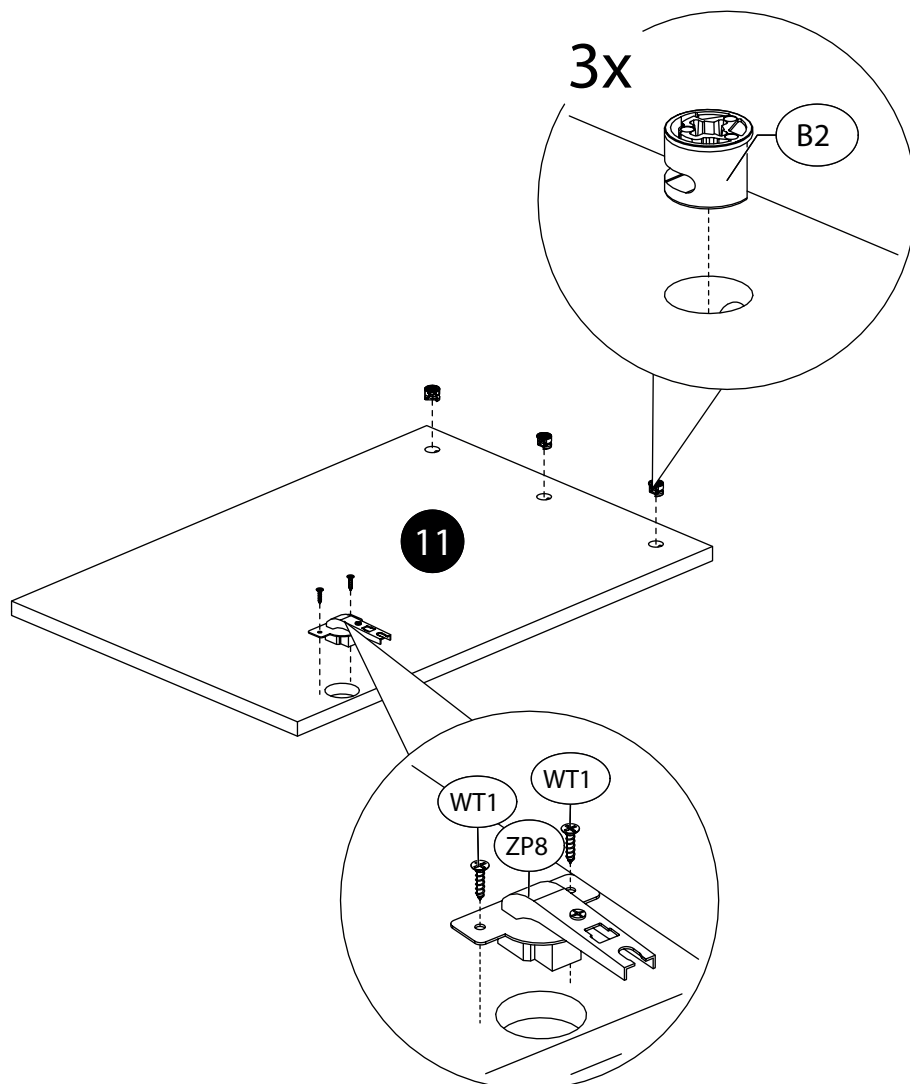
6a.



6b.

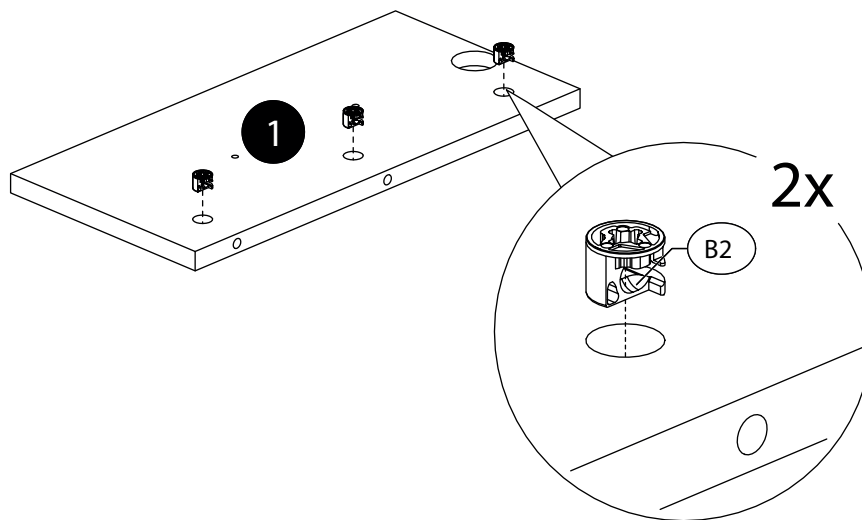


7.

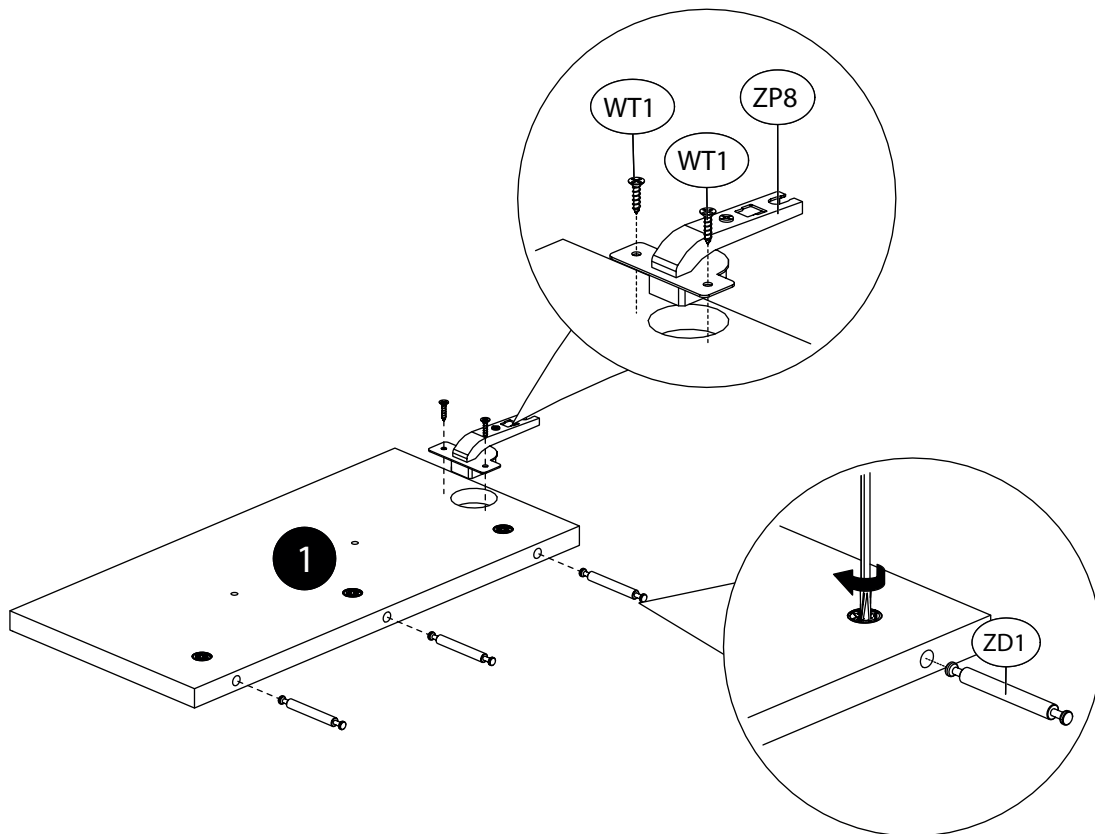




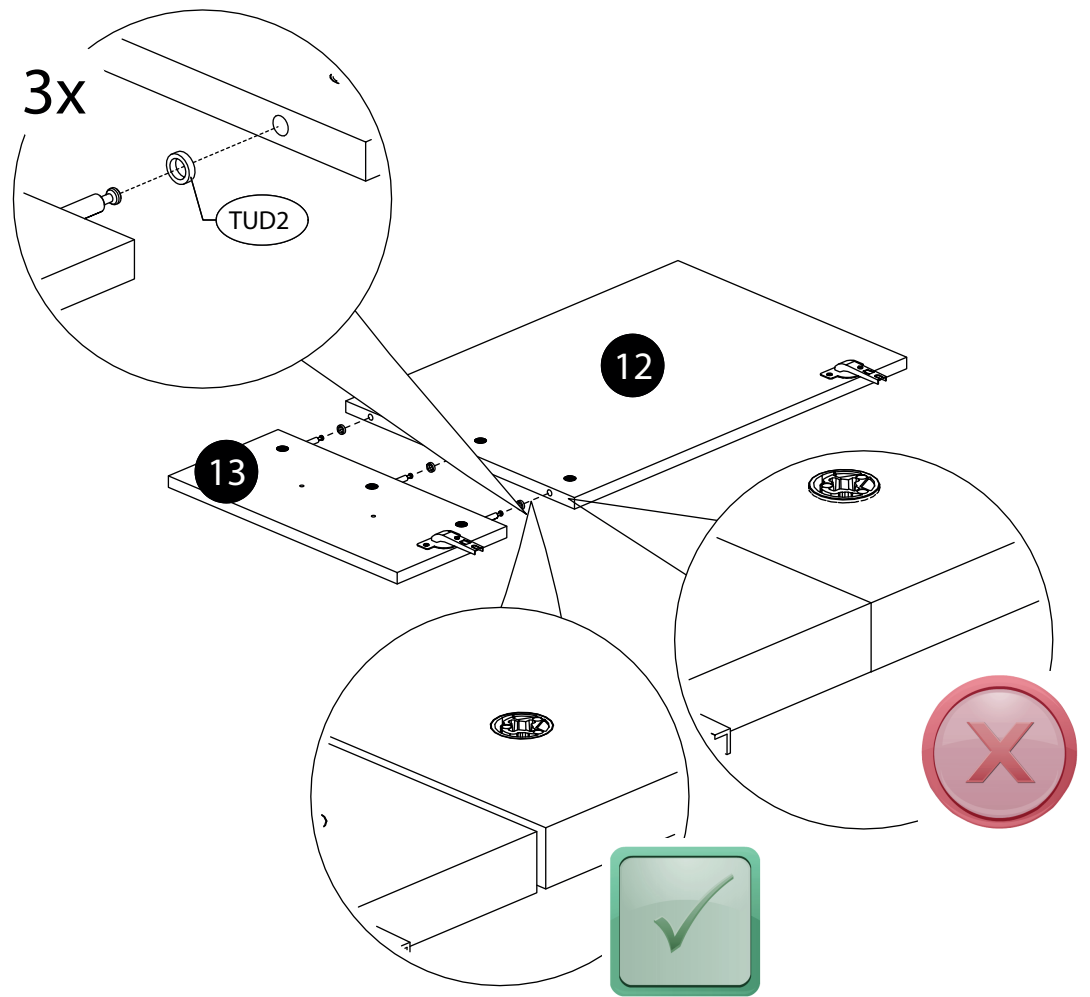
8a.



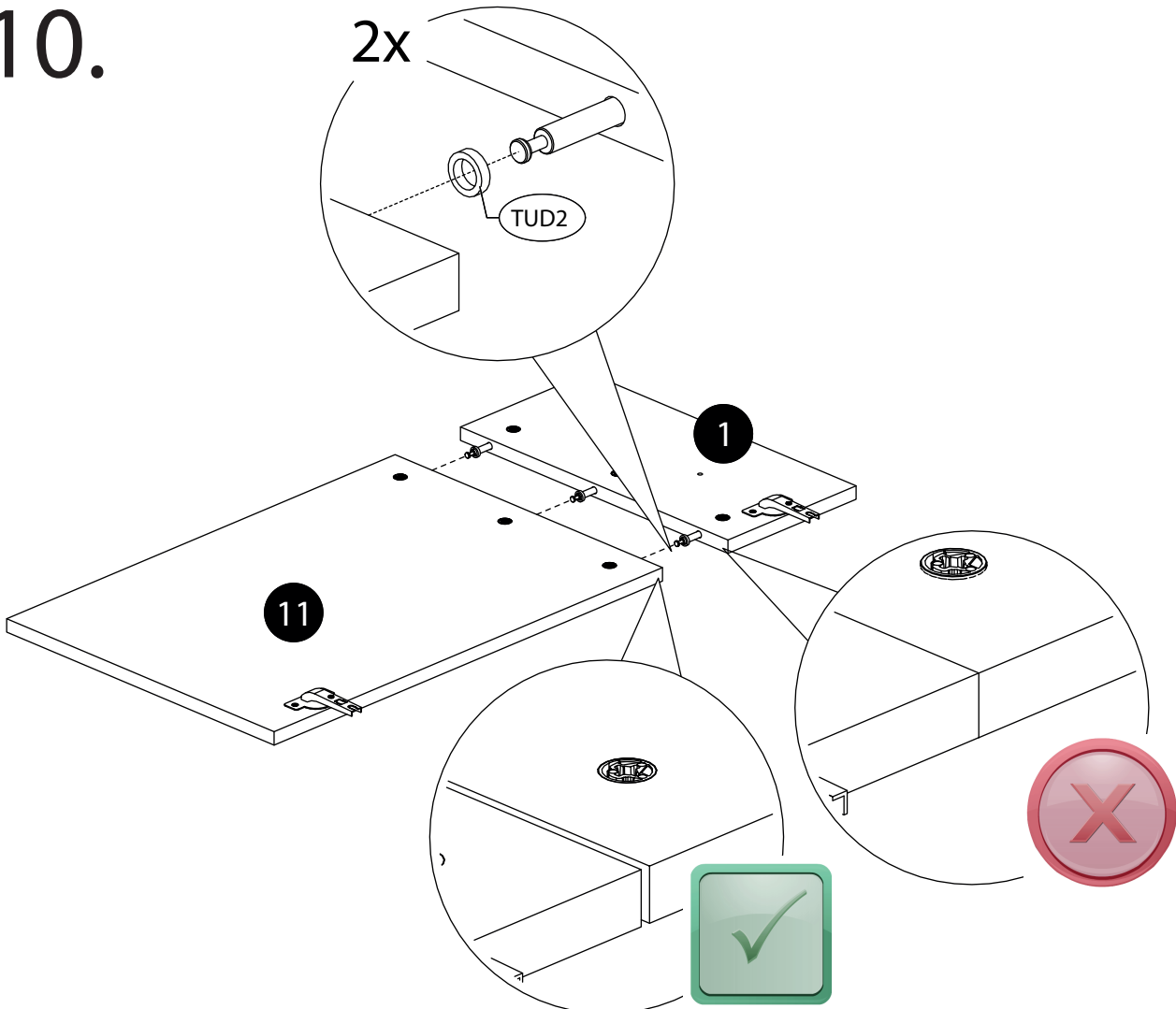
8b.



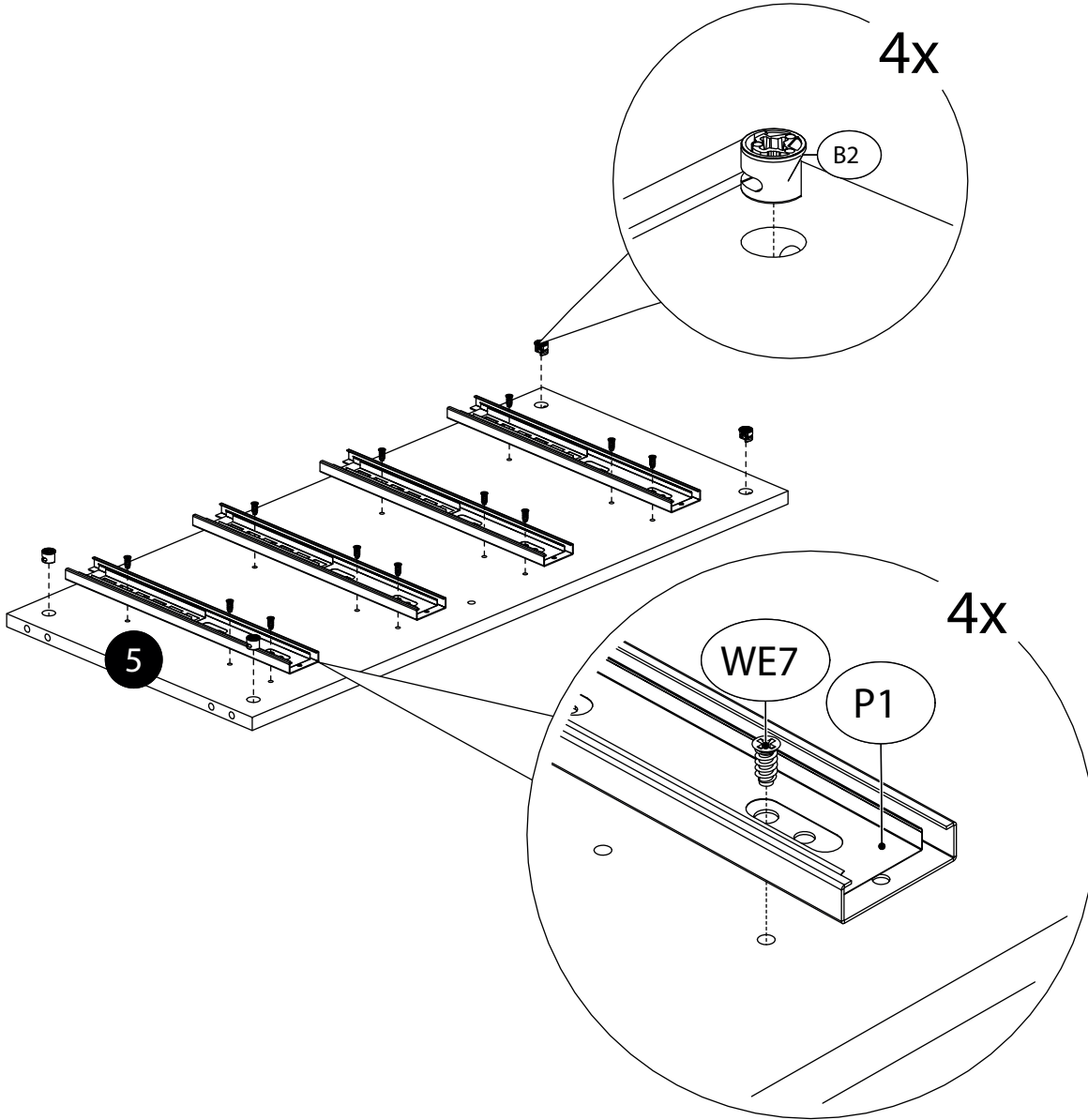
9.



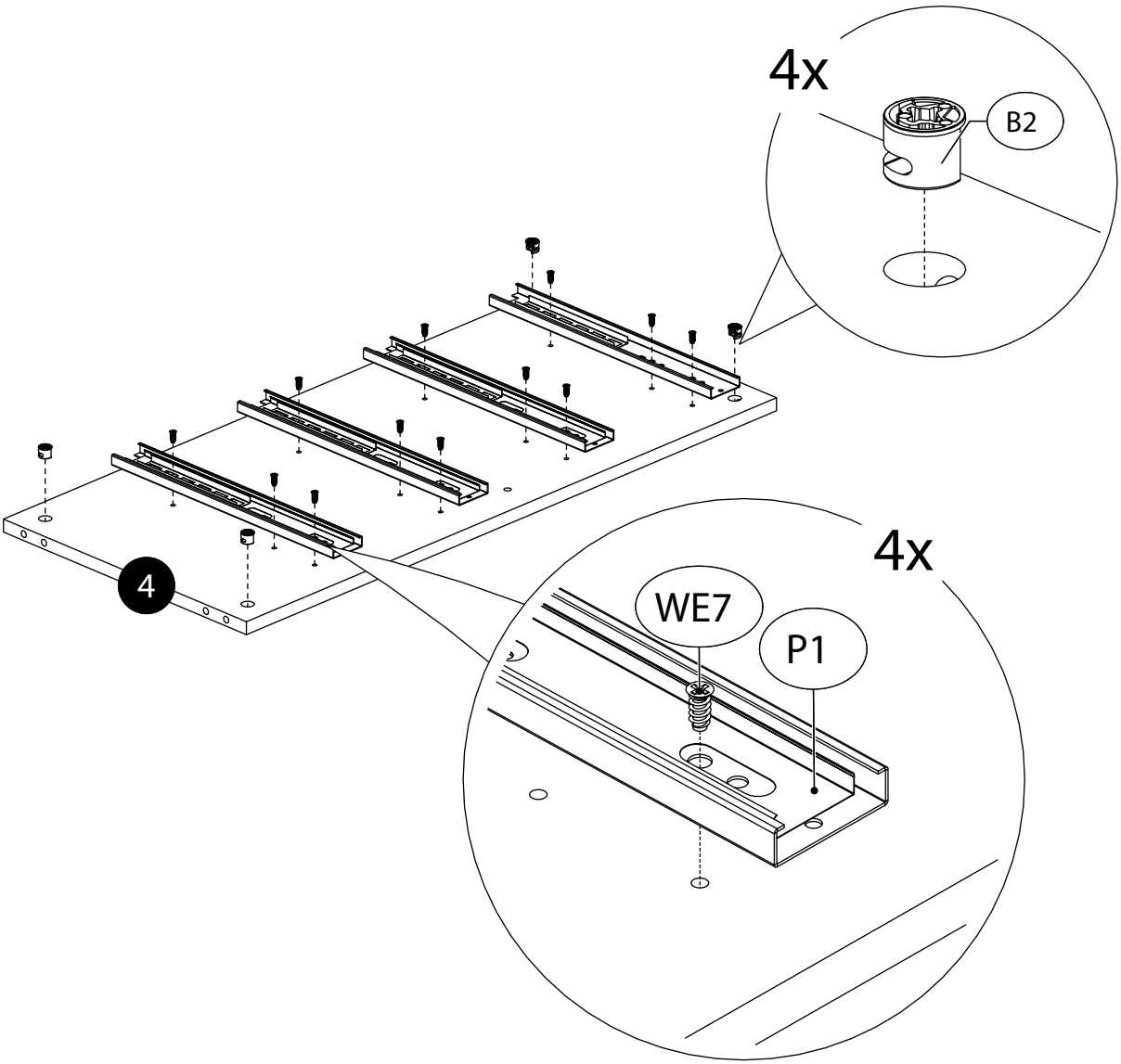
10.



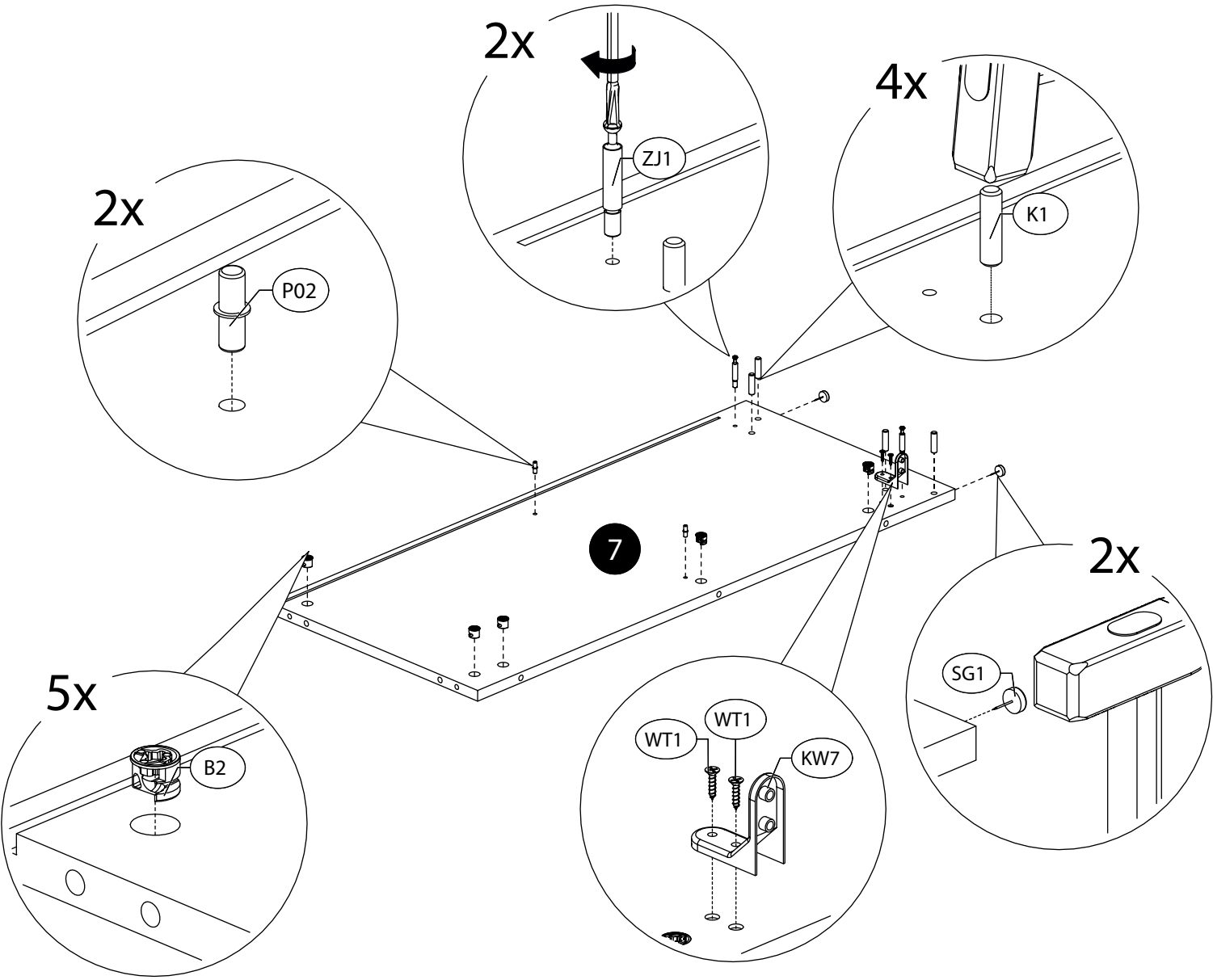
# 11.



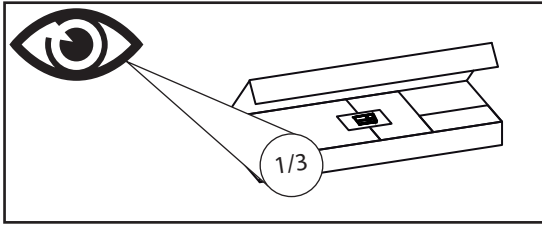
# 12.



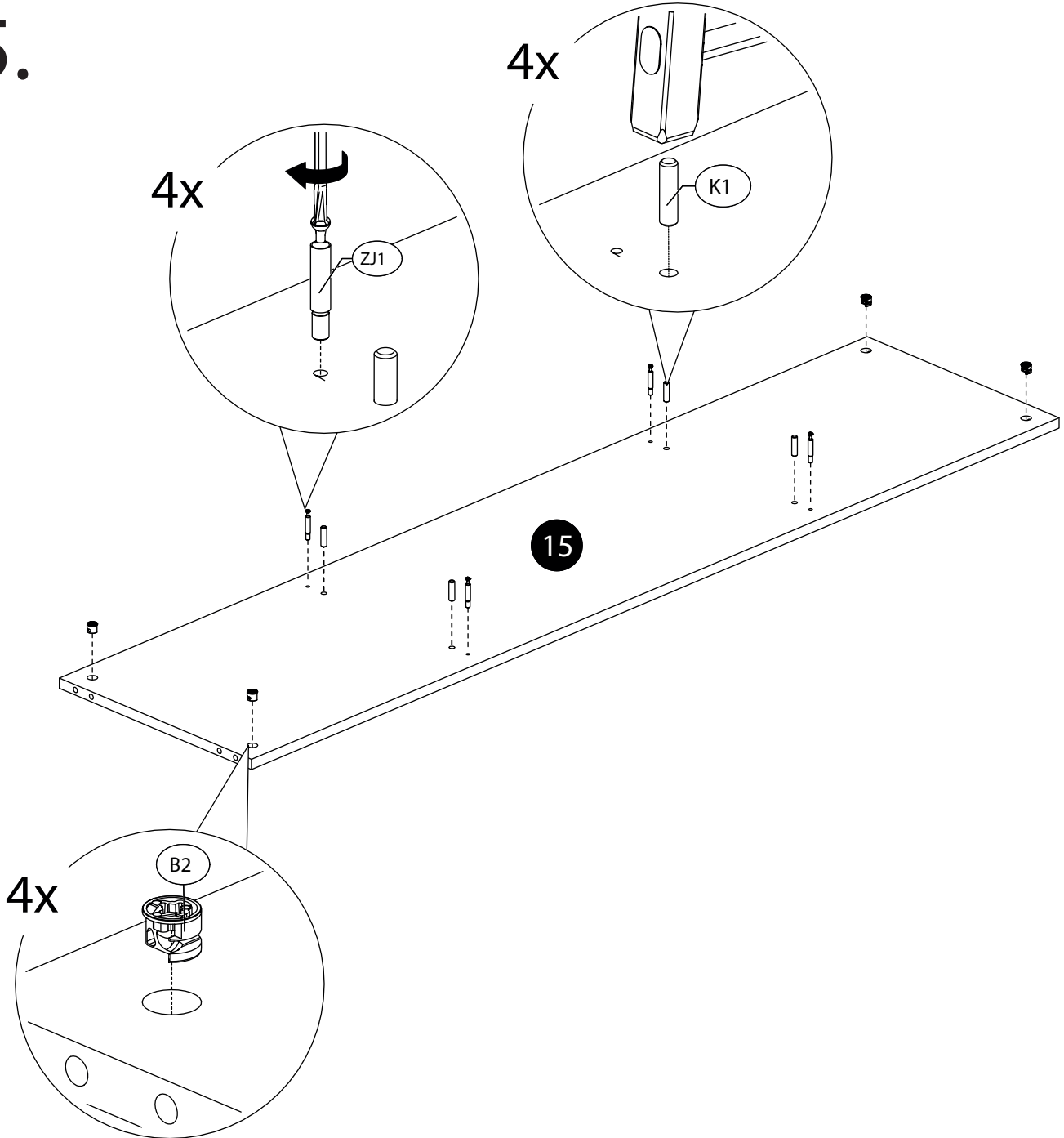
# 13.



14.

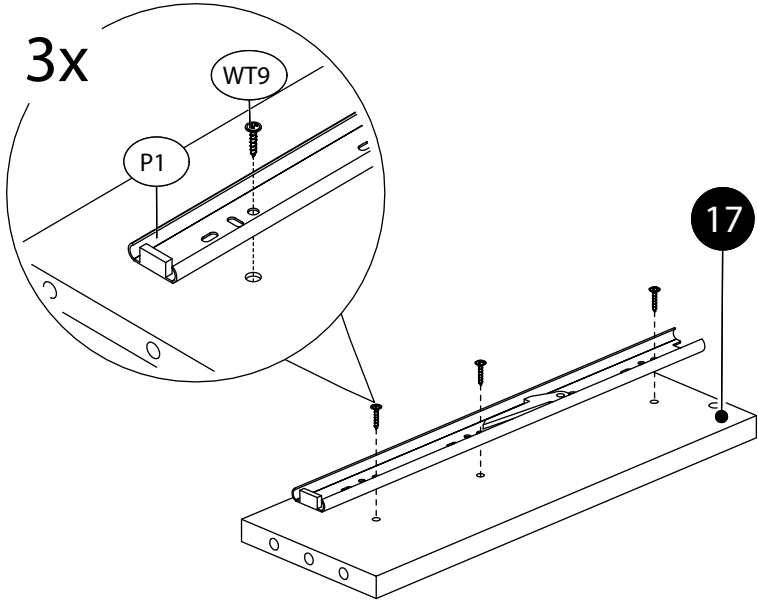


15.



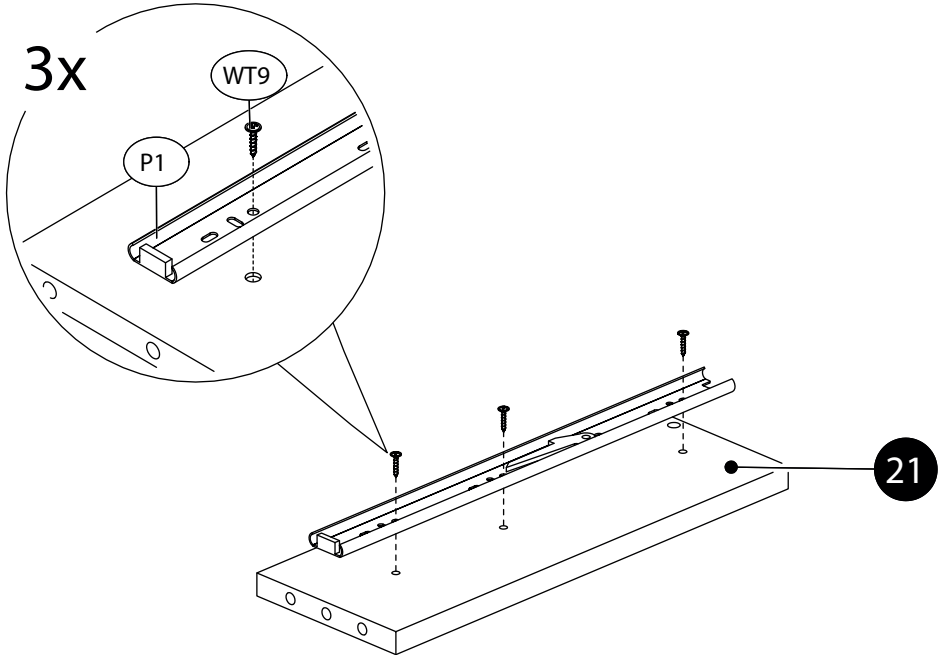
16.

x4

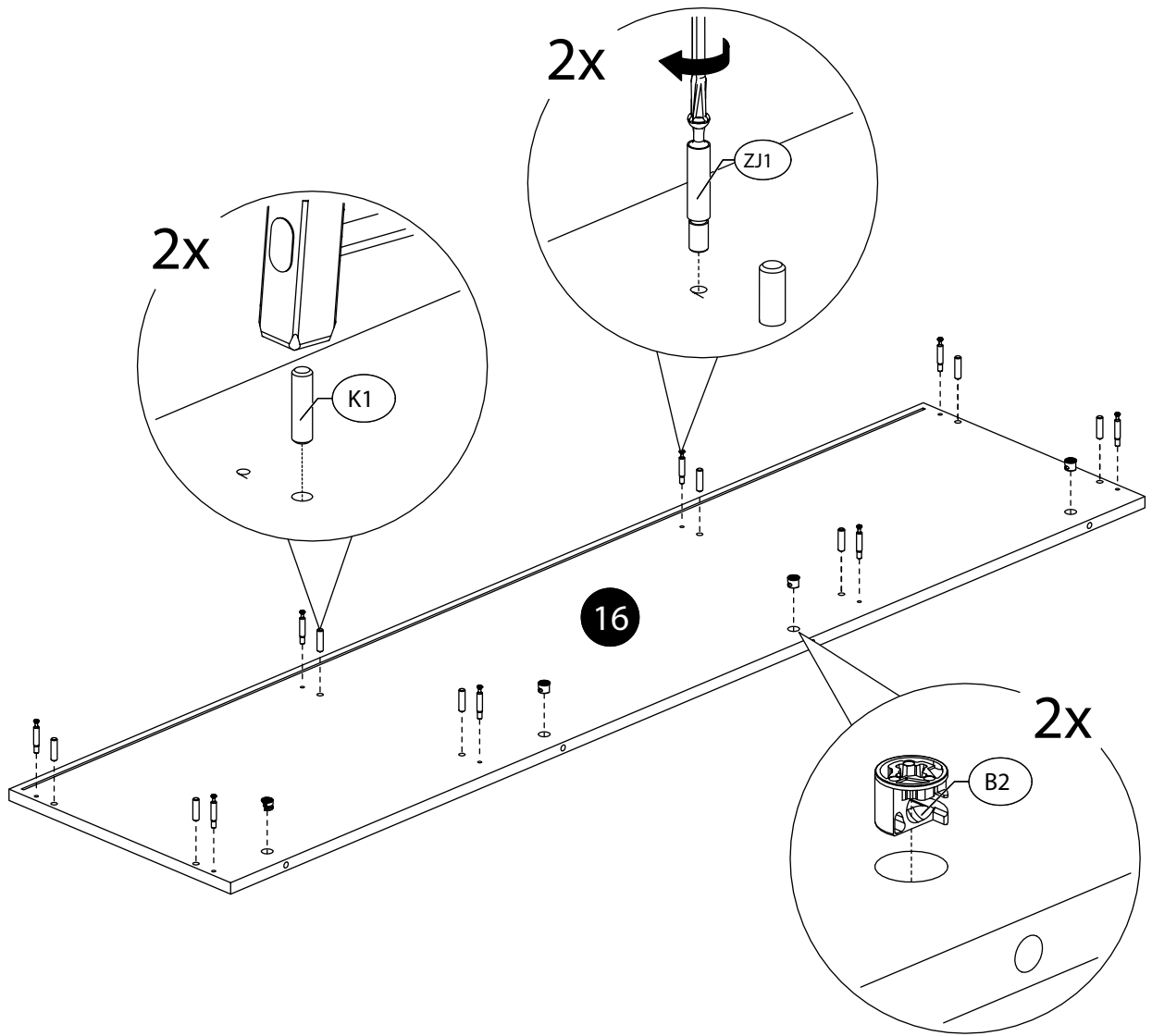


17.

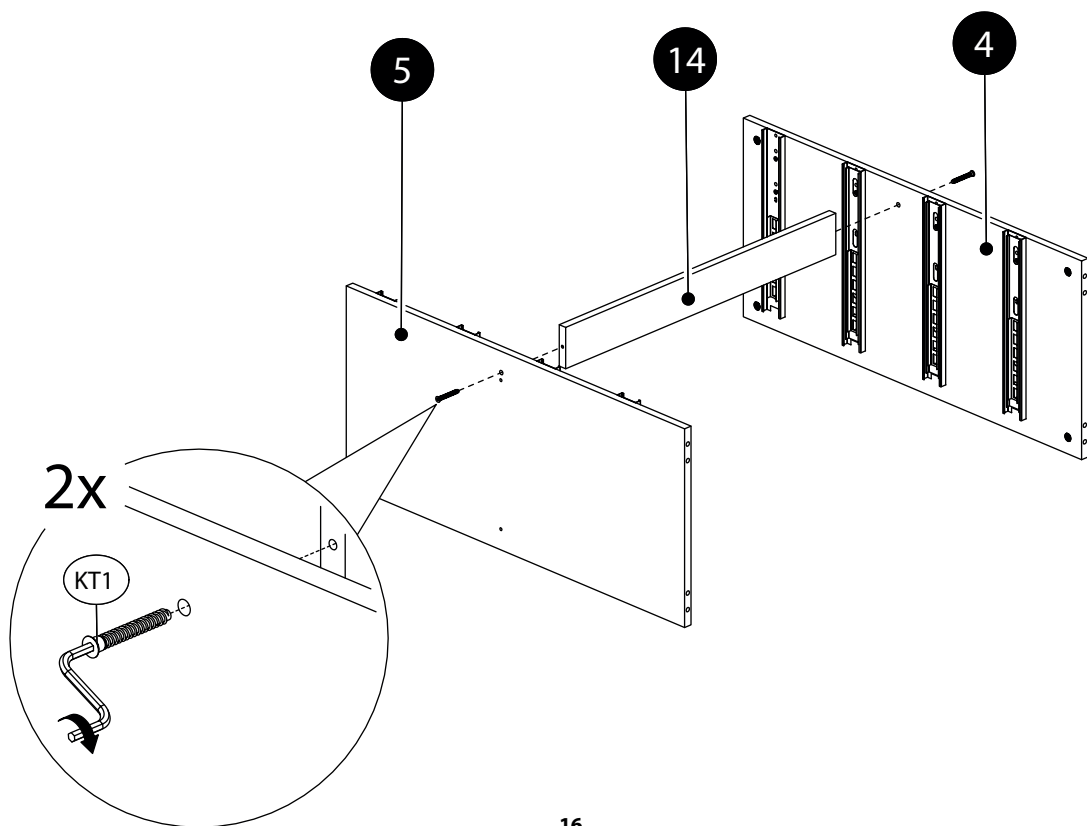
x4



18.

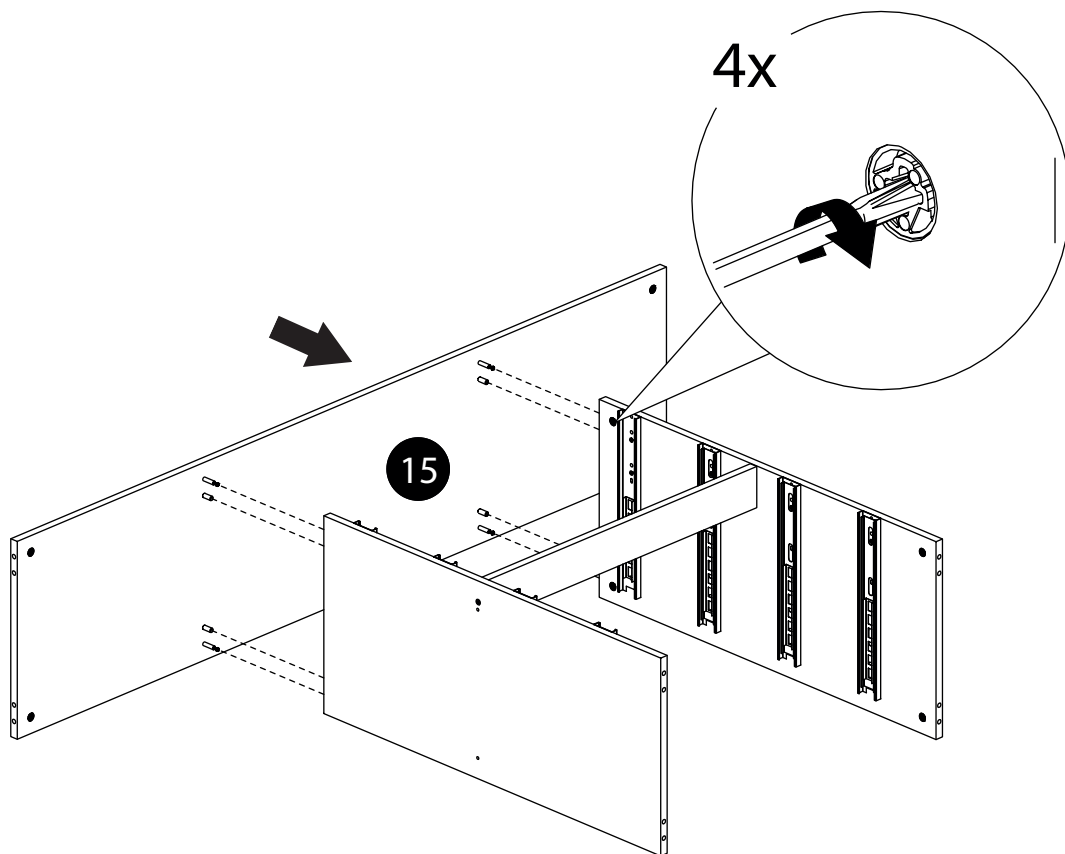


19.

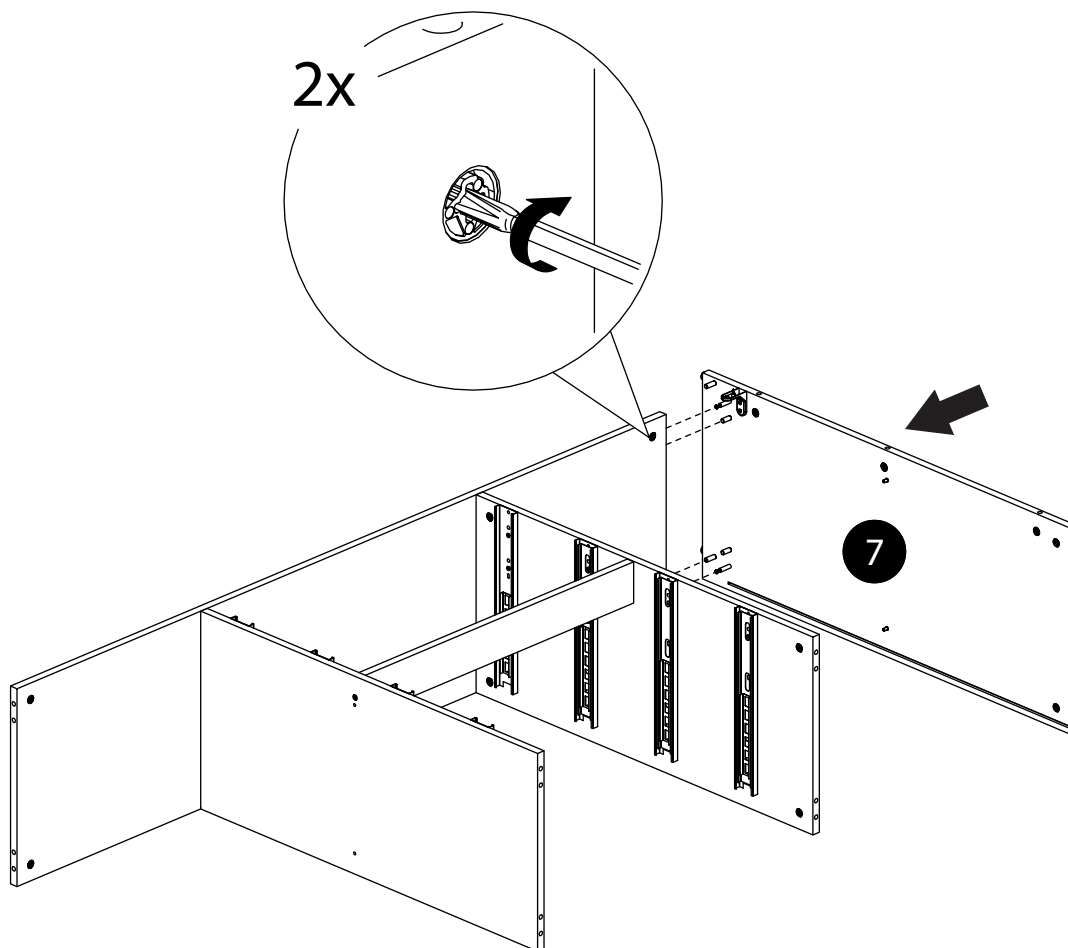




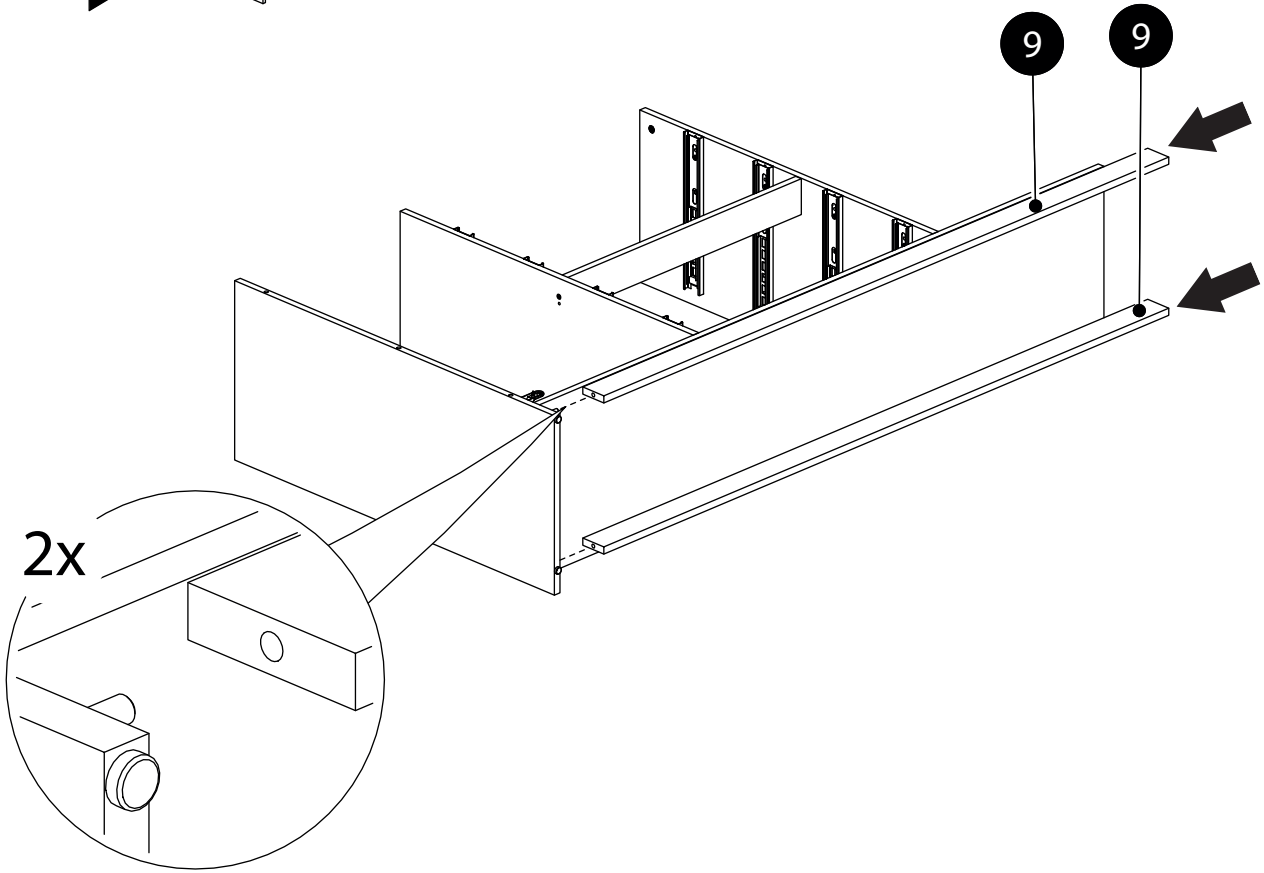
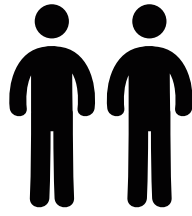
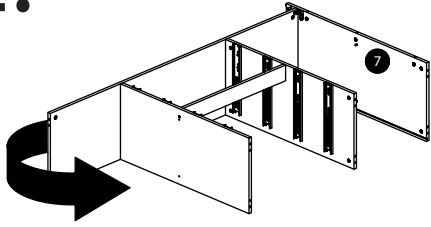
20.



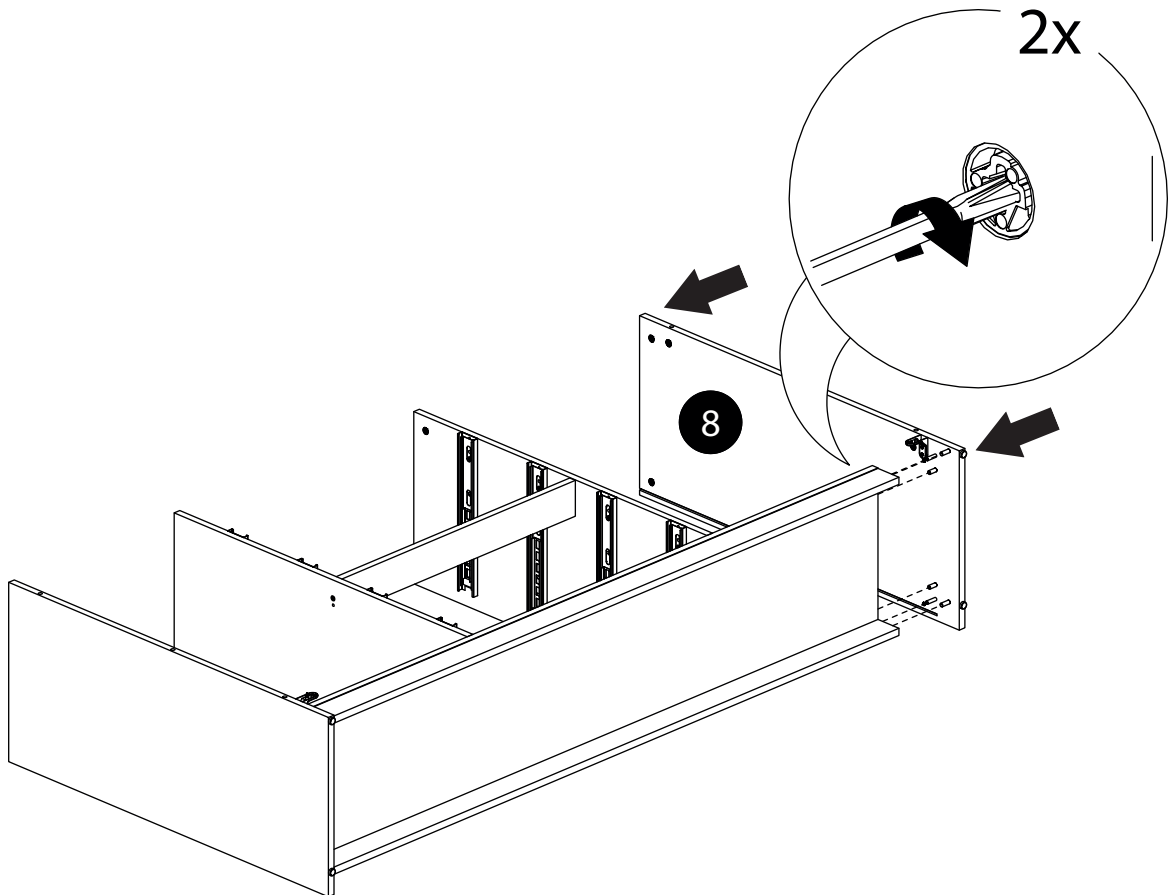
21.



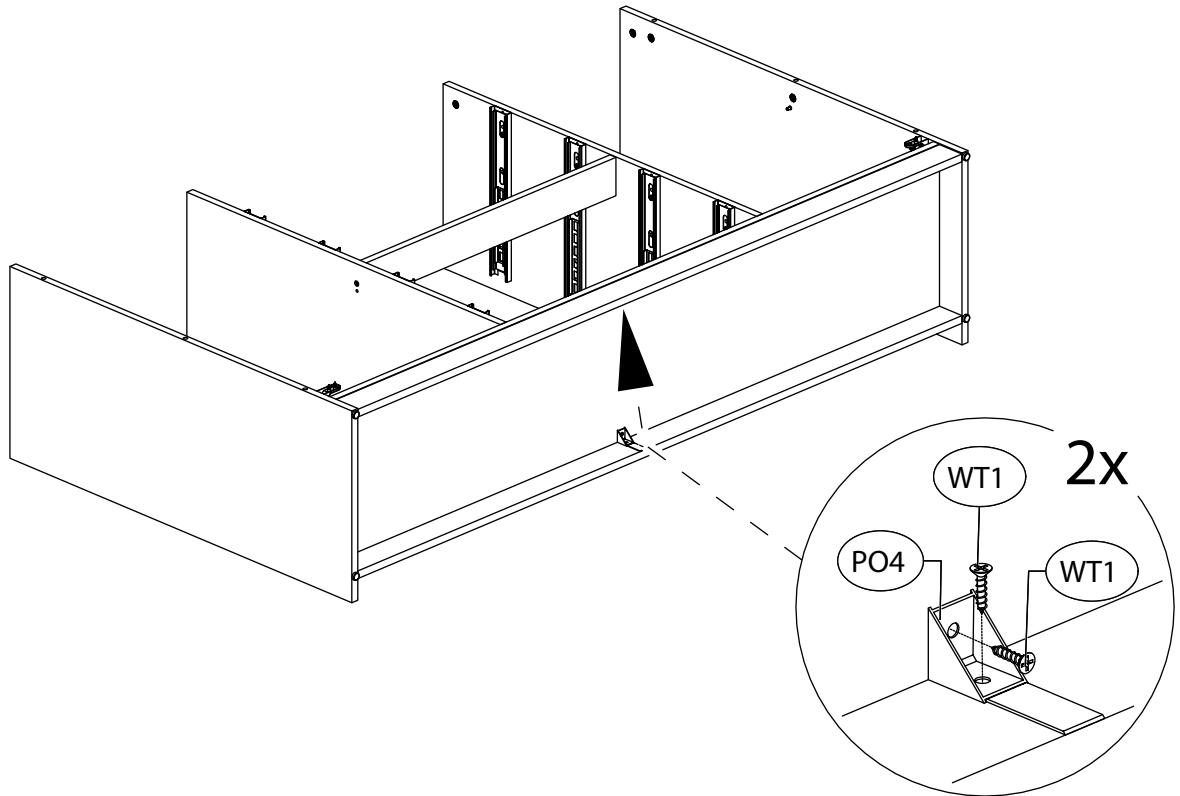
22.



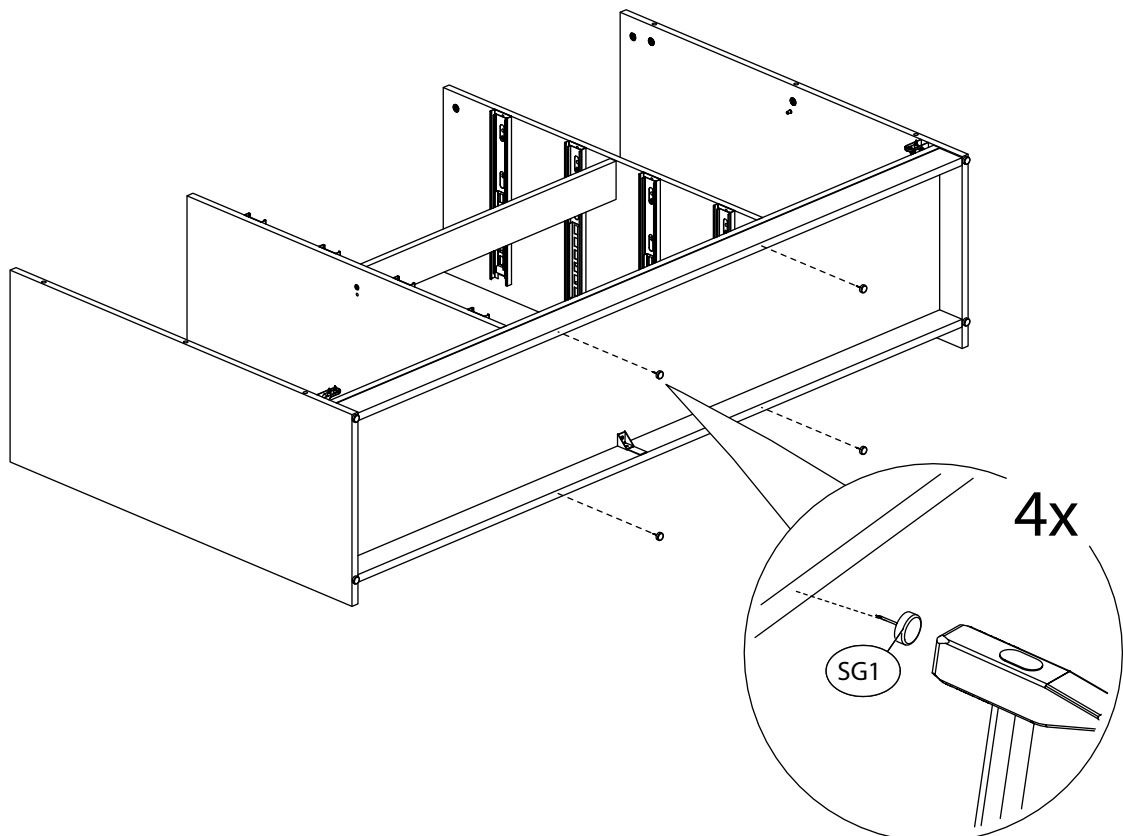
23.



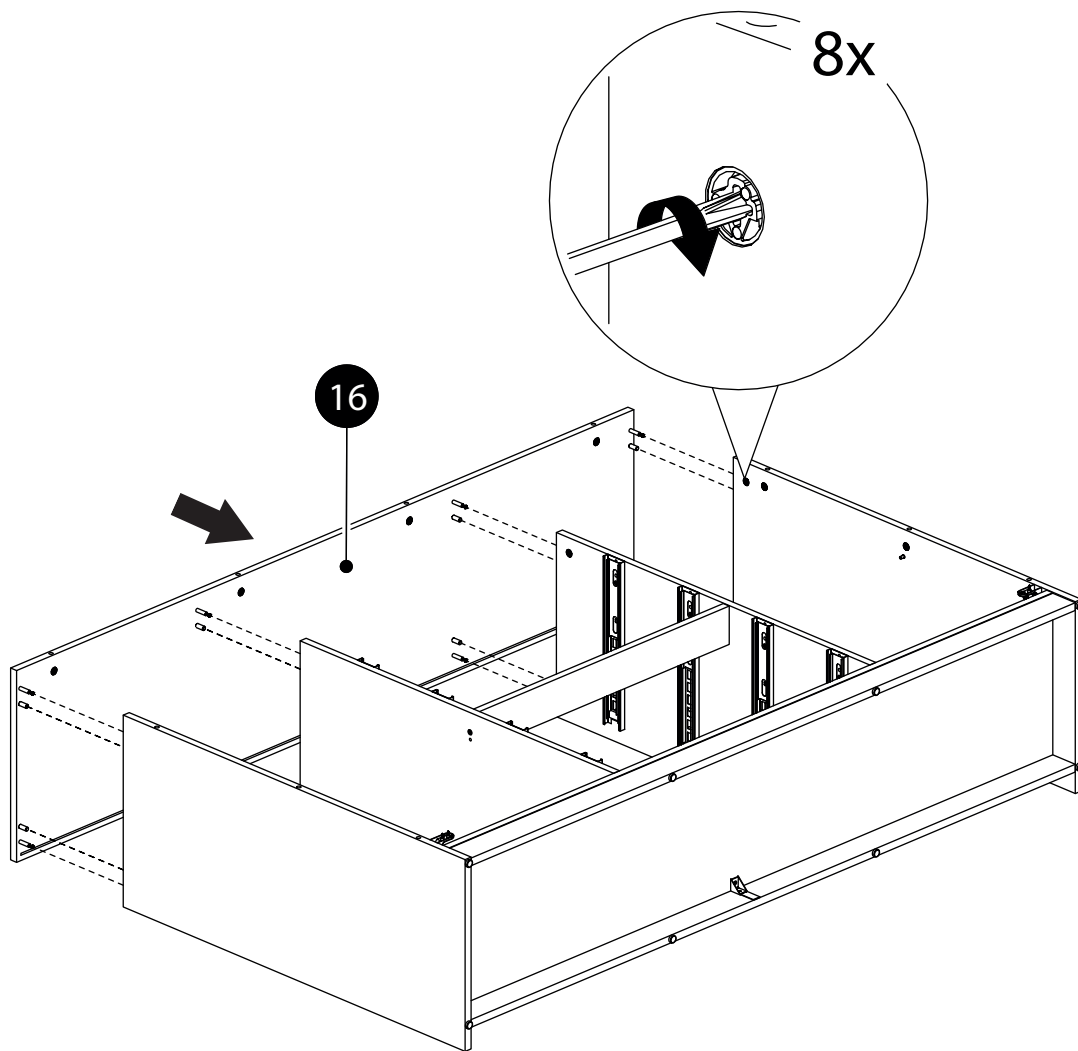
24.



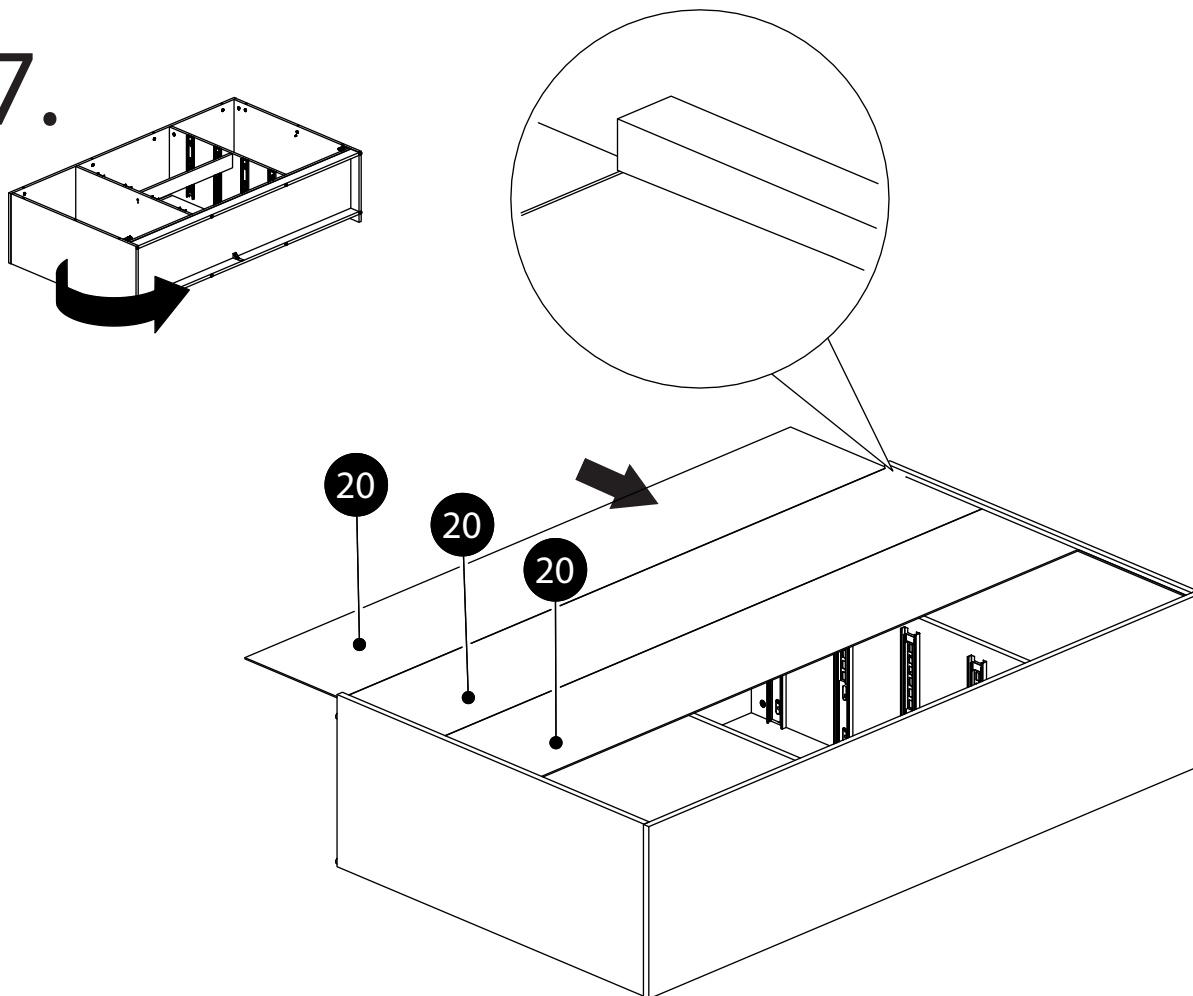
25.



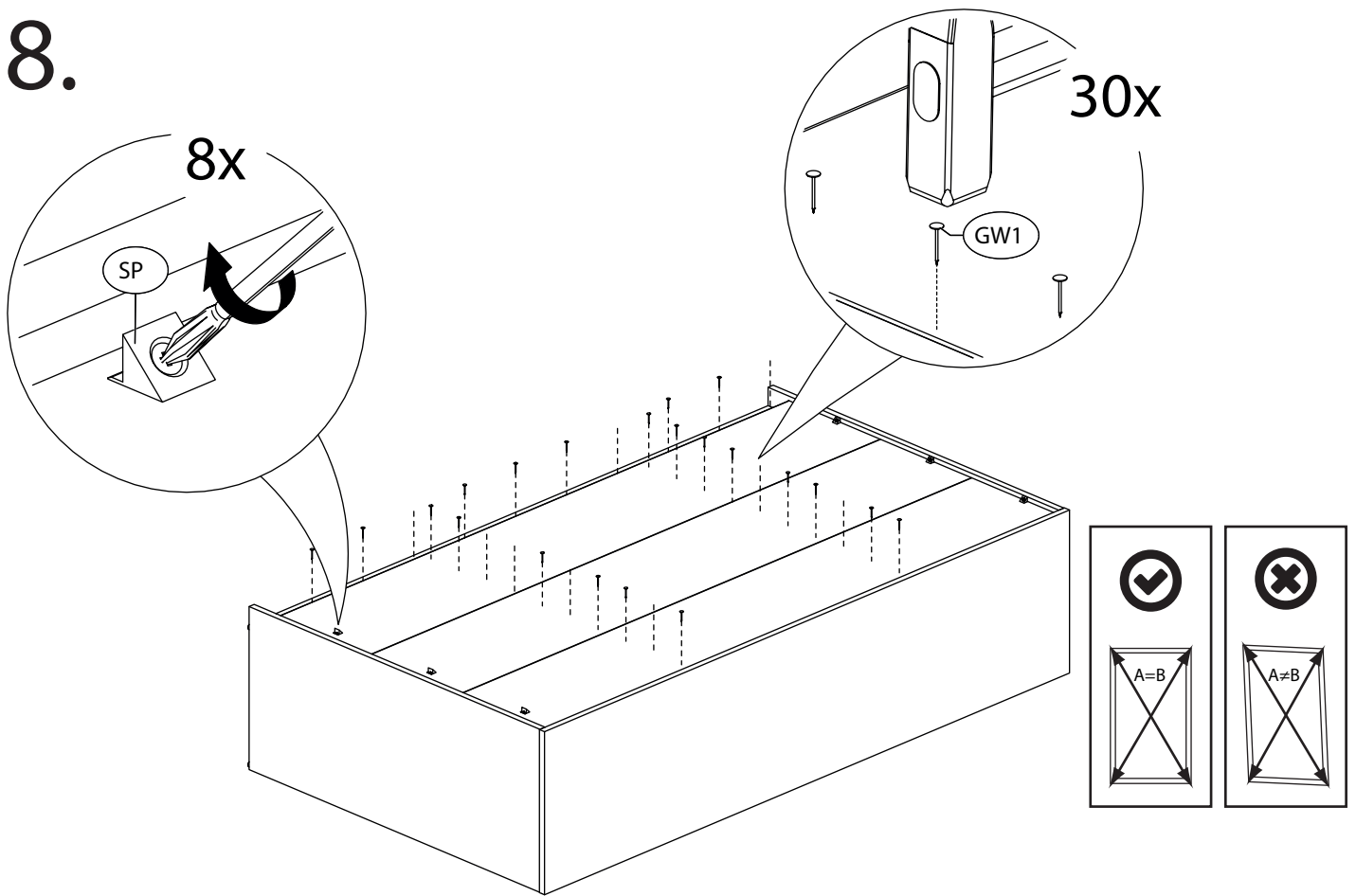
26.



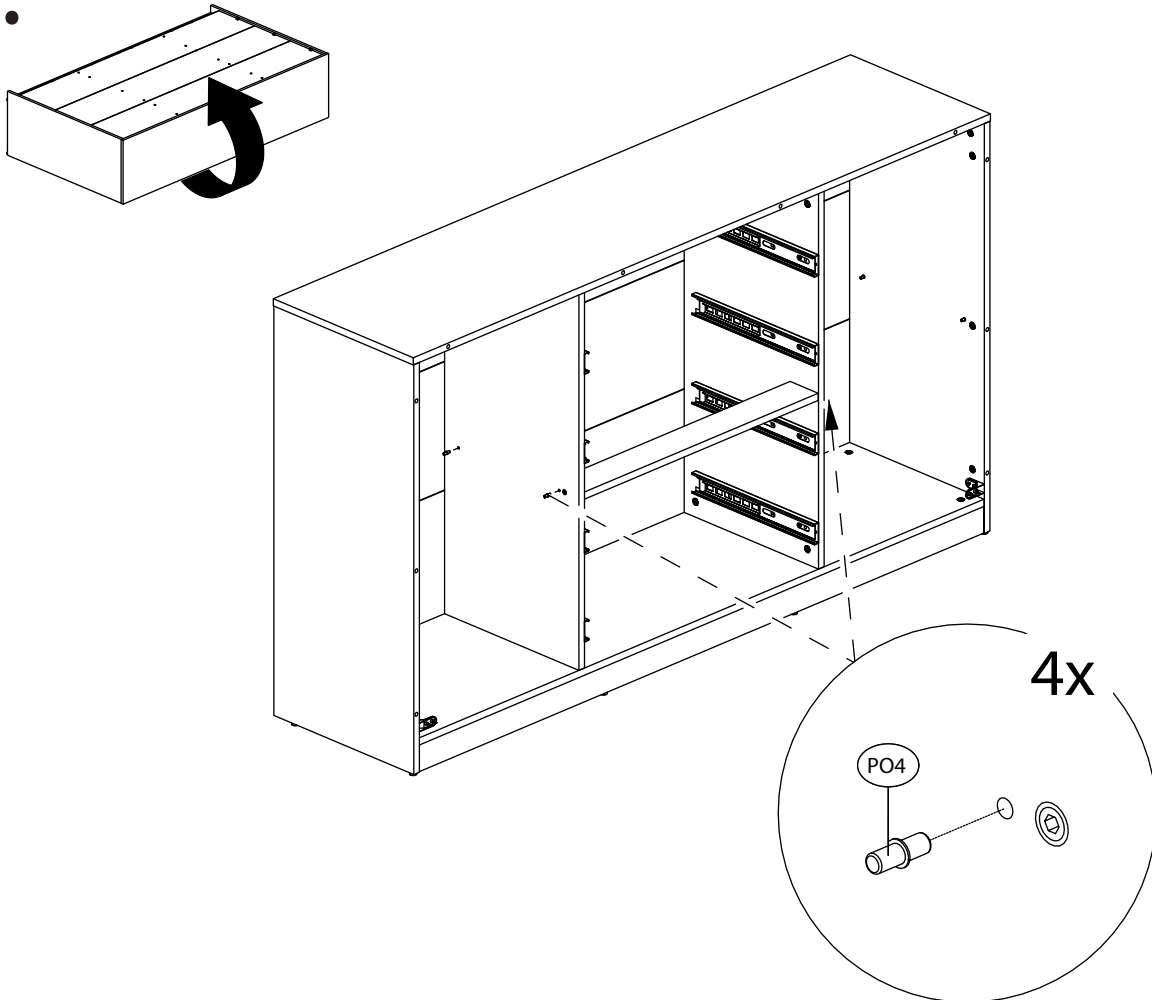
27.



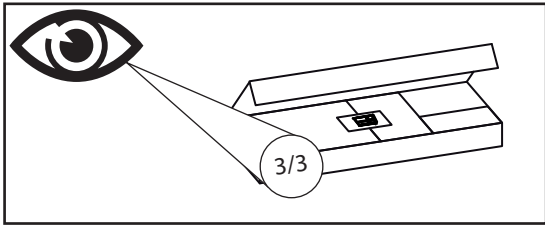
28.



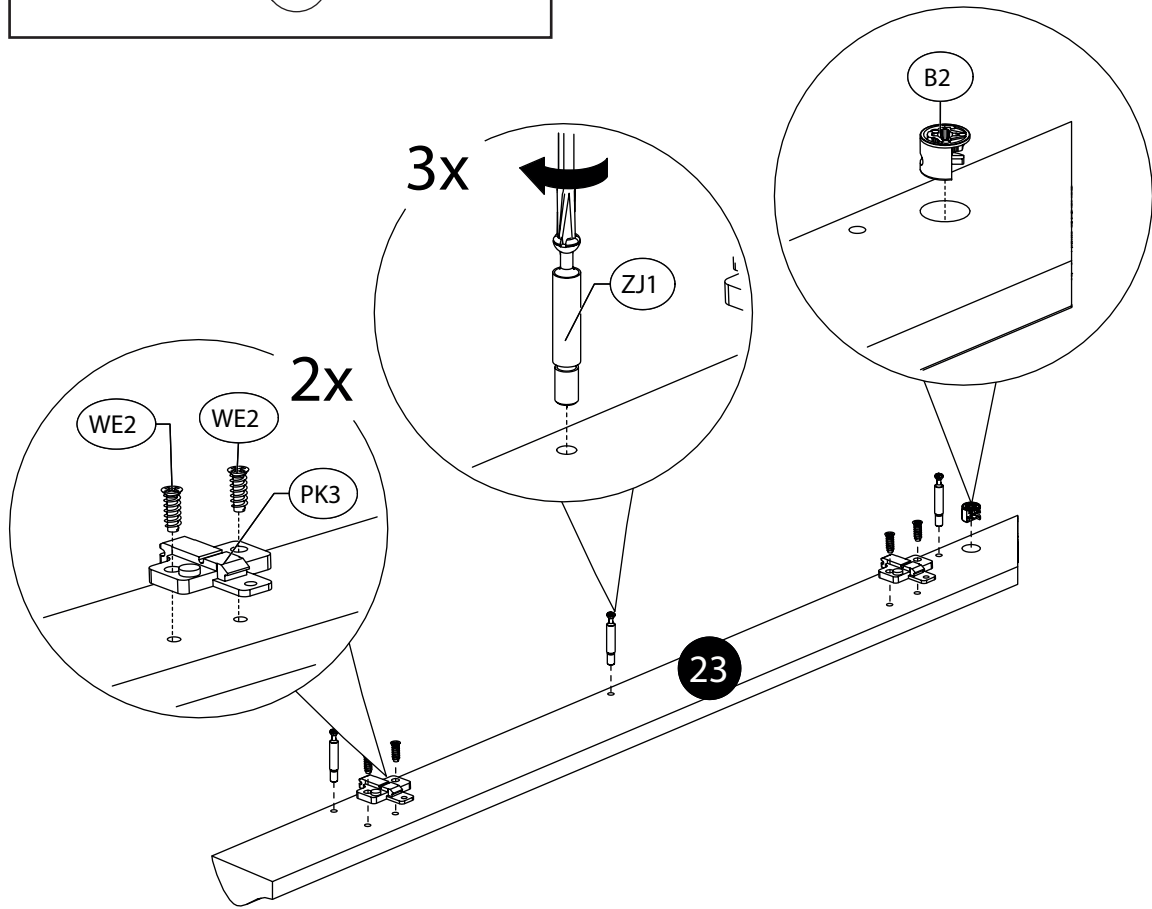
29.



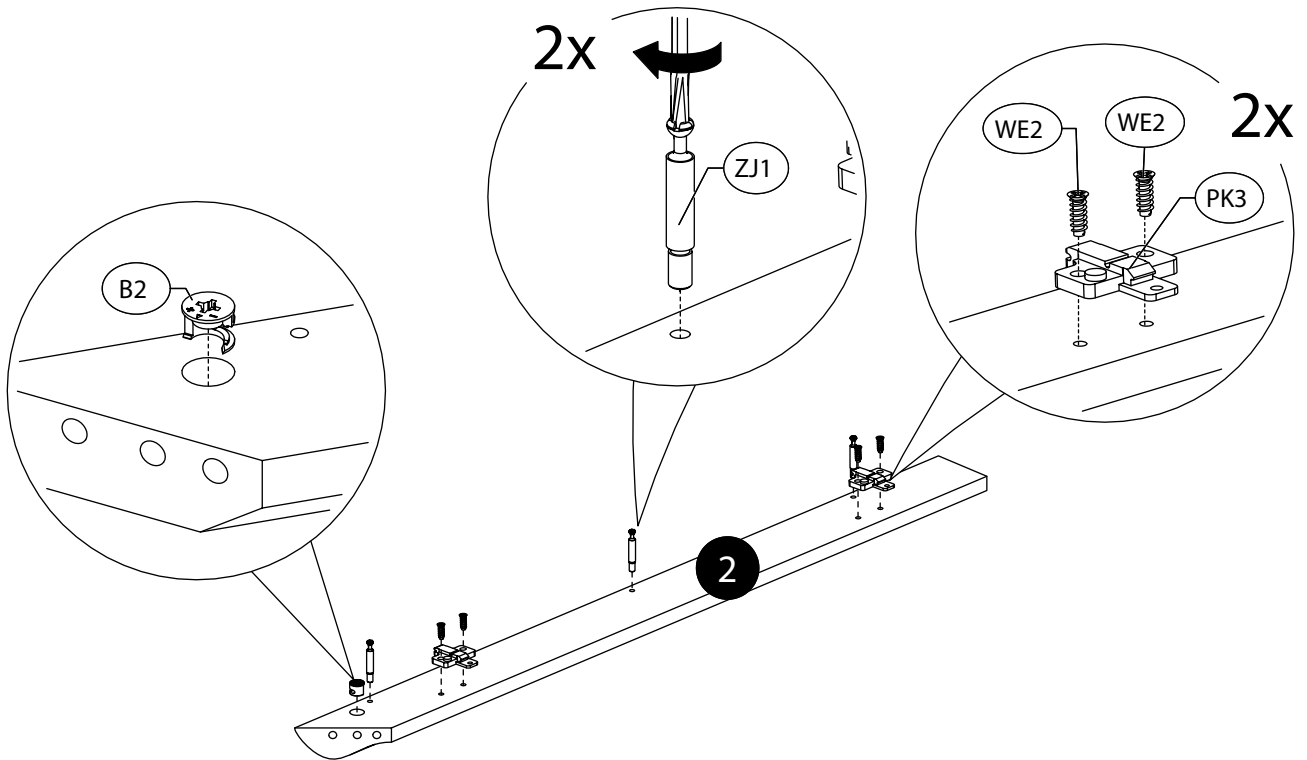
30.



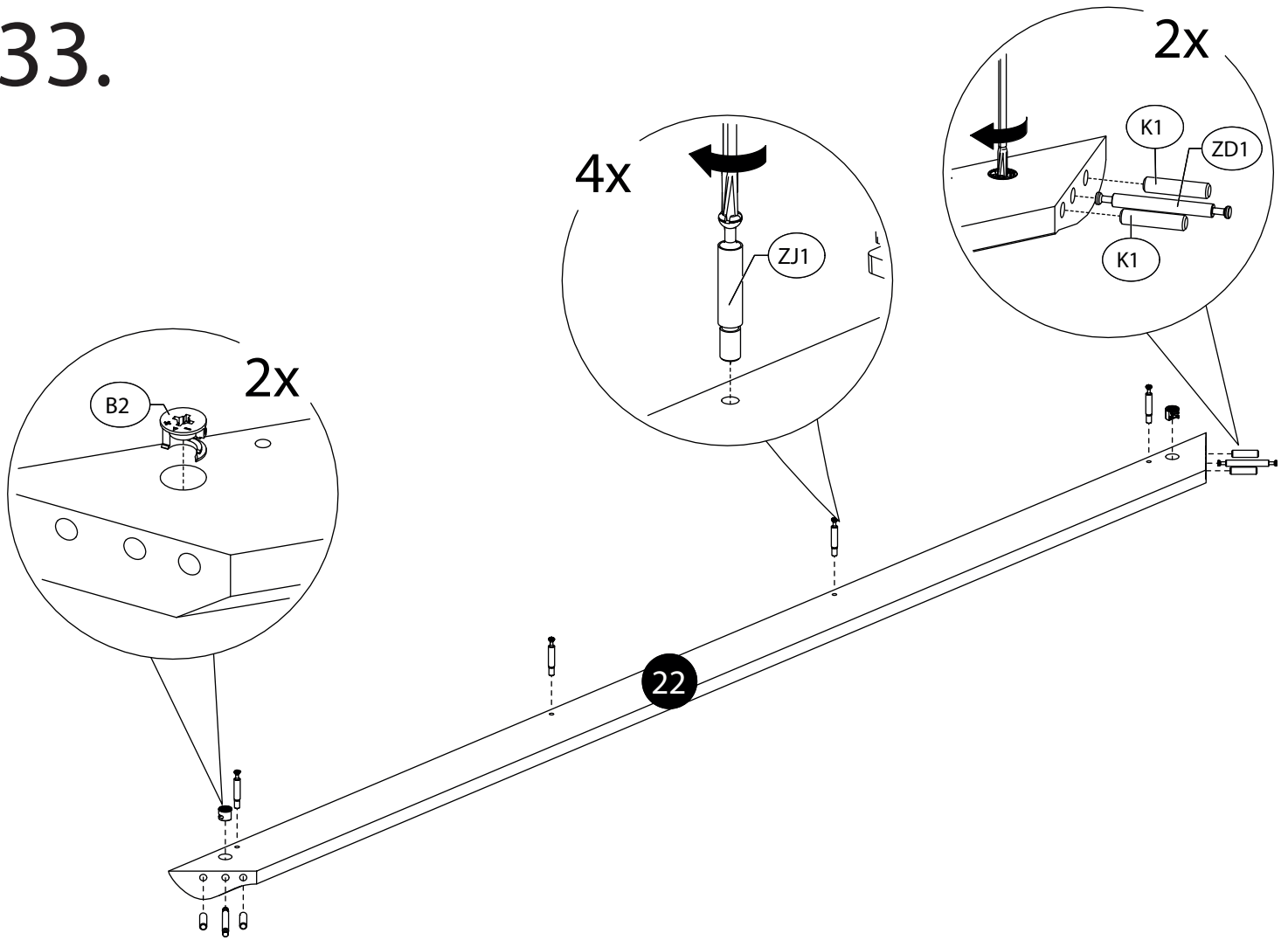
31.



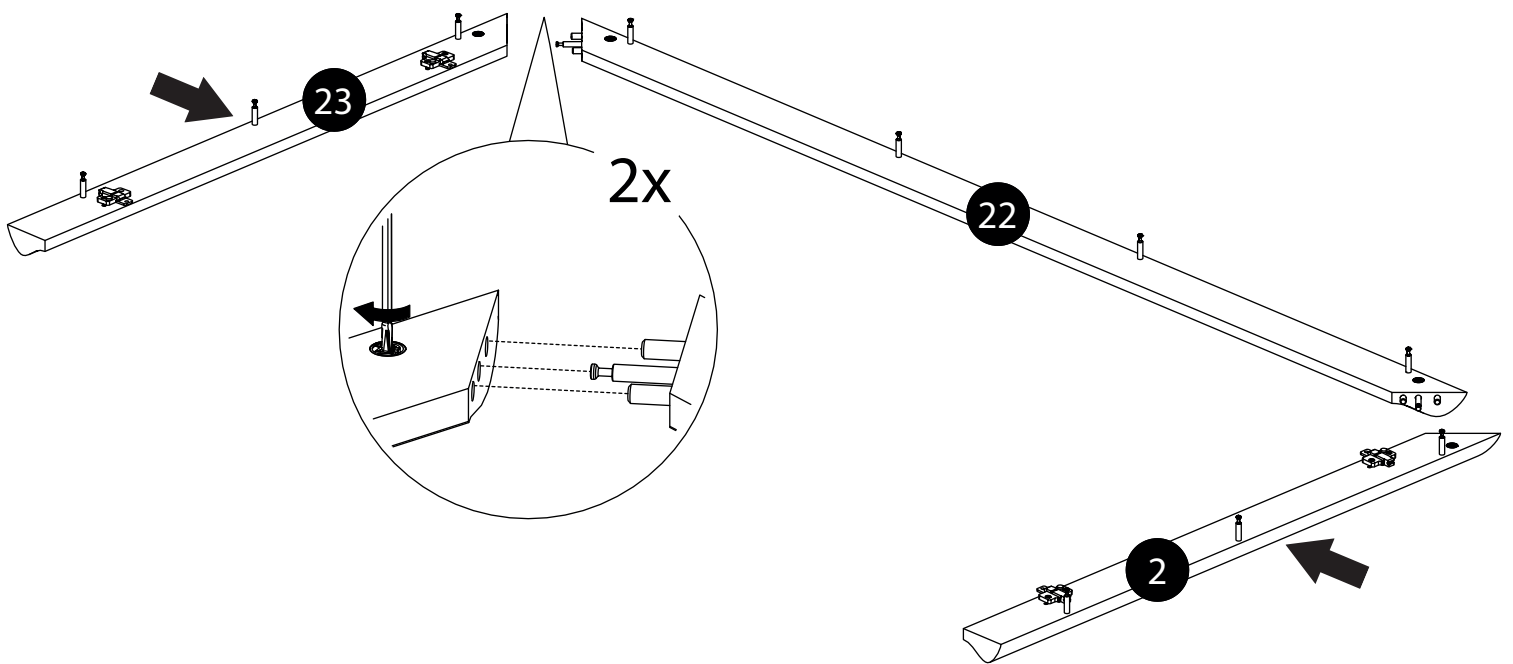
32.



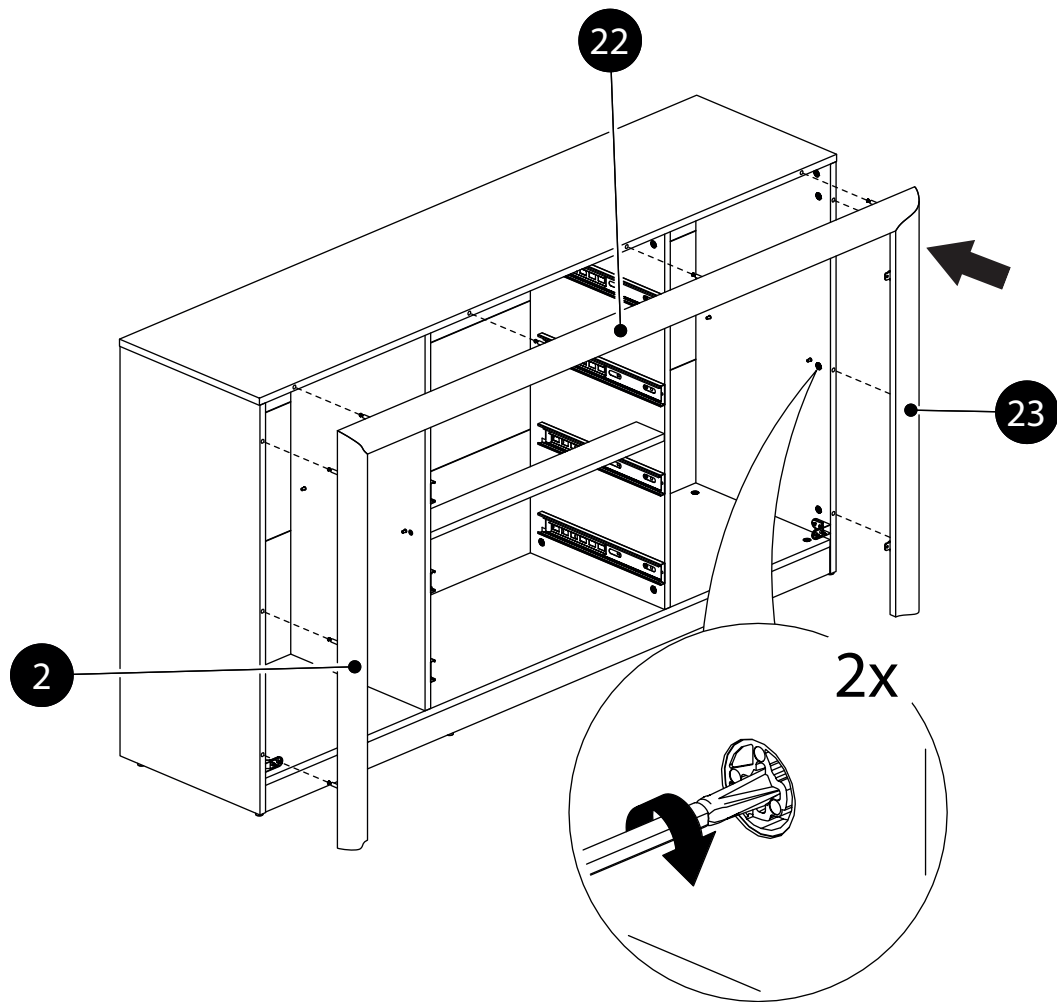
# 33.



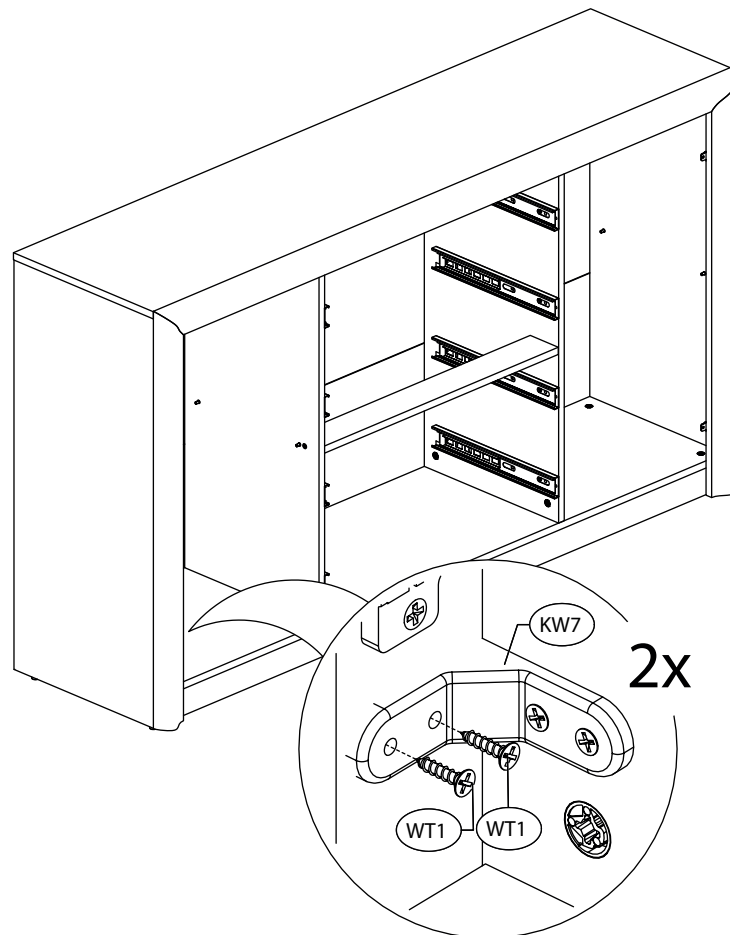
# 34.



35.

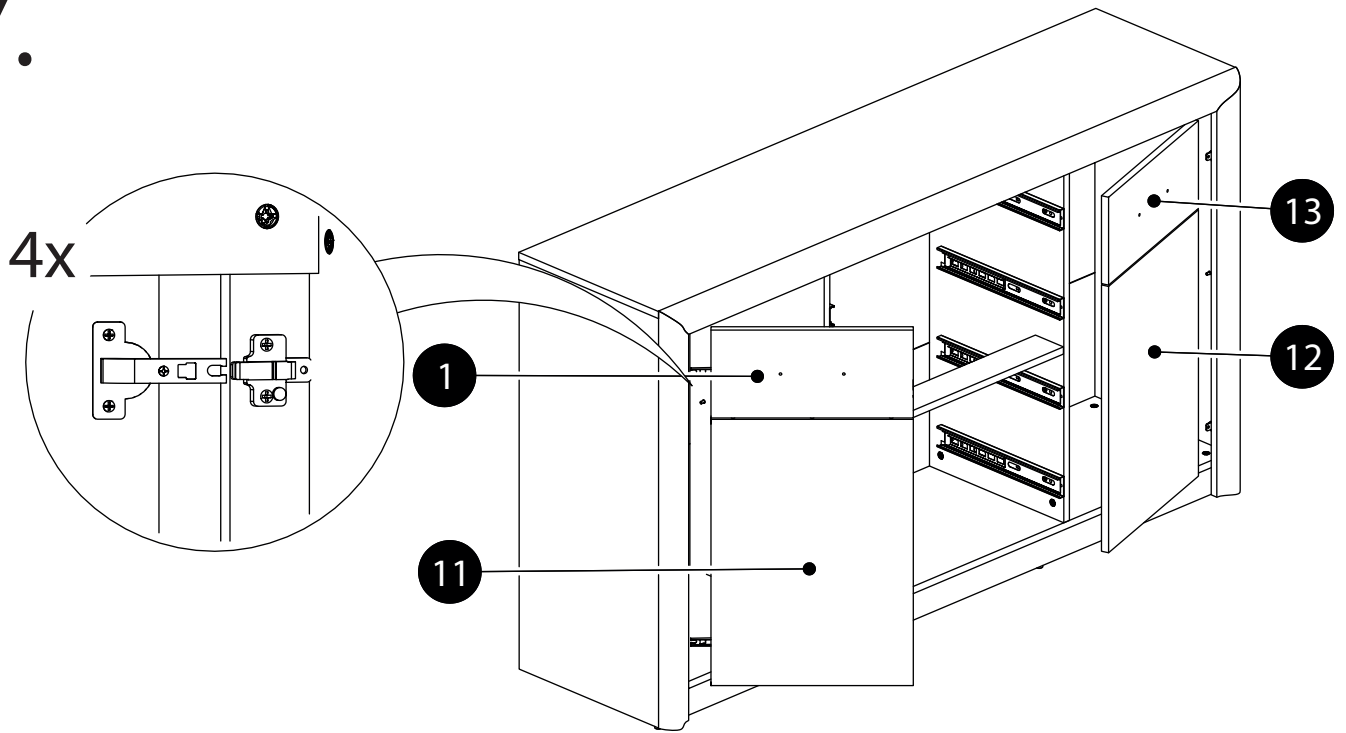


36.

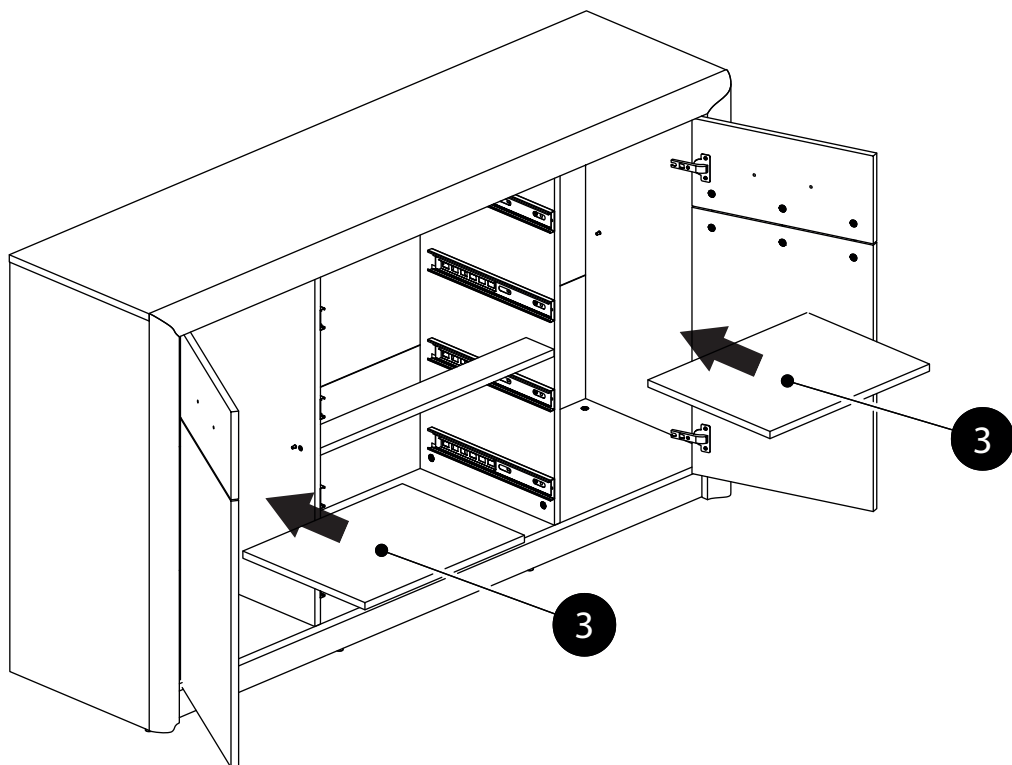




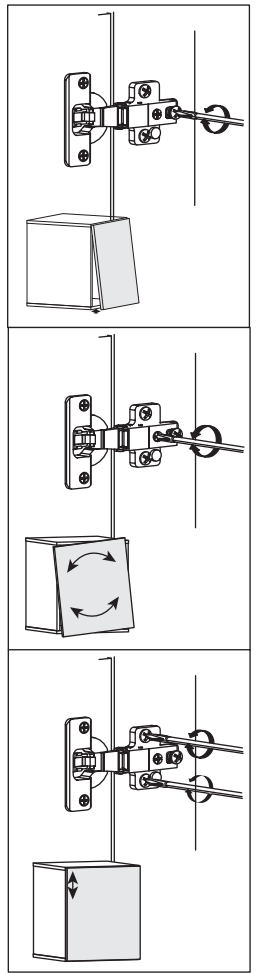
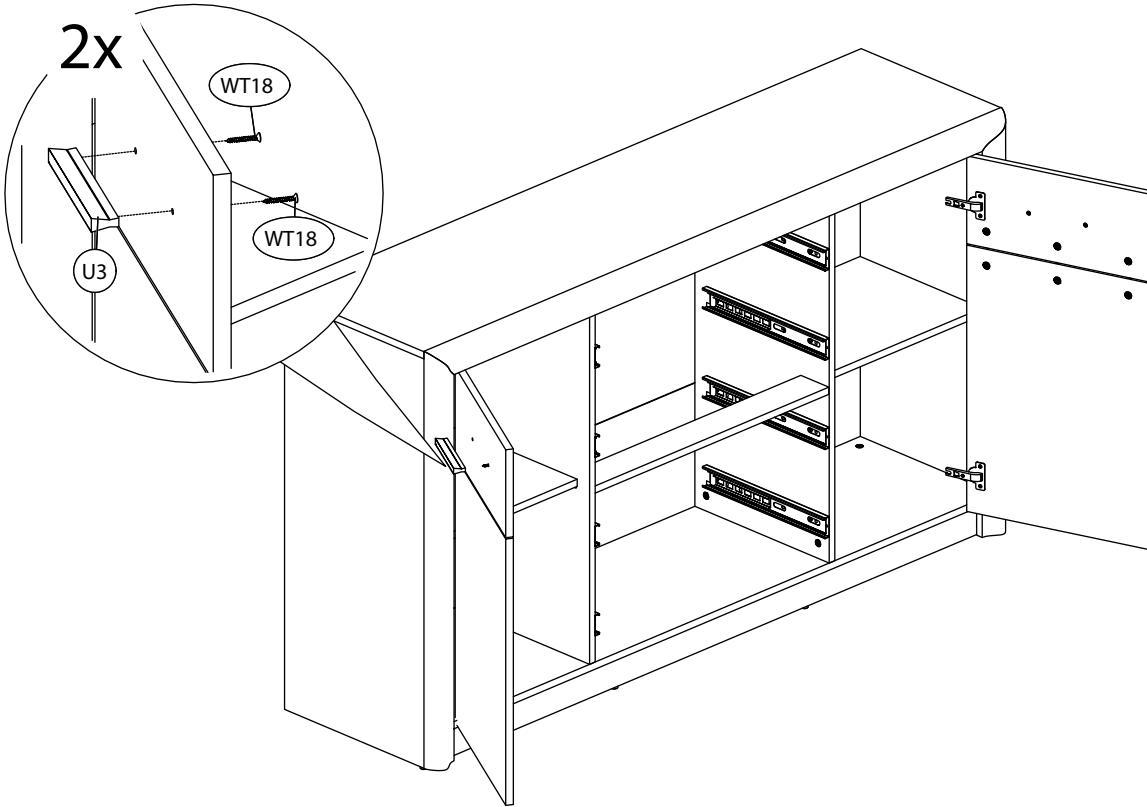
37.



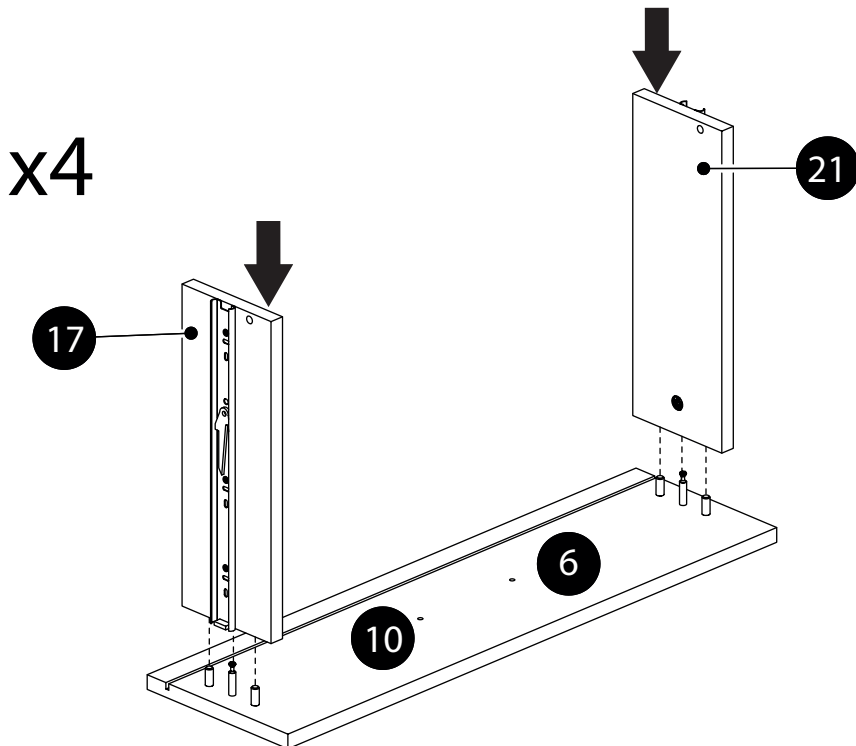
38.



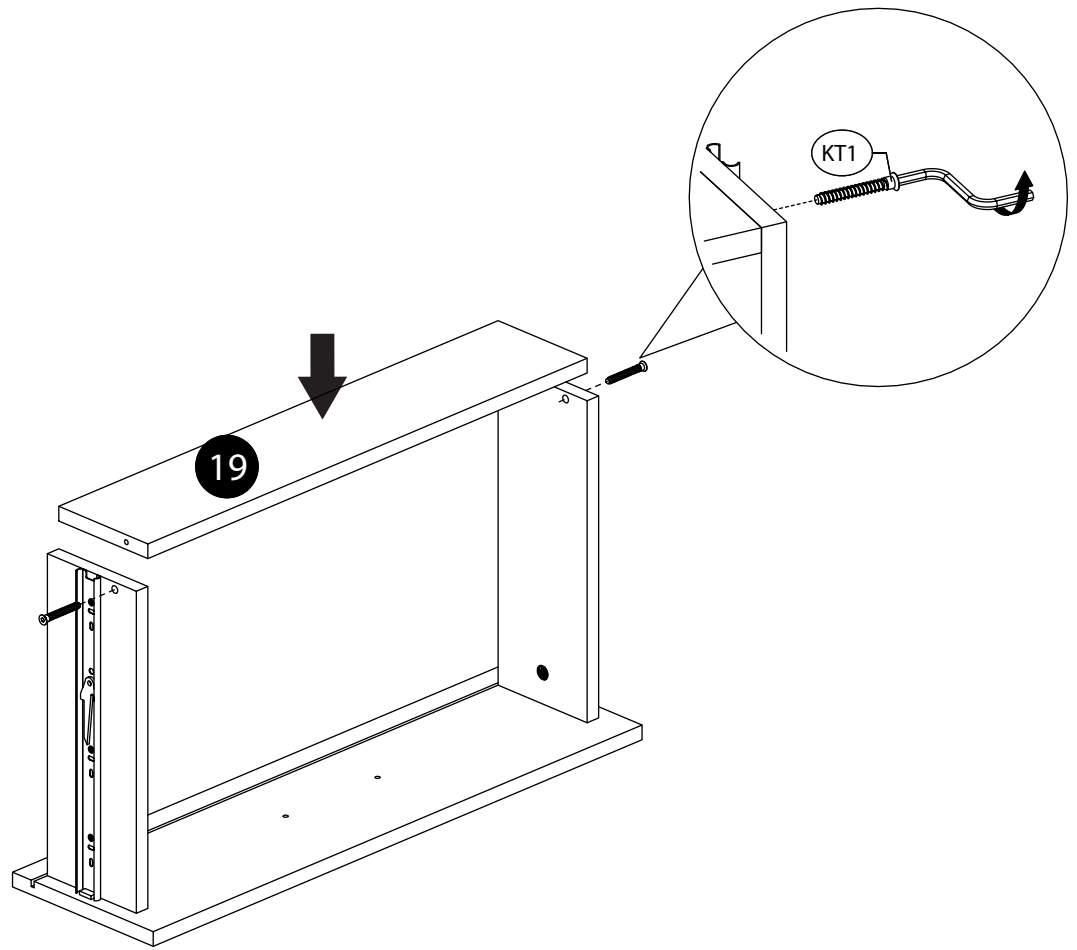
# 39.



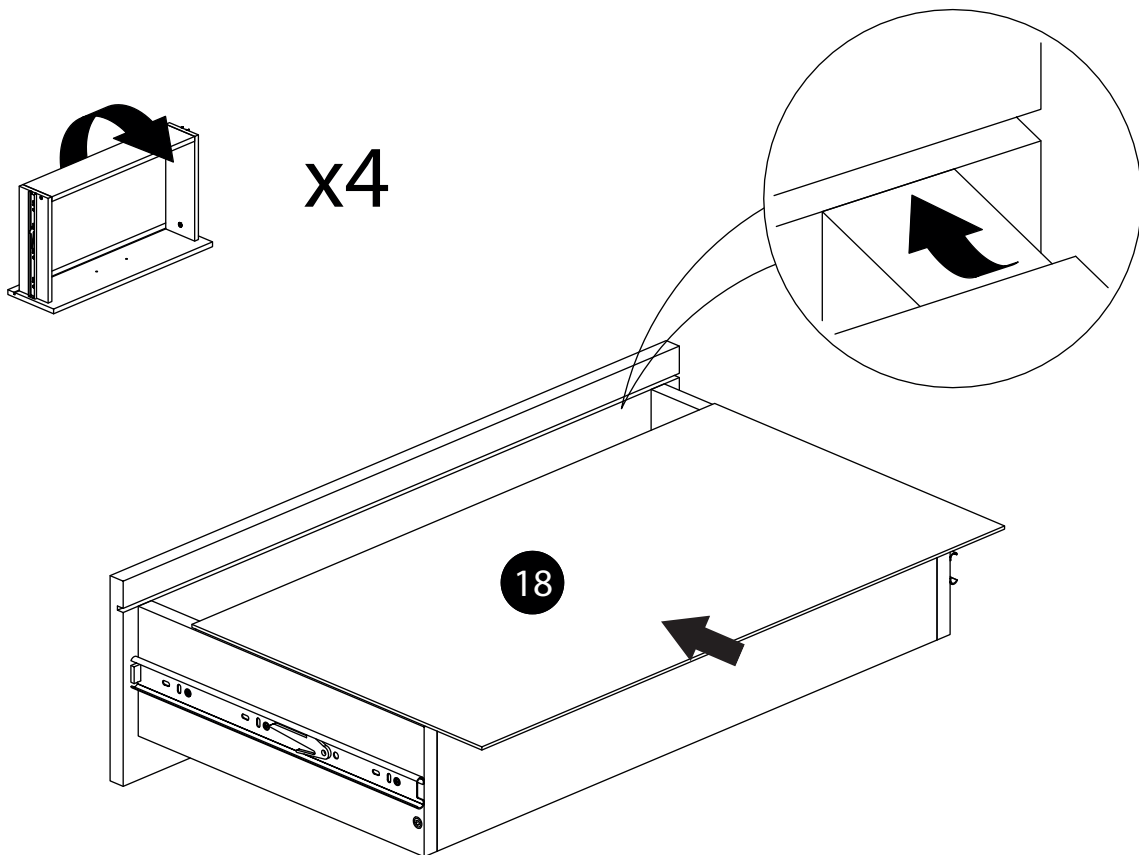
# 40.



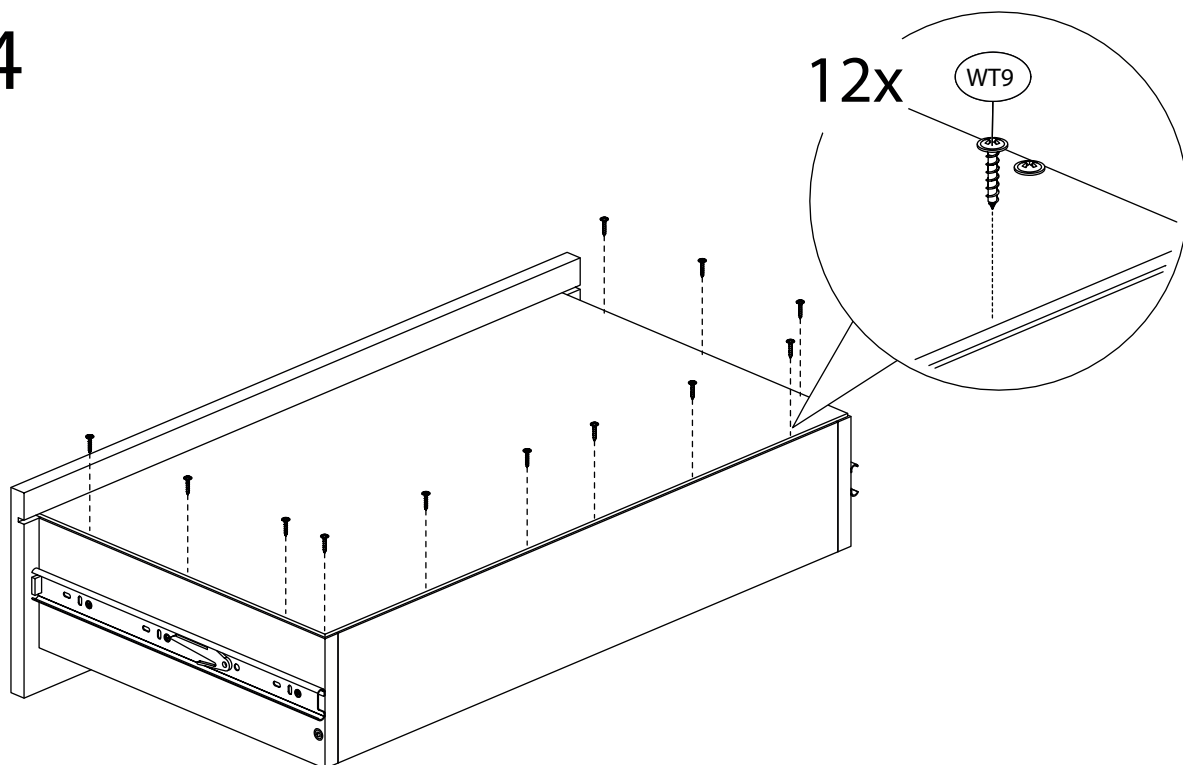
41.



42.

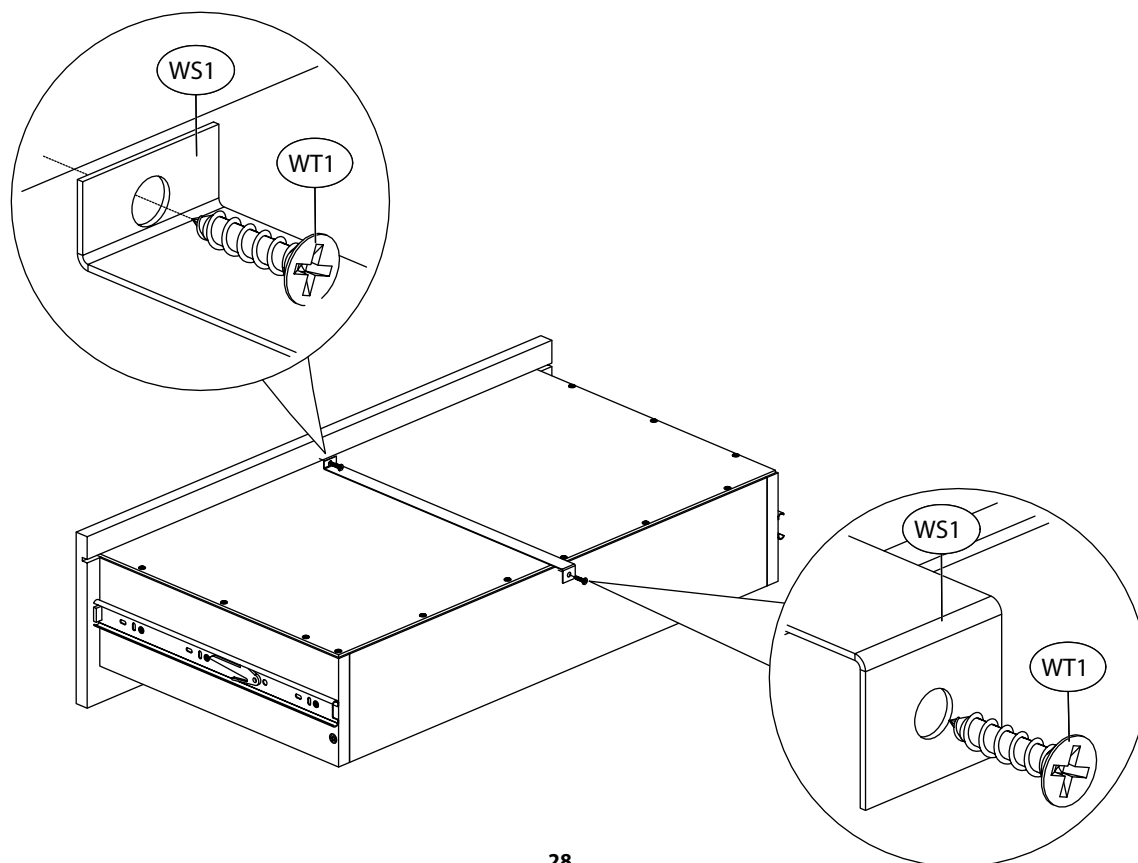


43. x4



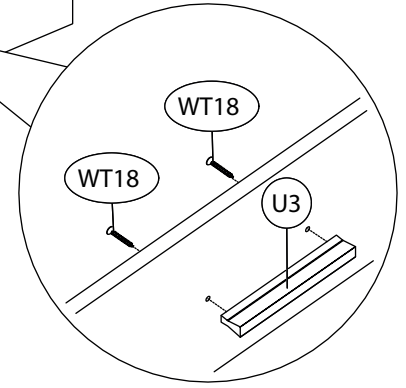
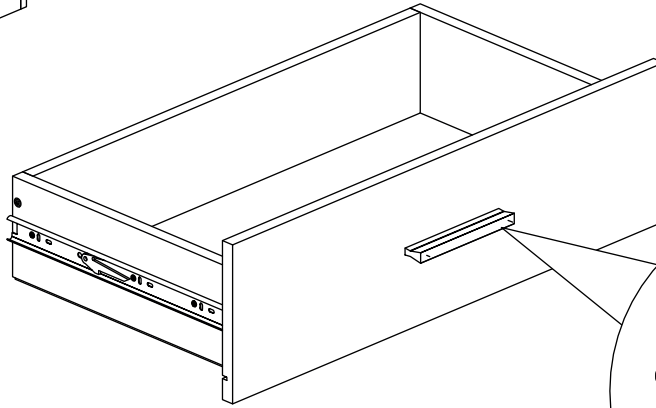
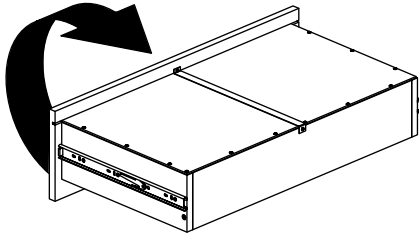
44.

x4

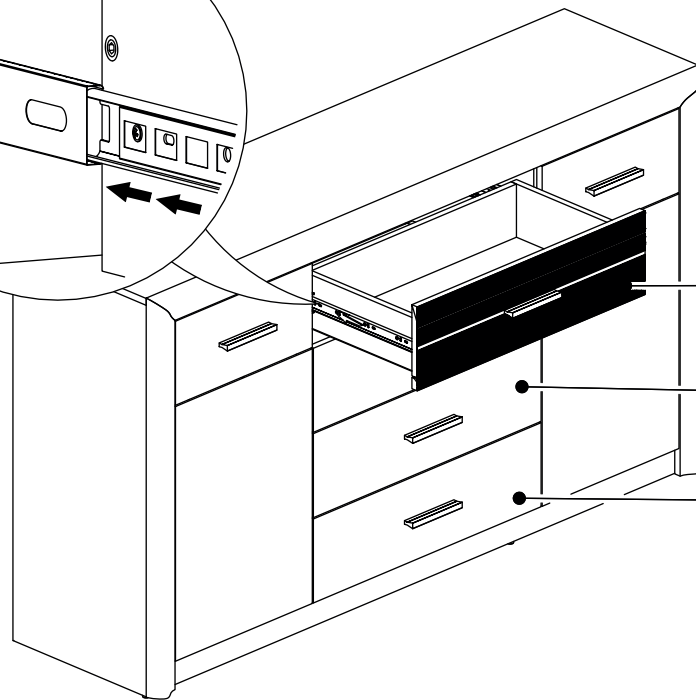
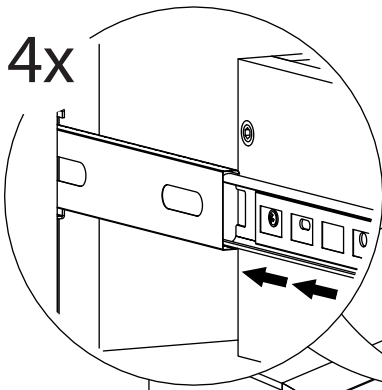


45.

x4



46.



6

10

10

47.

