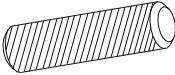
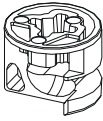


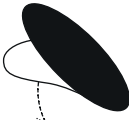
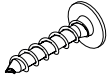
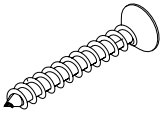
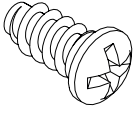
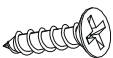
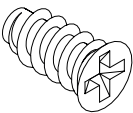


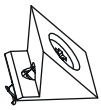
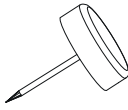

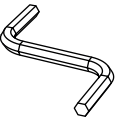
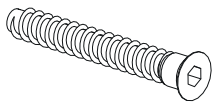


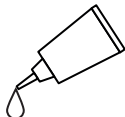

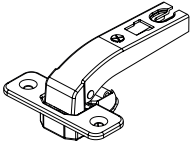
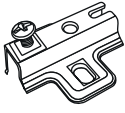
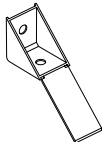
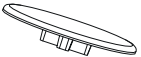
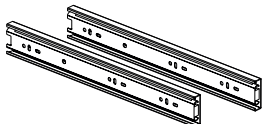
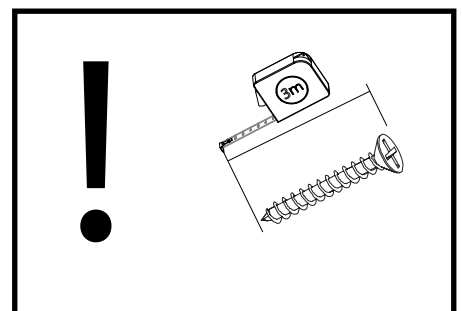


CASTEL 09

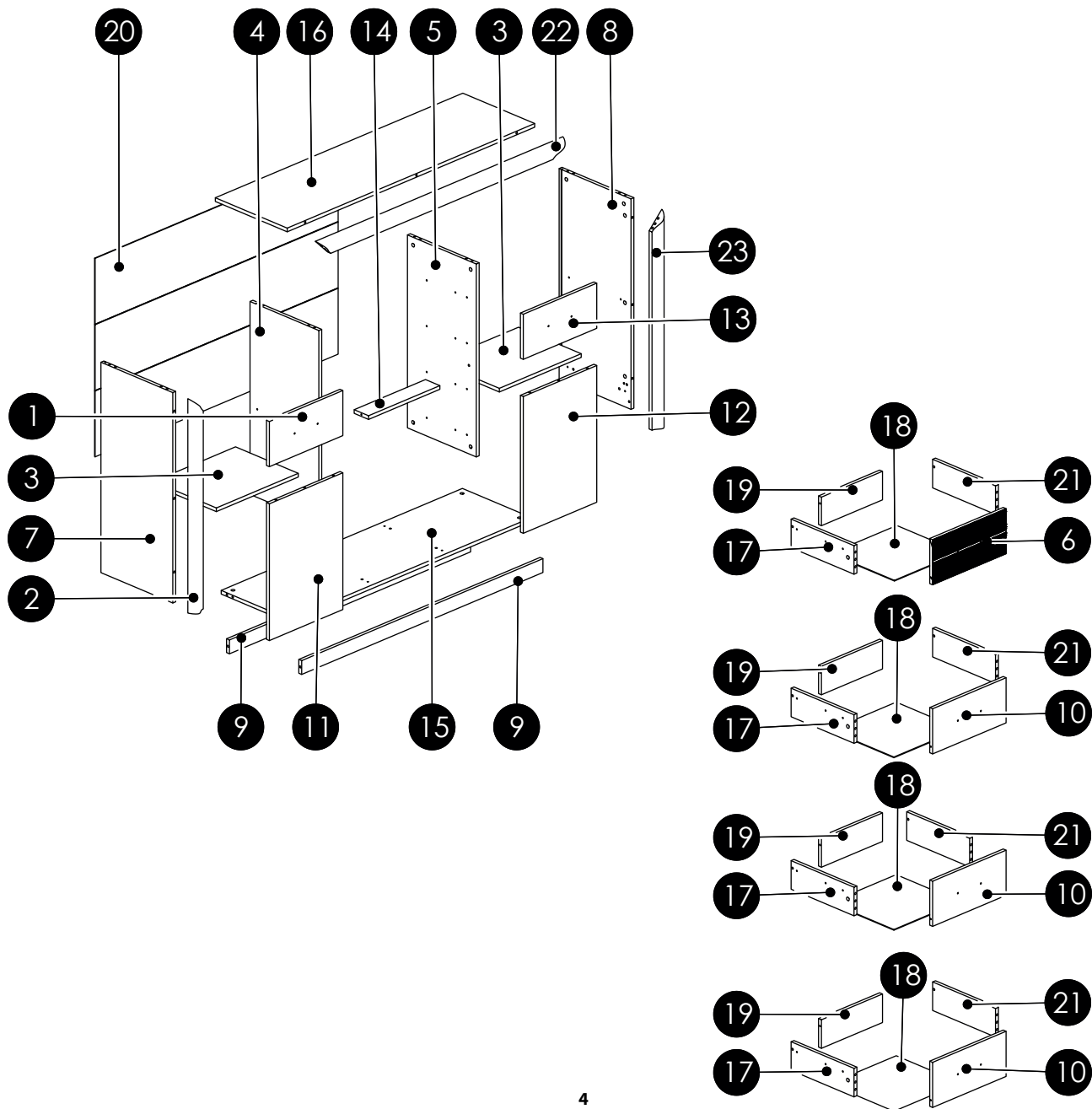
<p>K1 x 40 8x32</p> 	<p>B2 x 49 h-12</p> 	<p>ZD1 x 8 L68</p> 
<p>ZJ1 x 33 L-43</p> 	<p>ZS2 x 12 Ø20</p> 	<p>WT9 x 60 3x16</p> 
<p>WT18 x 12 4x30</p> 	<p>WE2 x 8 EK6,3x13B</p> 	<p>WT1 x 20 3,5x15</p> 
<p>WE7 x 24 ES6,3x13KBH</p> 	<p>GW1 x 20 1,4x25</p> 	<p>PO2 x 8 Ø5</p> 
<p>SP x 9</p> 	<p>SG1 x 8</p> 	<p>TUD2 x 6 8,2x12x3</p> 
<p>x 1</p> 	<p>KT1 x 10 6,3x50</p> 	<p>PZK x 1</p> 
<p>U3 x 6 L-148</p> 	<p>KL x 1</p> 	<p>KW7 x 2 50x50</p> 
<p>ZP8 x 4 ROWN</p> 	<p>PK3 x 4 H-2</p> 	<p>PO4 x 2</p> 
<p>ZM1 x 17 Ø18</p> 	<p>P1 x 4 L-350</p> 	

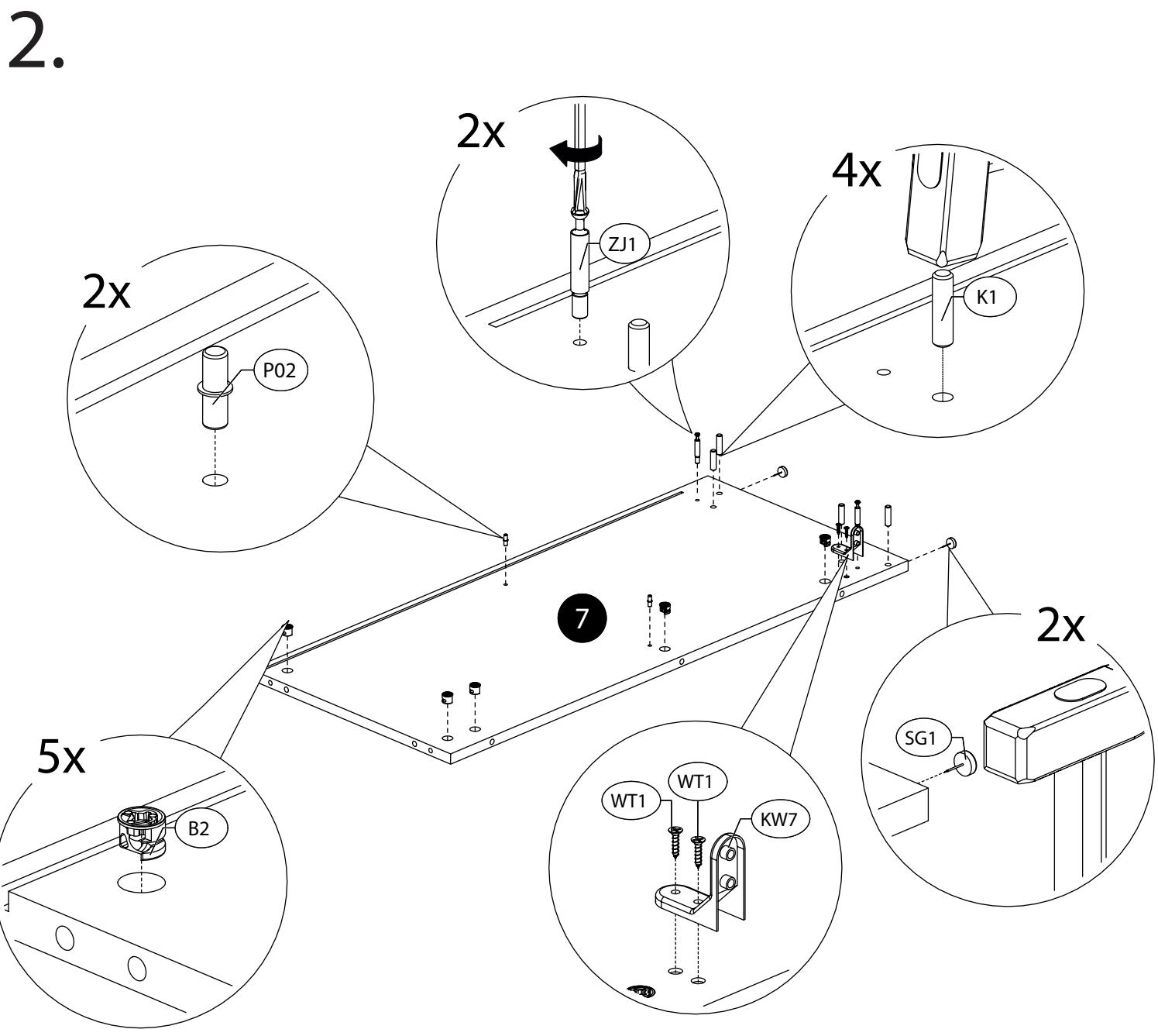
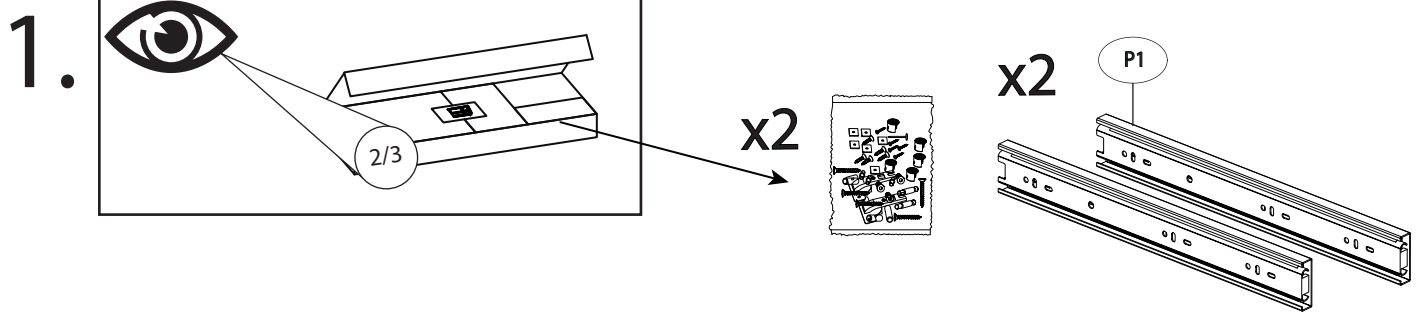


CASTEL 09

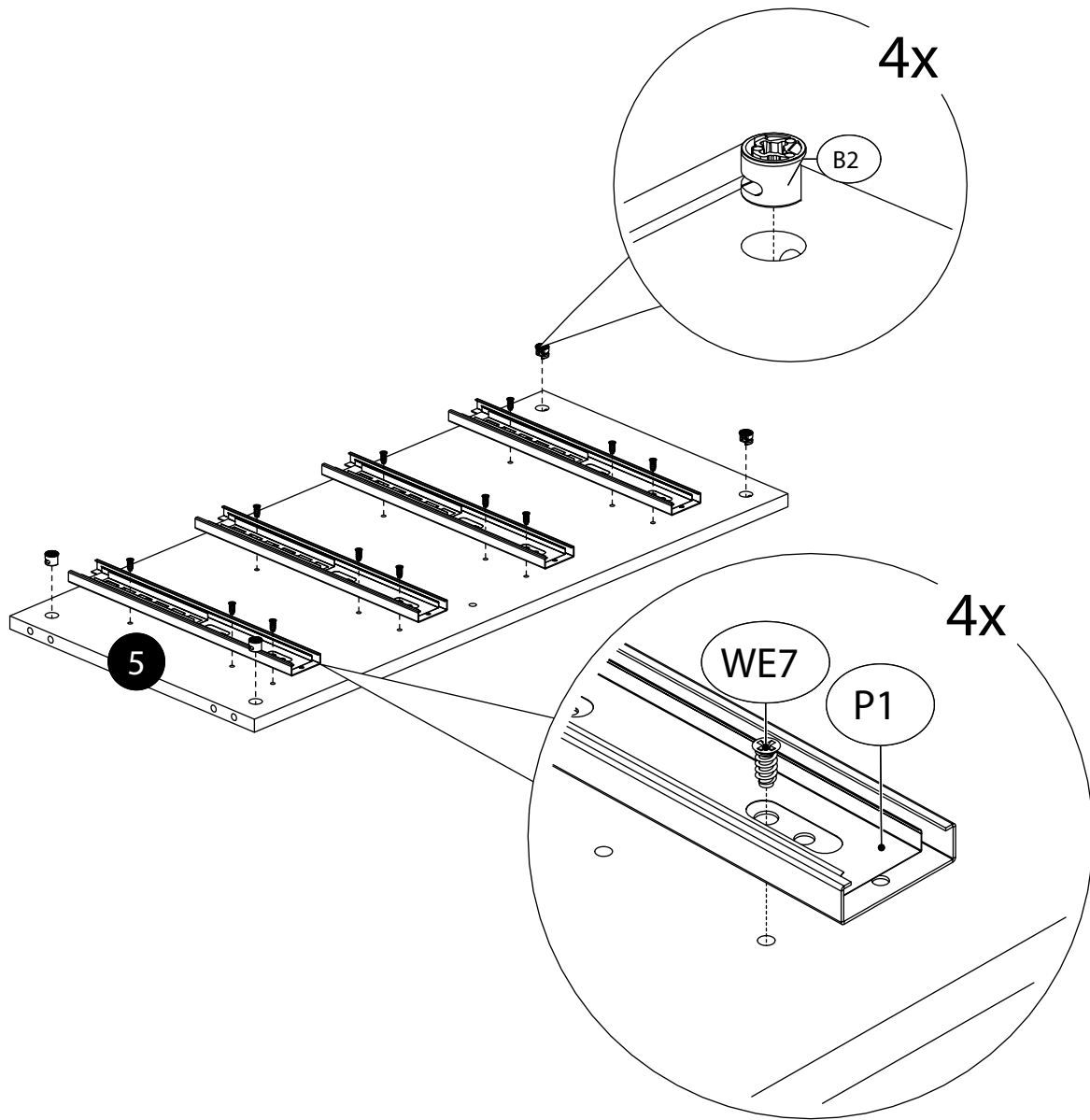
	CODE				
1	Castel09_16	409	196	1	2/3
2	Castel09_19	931	70	1	3/3
3	Castel09_10	456	349	2	1/3
4	Castel09_03	838	384	1	2/3
5	Castel09_04	838	384	1	2/3
6	Castel09_18	409	196	1	2/3
7	Castel09_01	914	400	1	2/3
8	Castel09_02	914	400	1	2/3
9	Castel09_15	1615	60	2	1/3
10	Castel09_13	409	196	3	2/3
11	Castel09_11	409	594	1	2/3

	CODE				
12	Castel09_12	409	594	1	2/3
13	Castel09_17	409	196	1	2/3
14	Castel09_14	397	80	1	1/3
15	Castel09_05	1343	384	1	1/3
16	Castel09_06	1378	400	1	1/3
17	Castel09_07	350	124	4	1/3
18	Castel09HDF_02	368	355	4	1/3
19	Castel09_09	340	124	4	1/3
20	Castel09HDF_01	1353	286	3	1/3
21	Castel09_08	350	124	4	1/3
22	Castel09_21	1378	70	1	3/3
23	Castel09_20	931	70	1	3/3

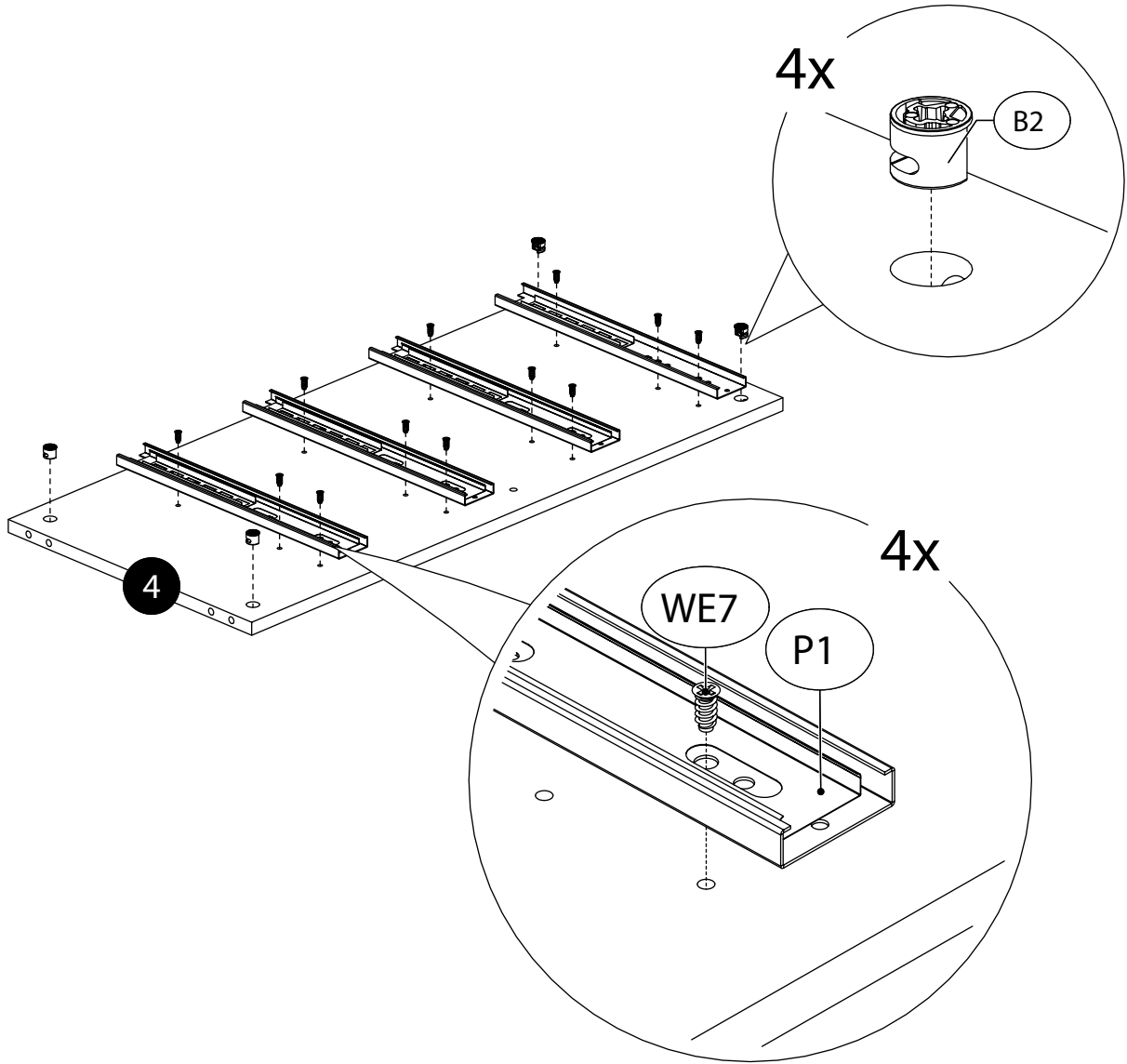




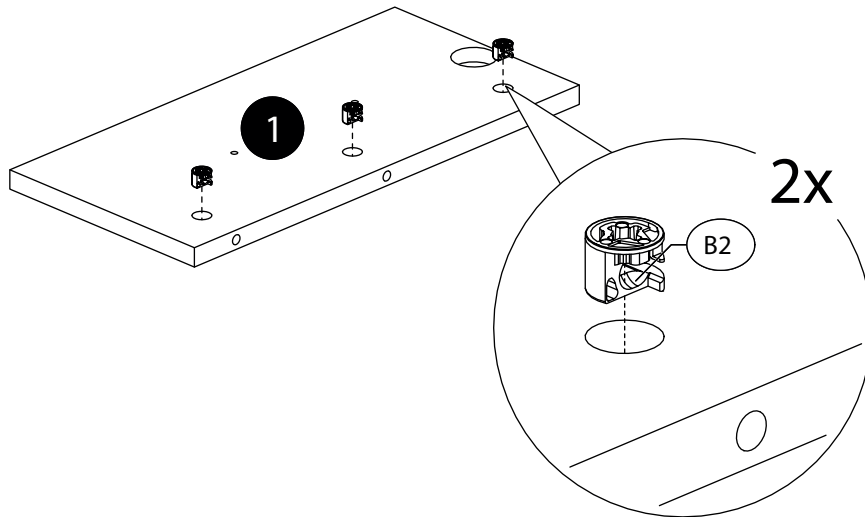
3.



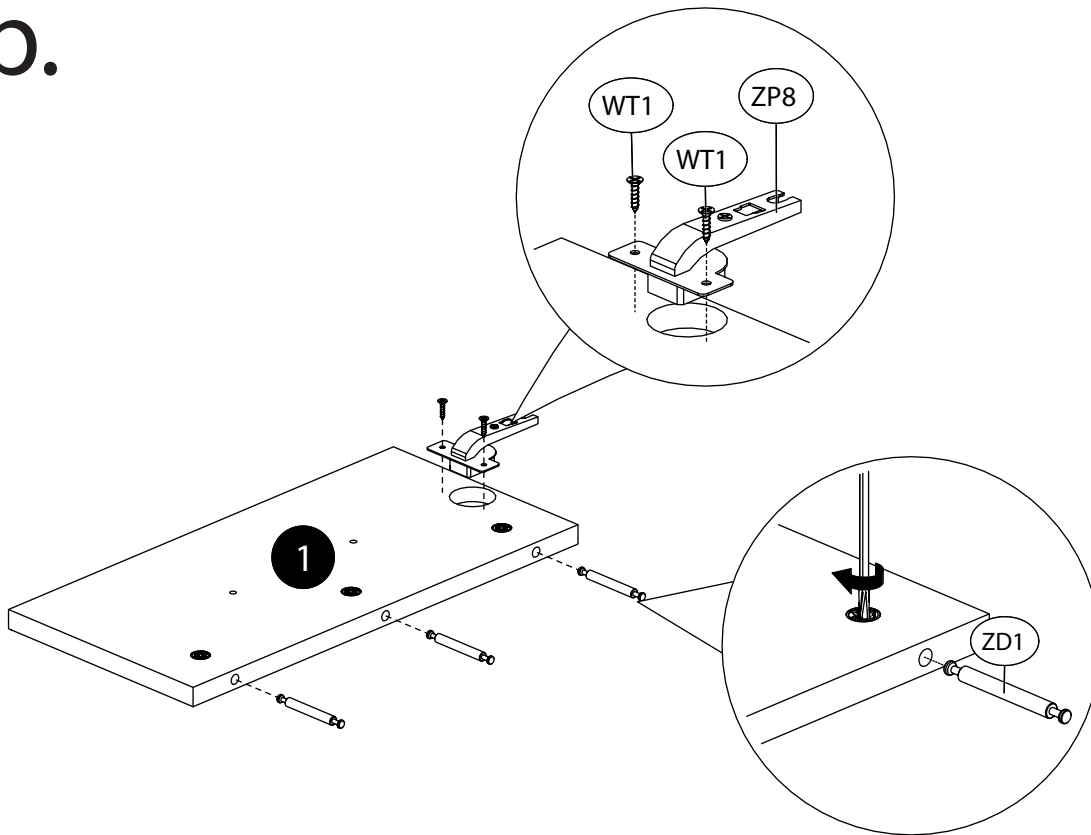
4.



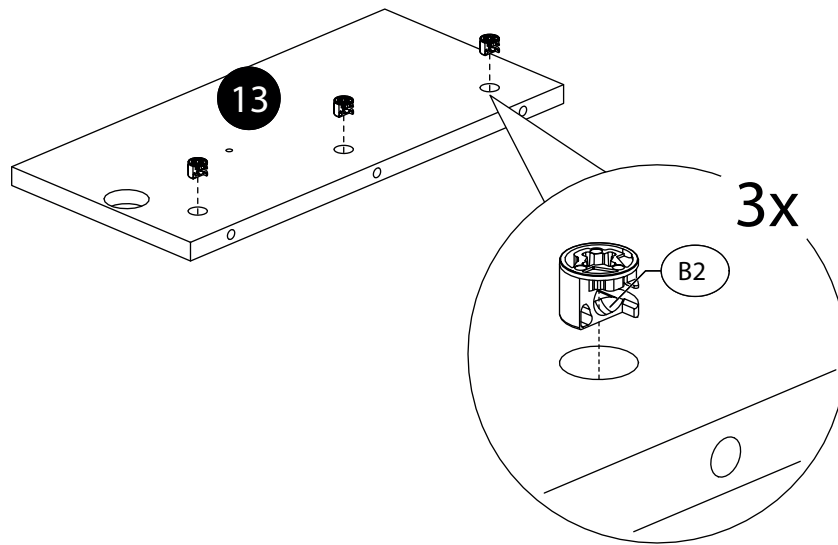
5a.



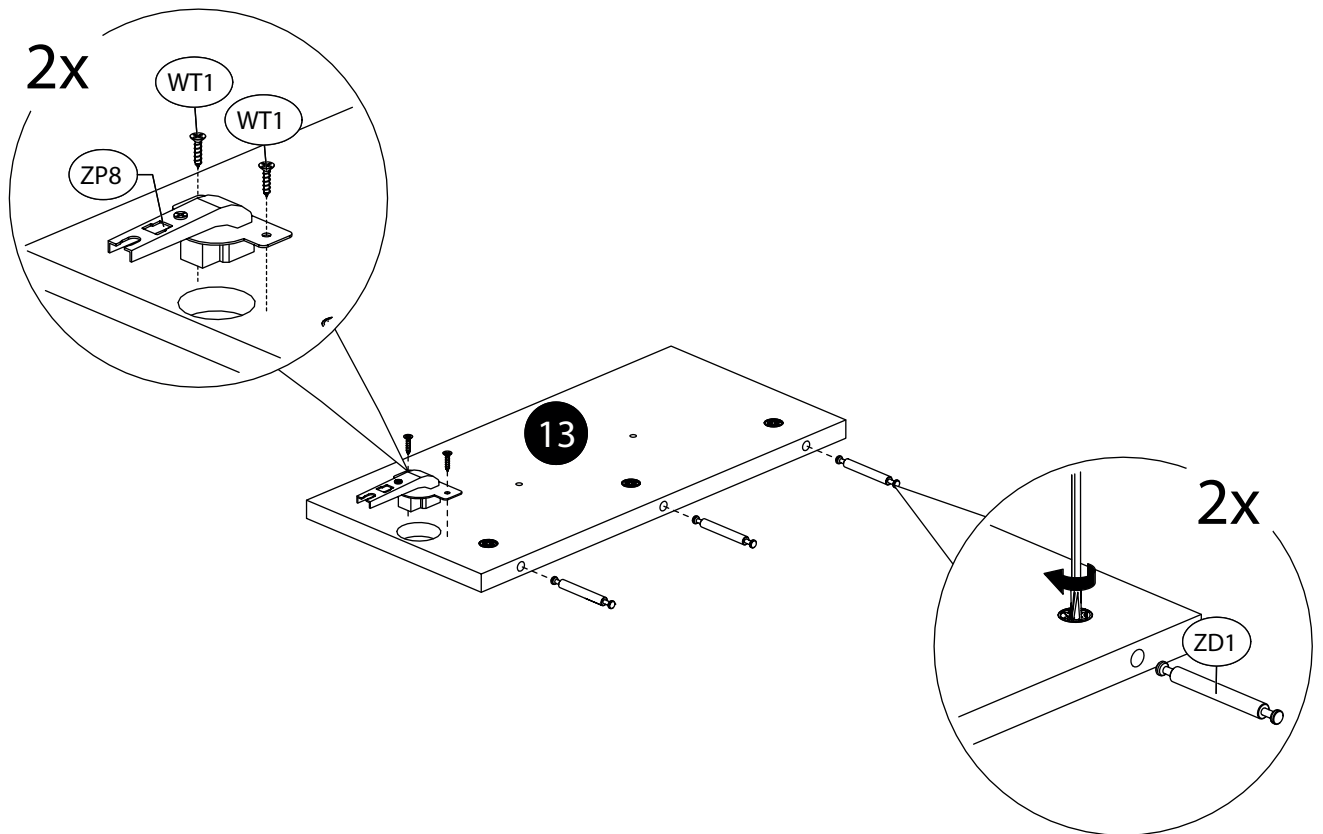
5b.



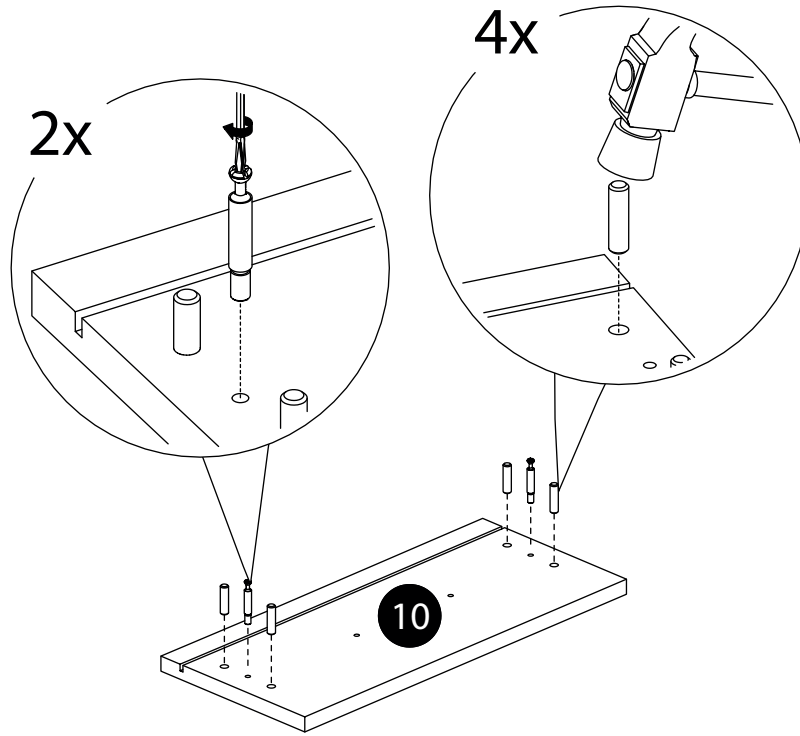
6a.



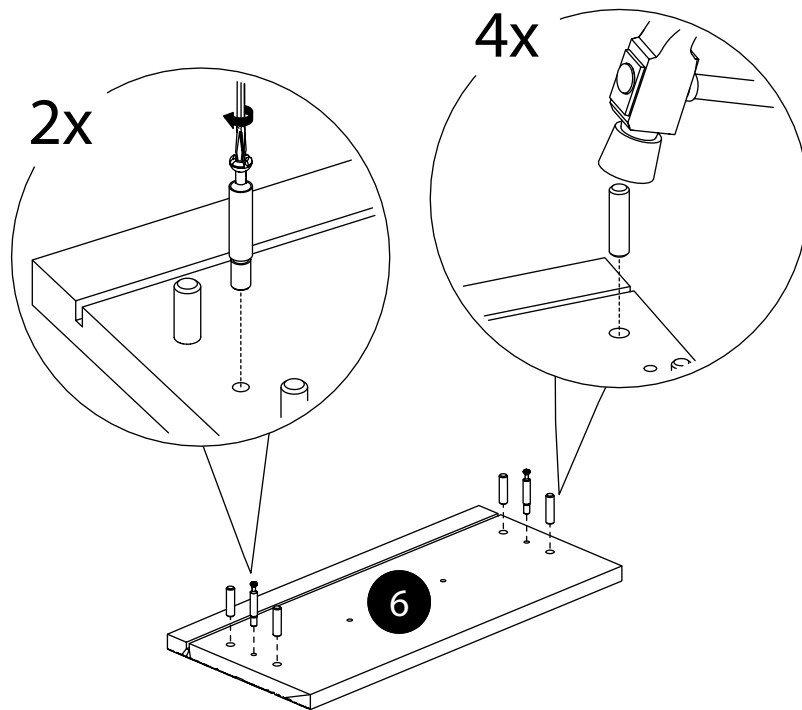
6b.



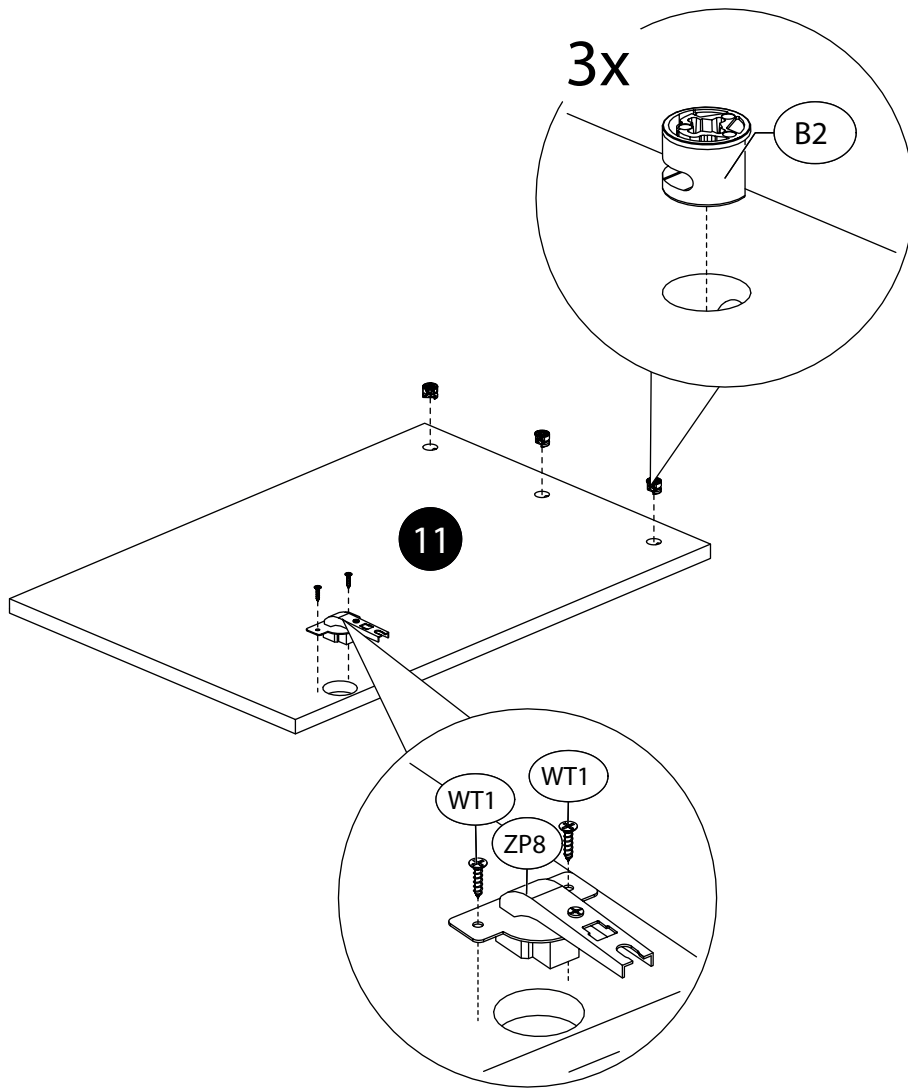
7.



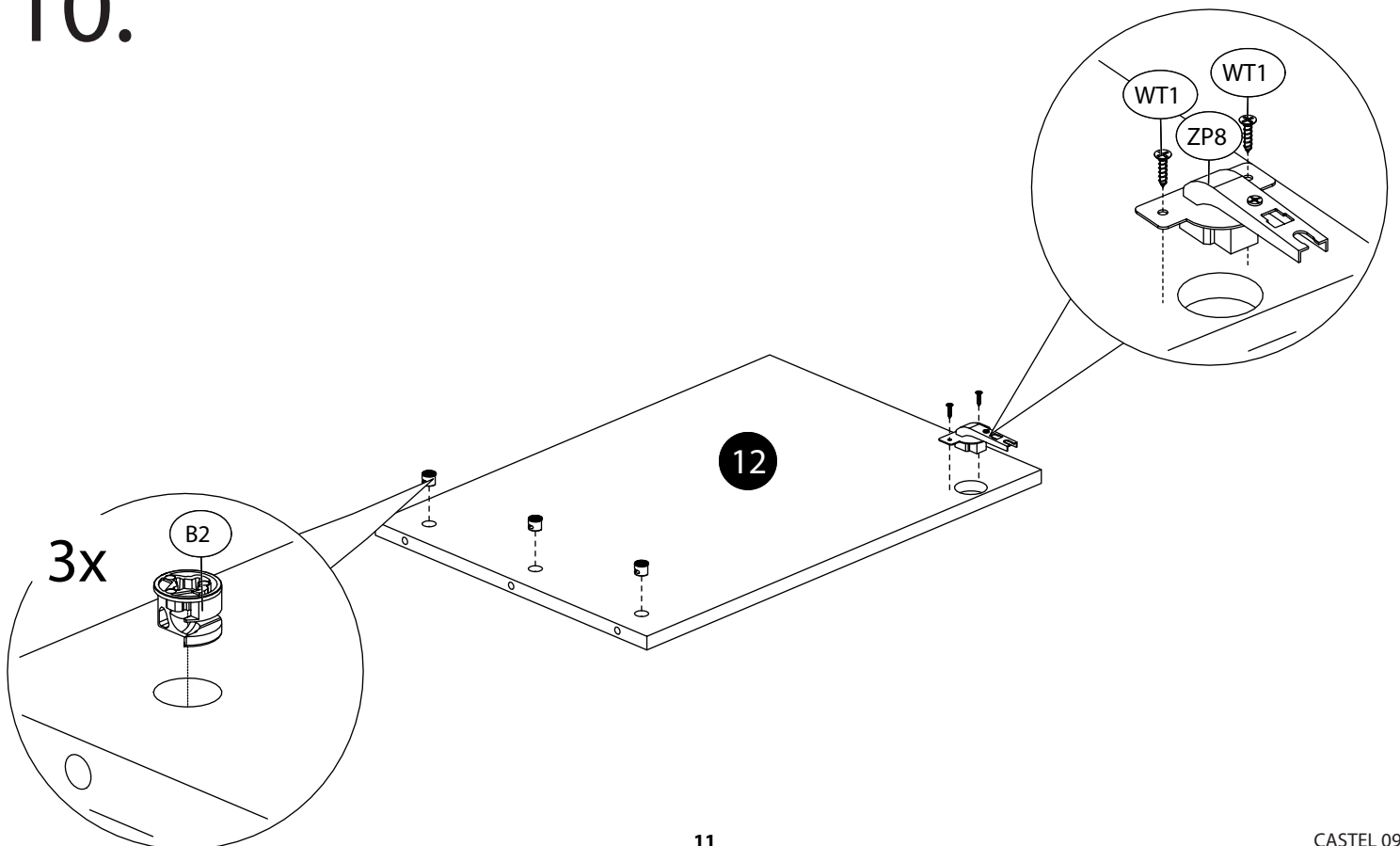
8.



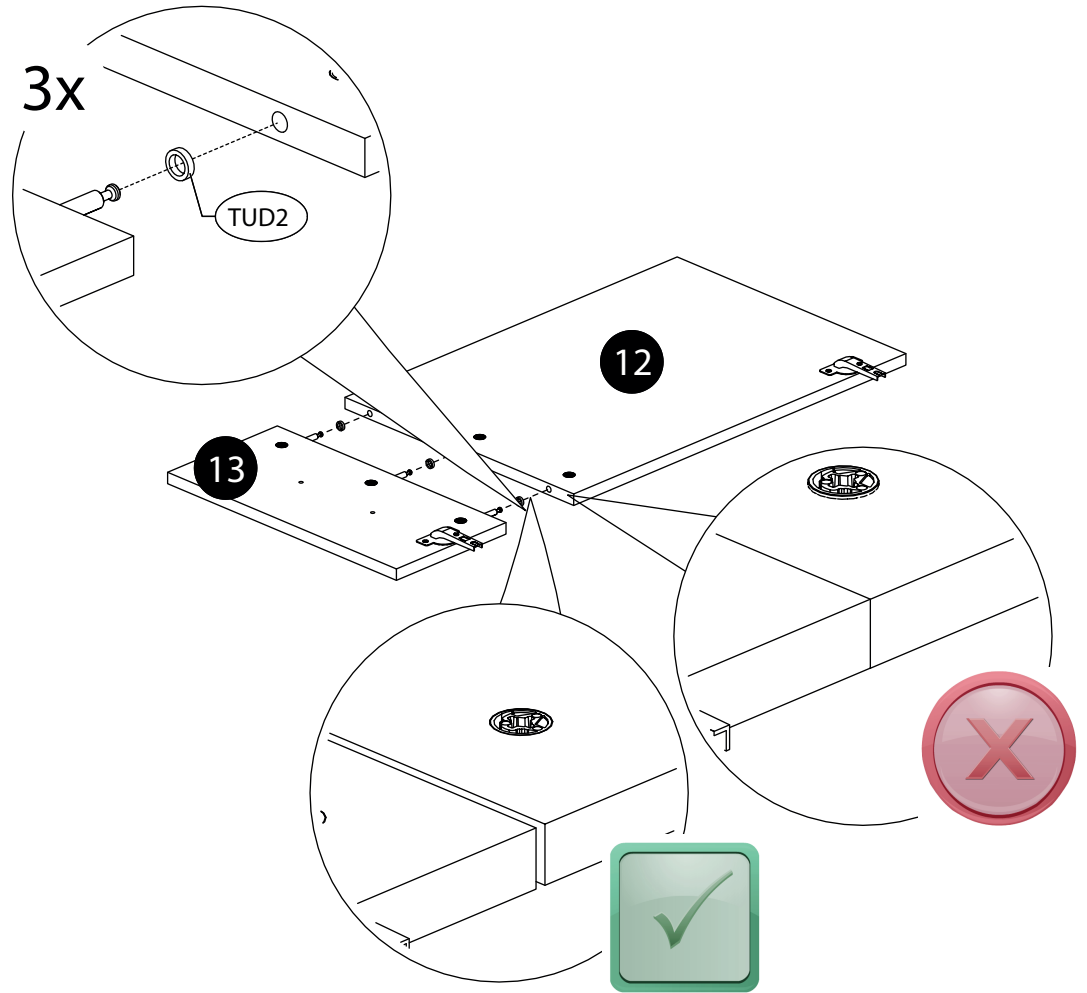
9.



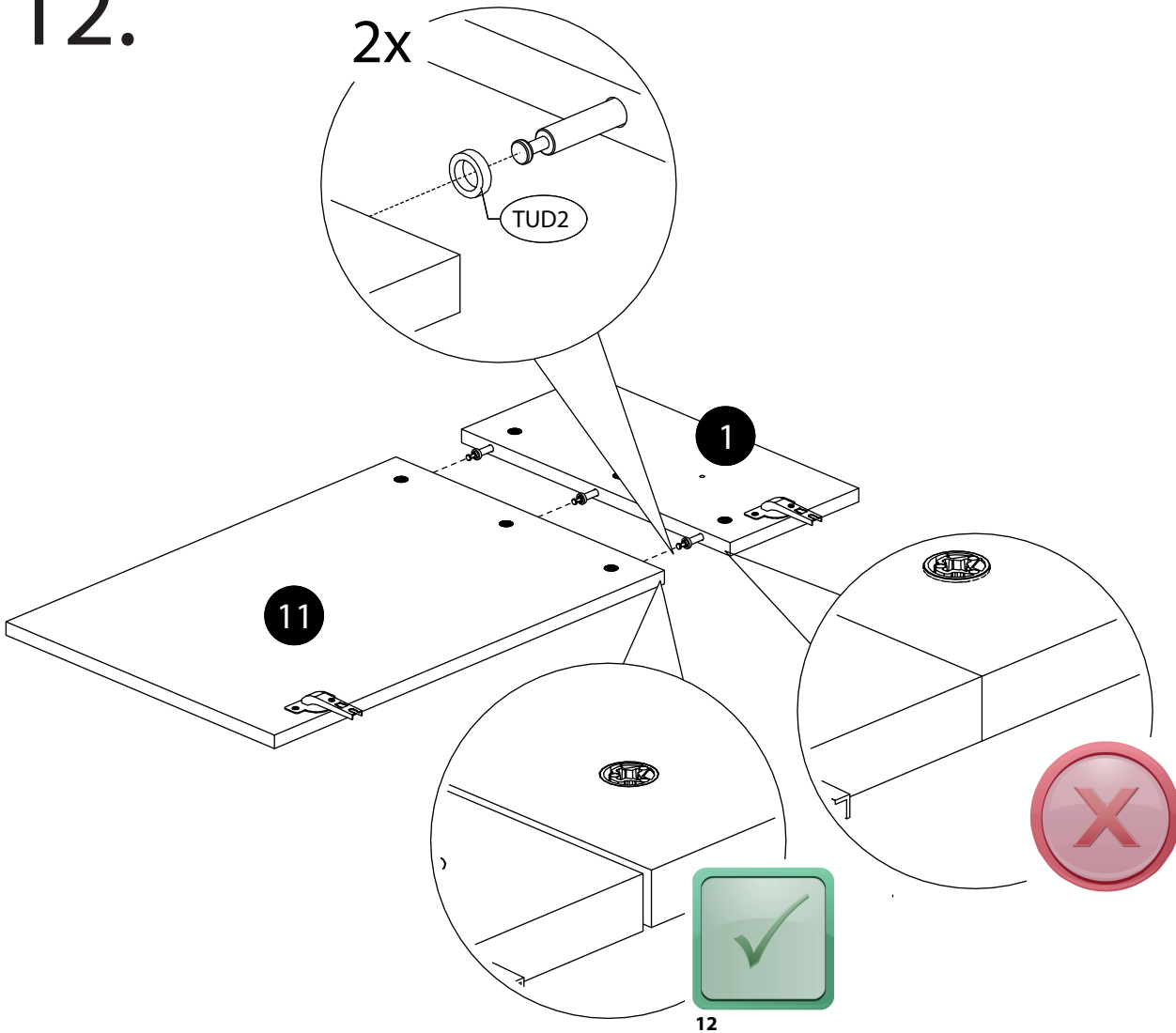
10.



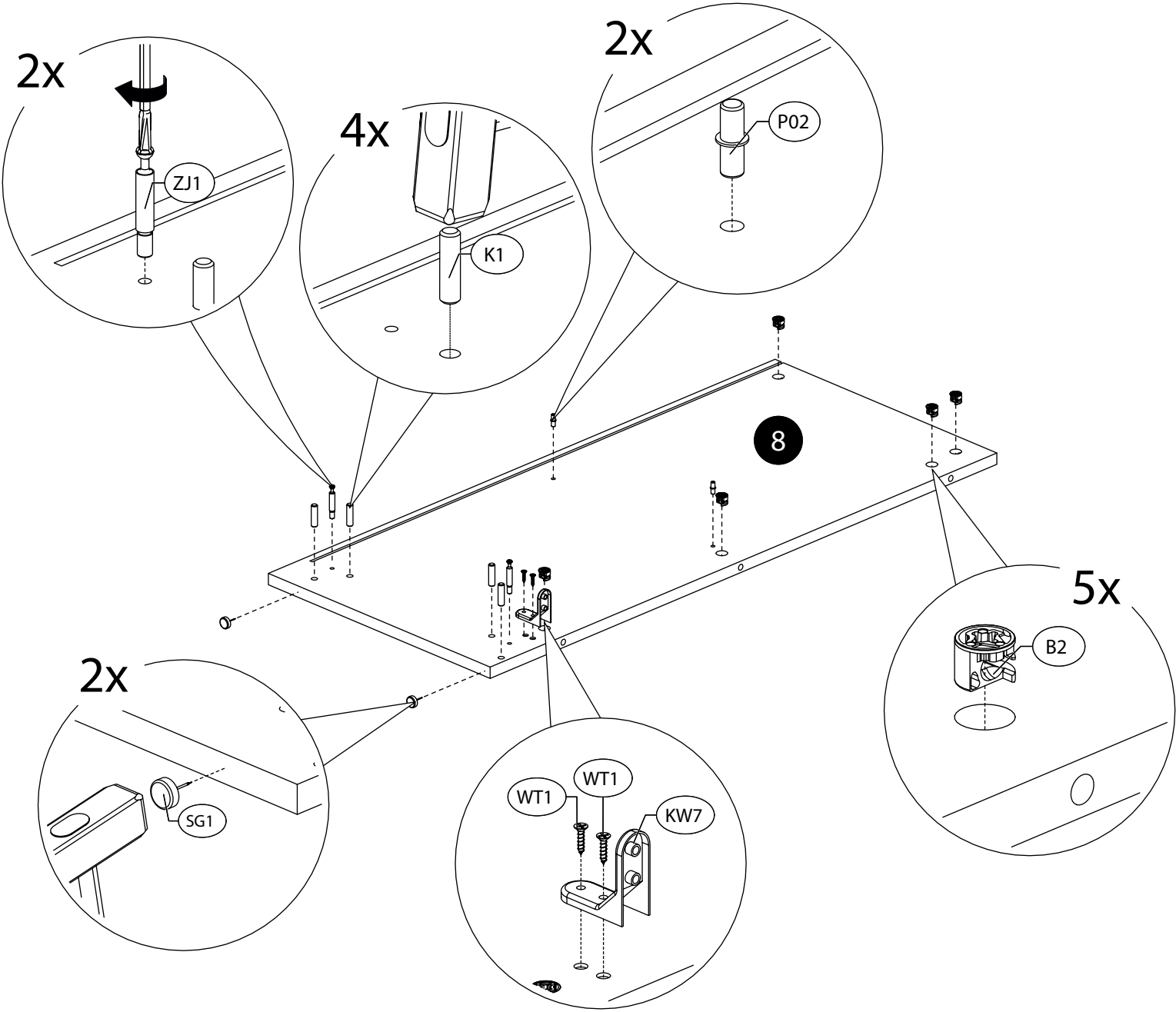
11.



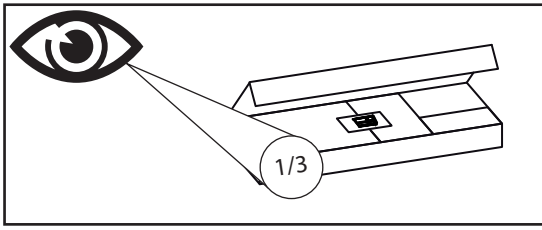
12.



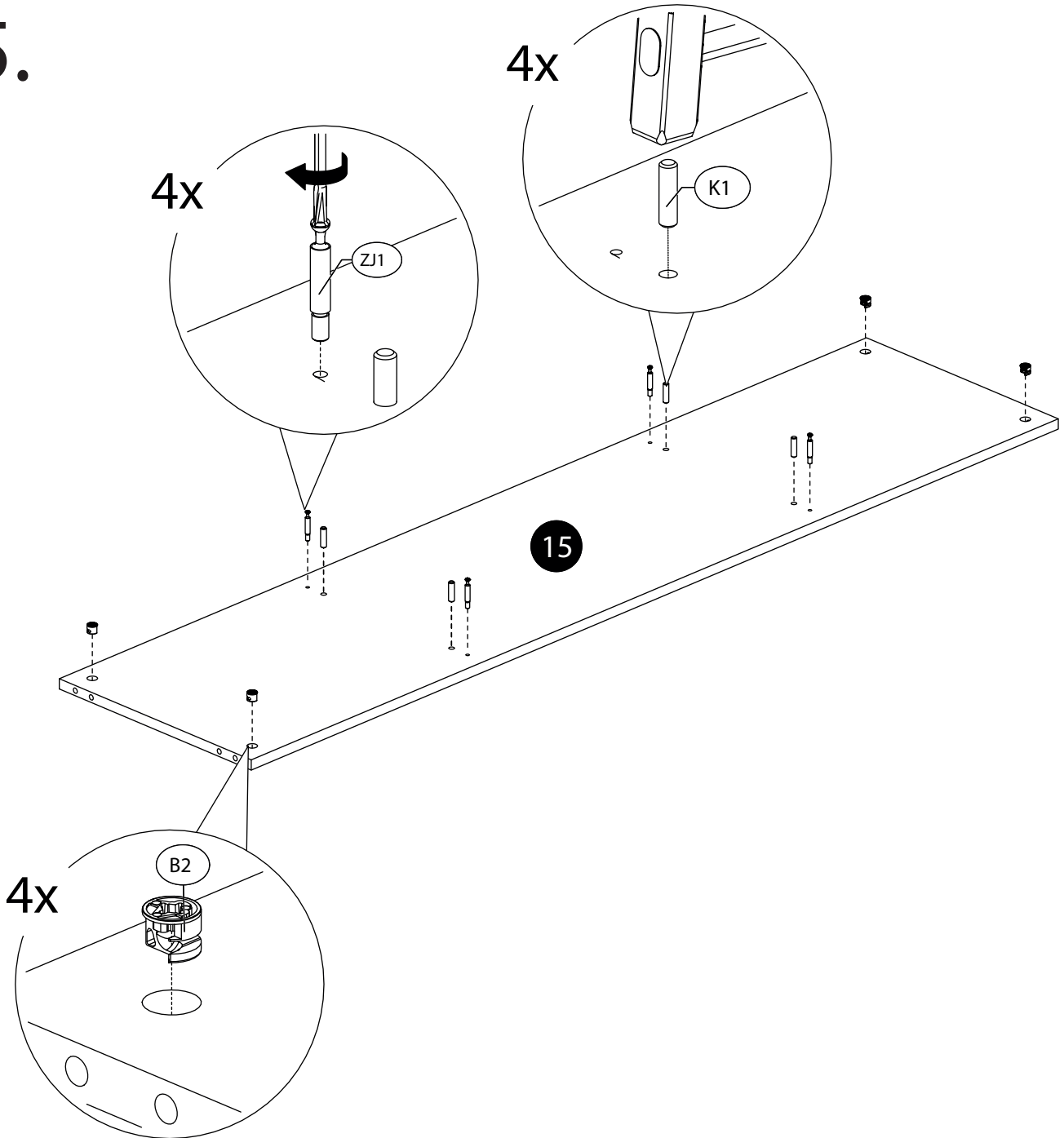
13.



14.

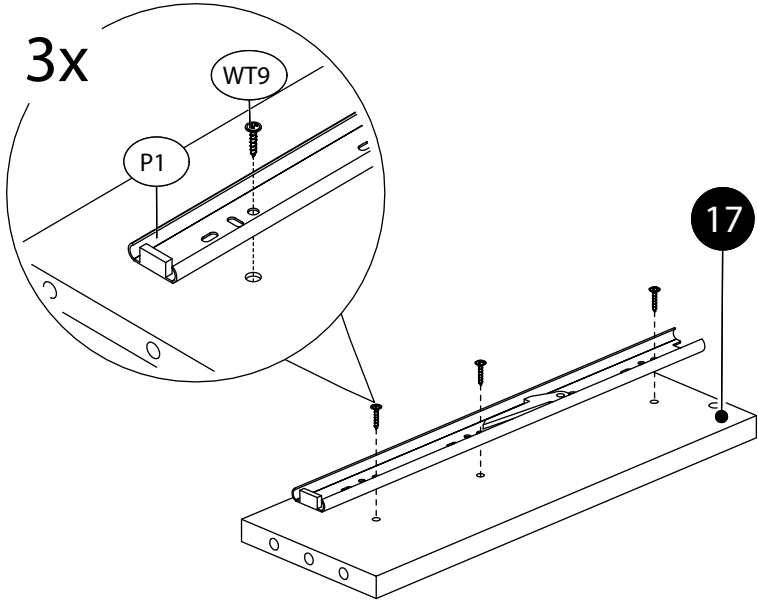


15.



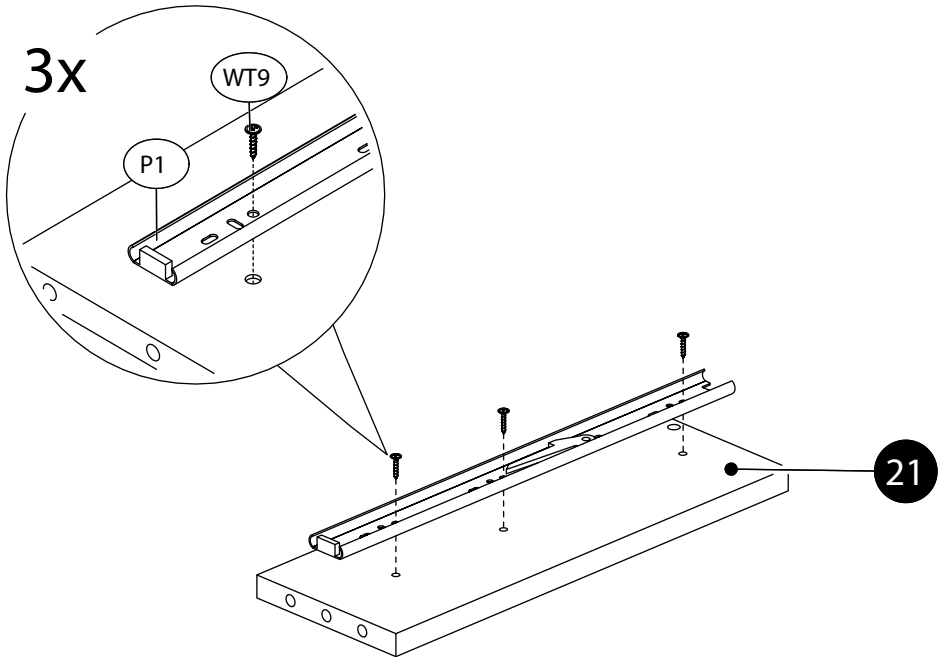
16.

x4

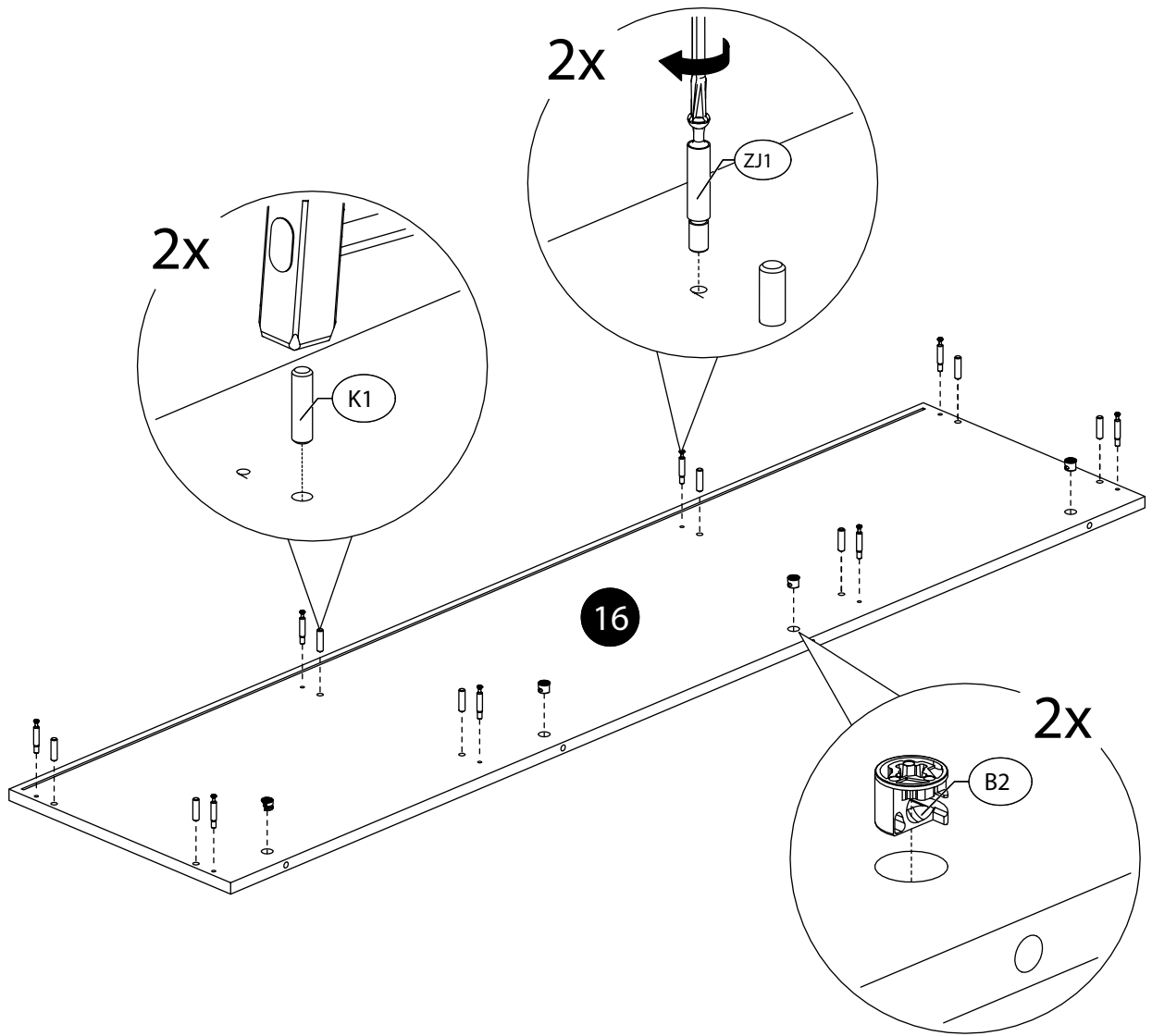


17.

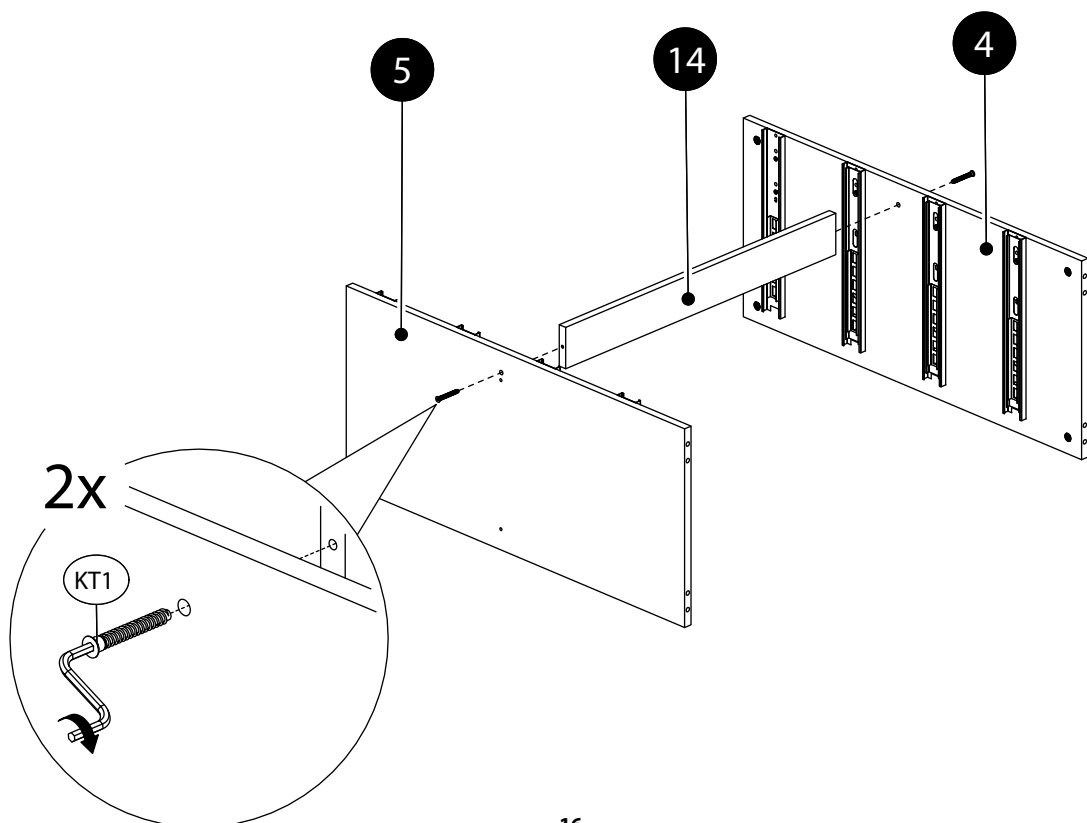
x4



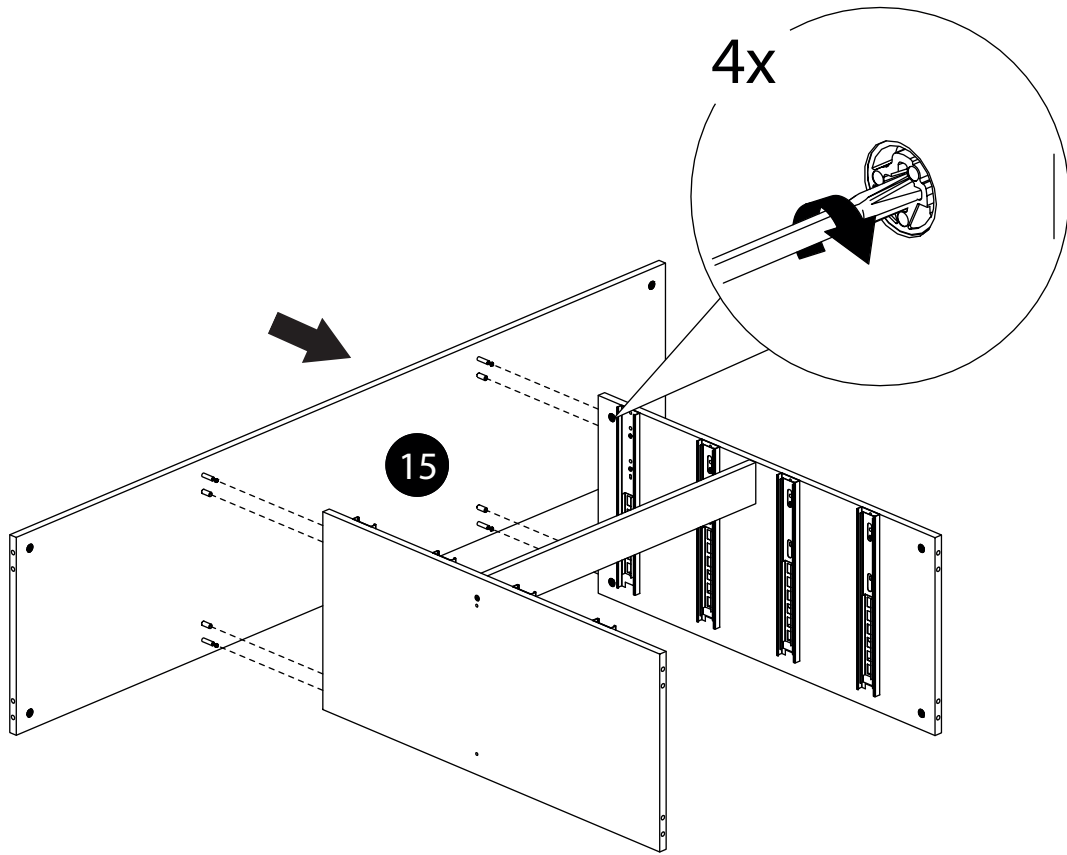
18.



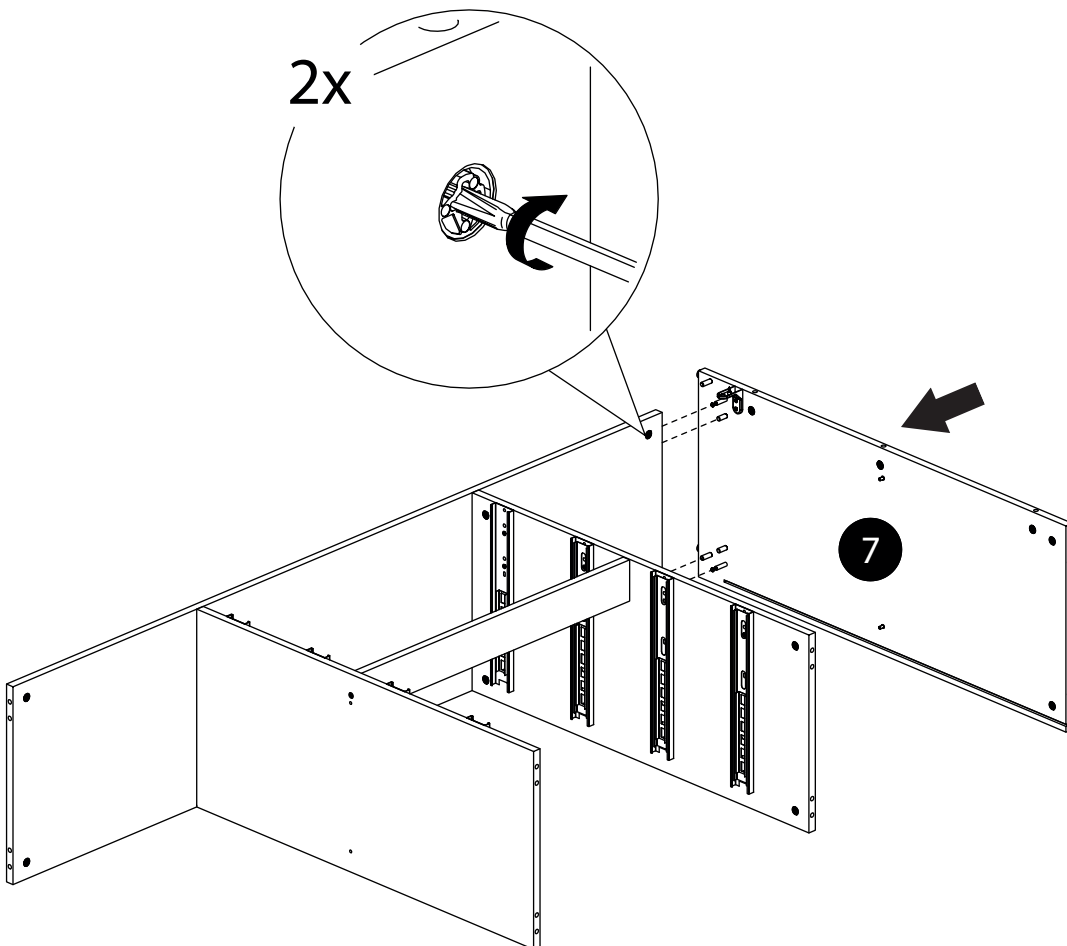
19.



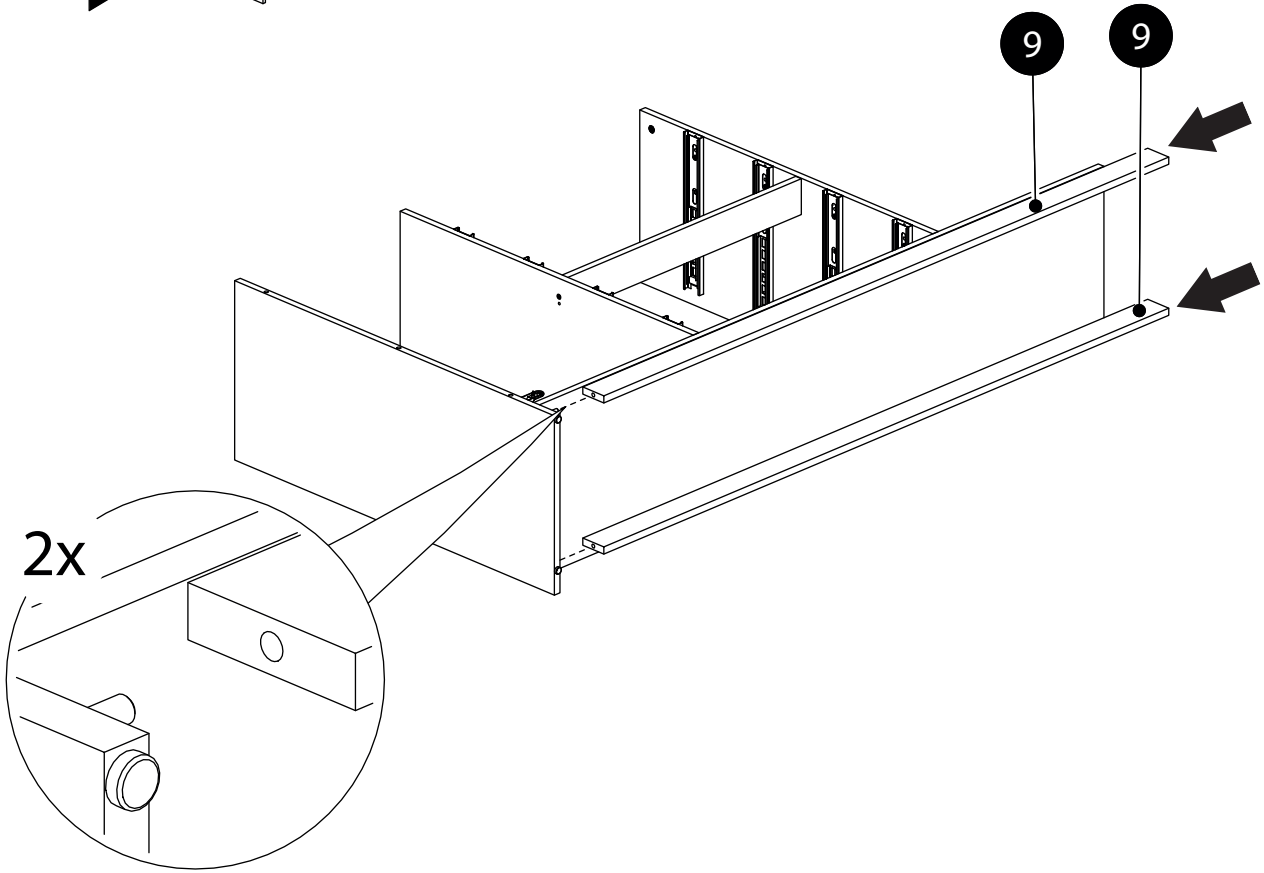
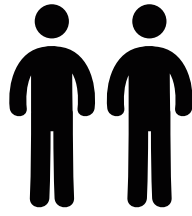
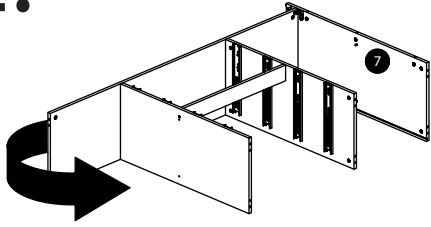
20.



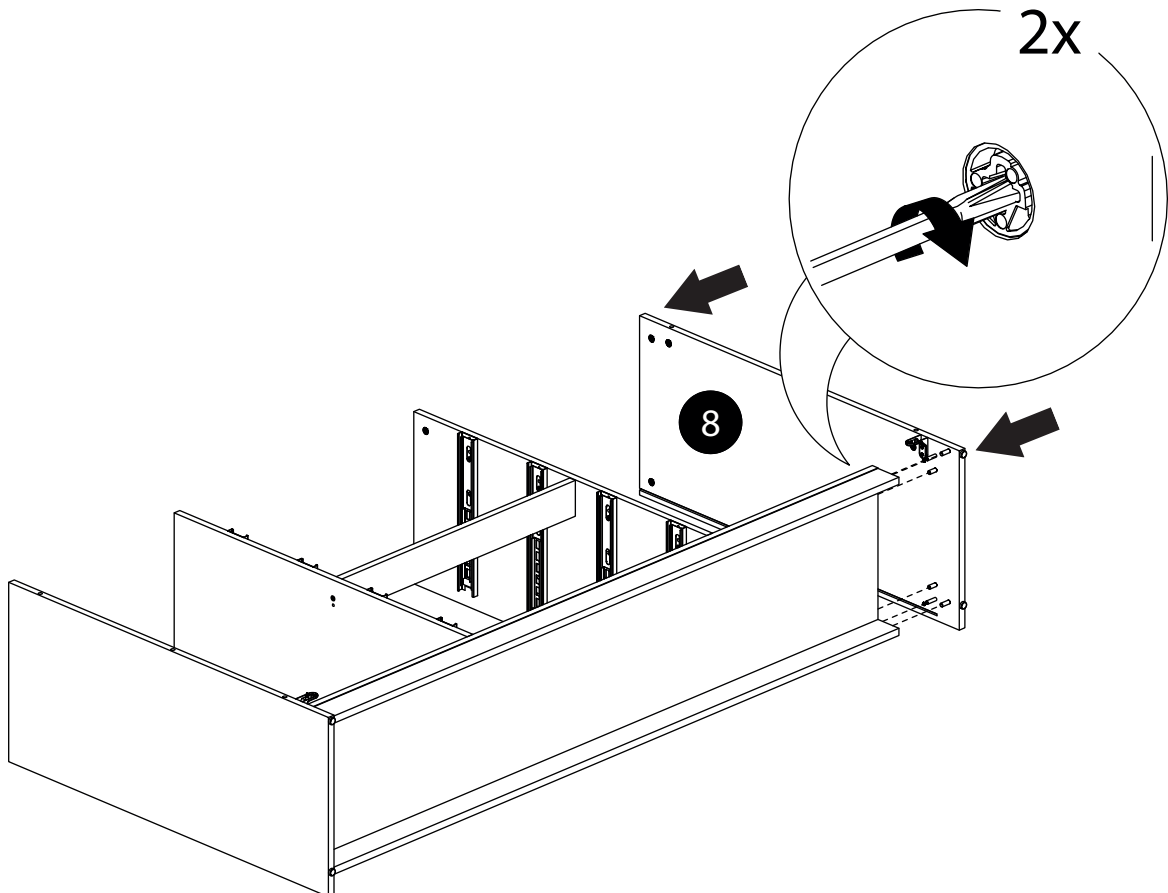
21.



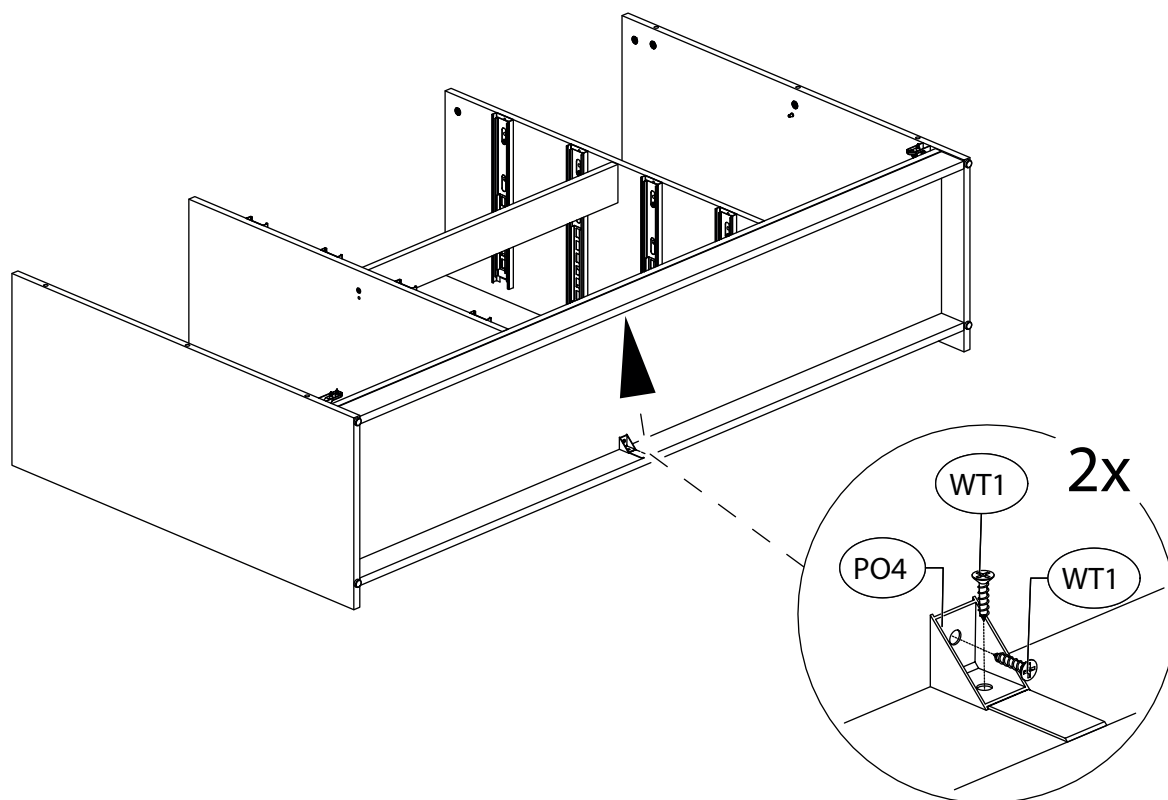
22.



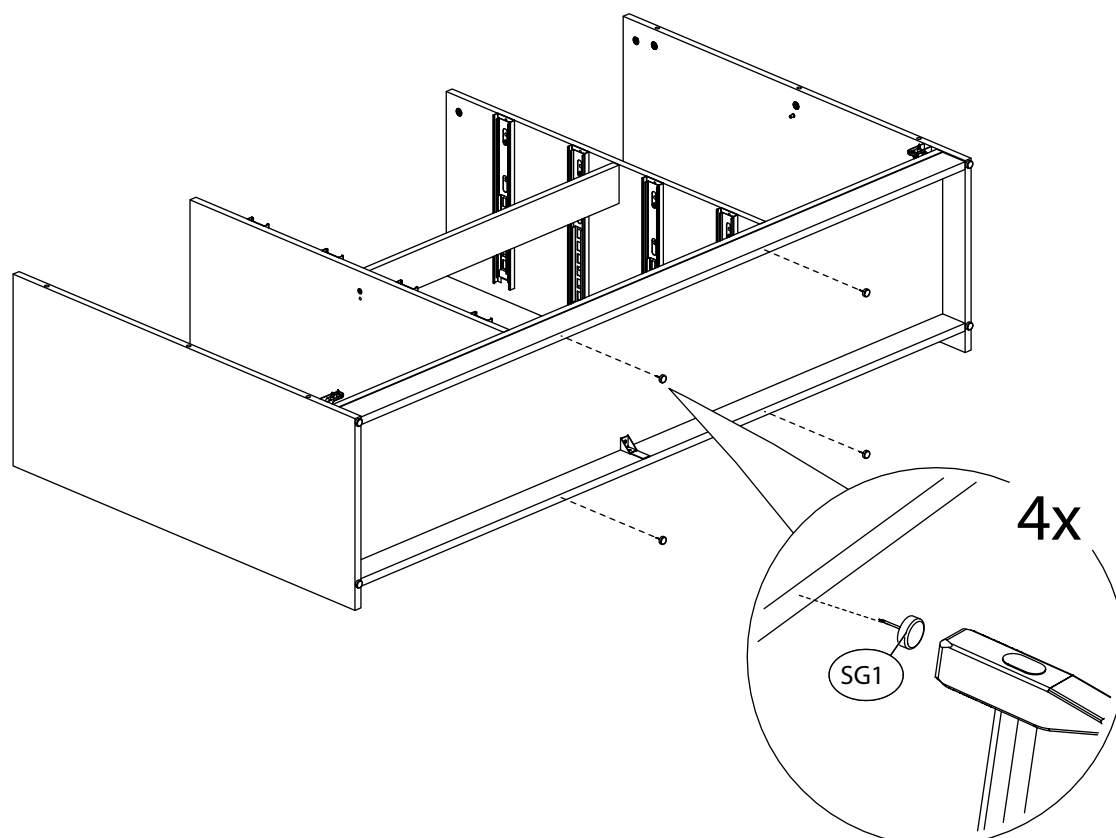
23.



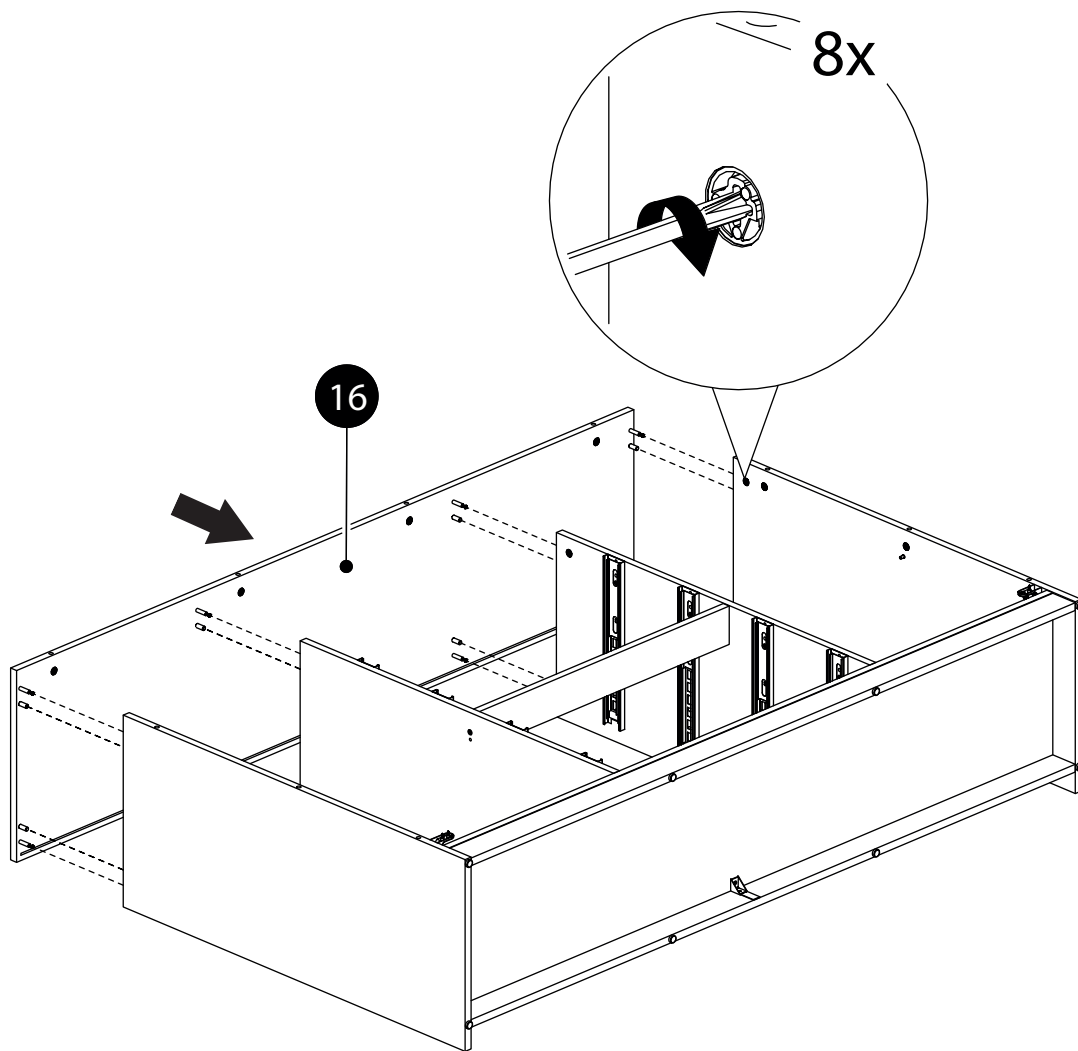
24.



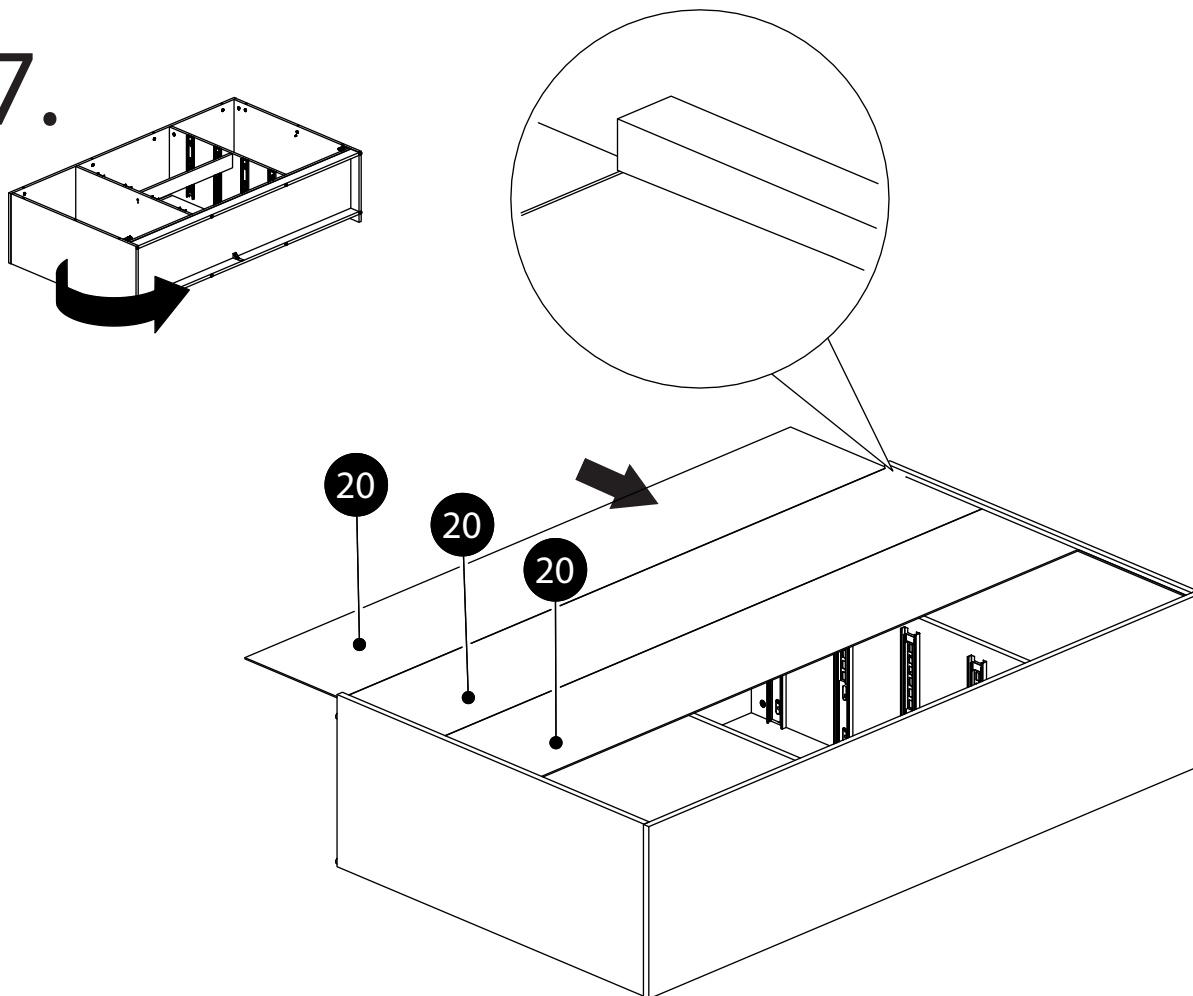
25.



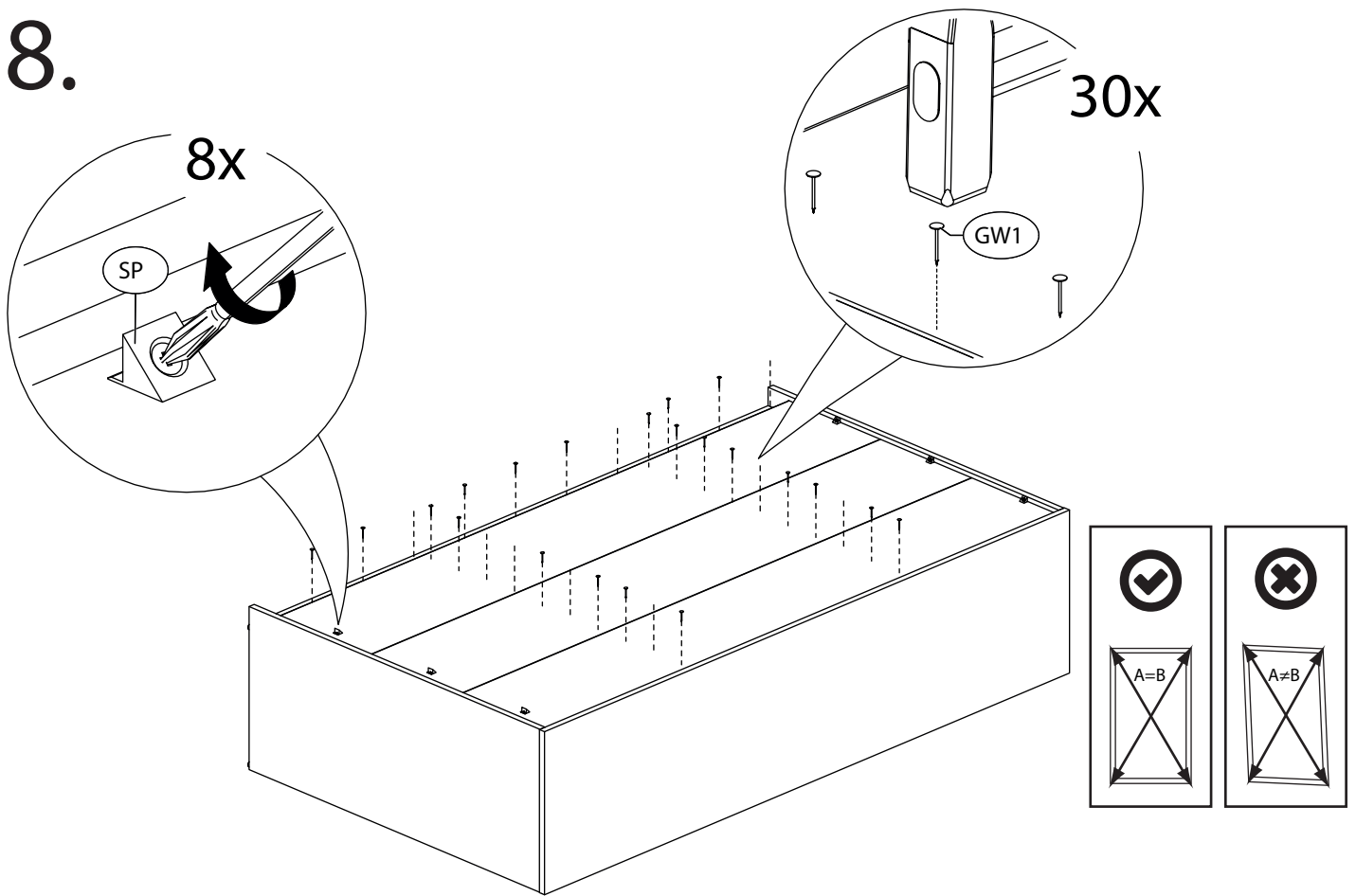
26.



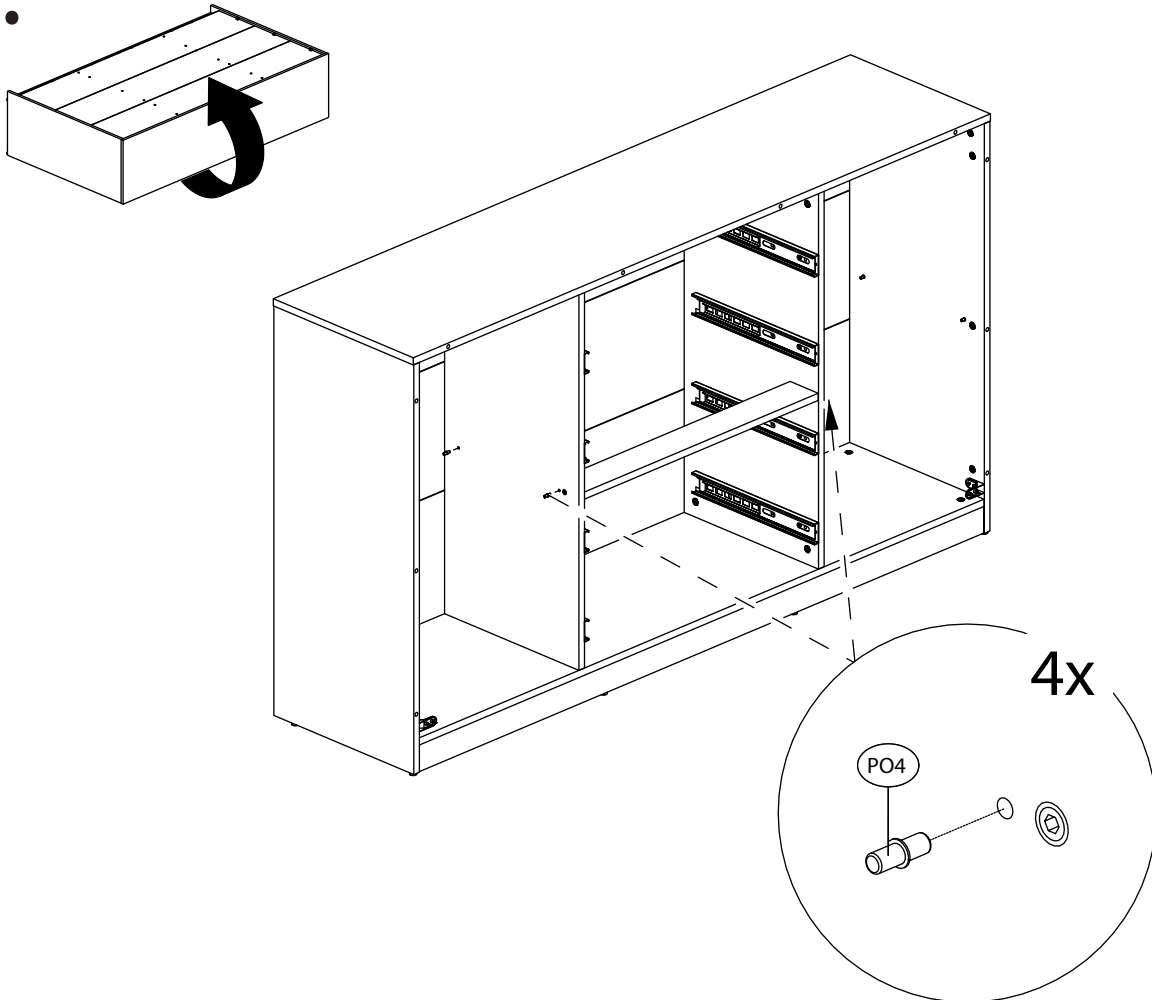
27.



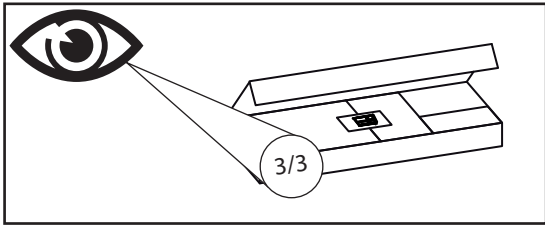
28.



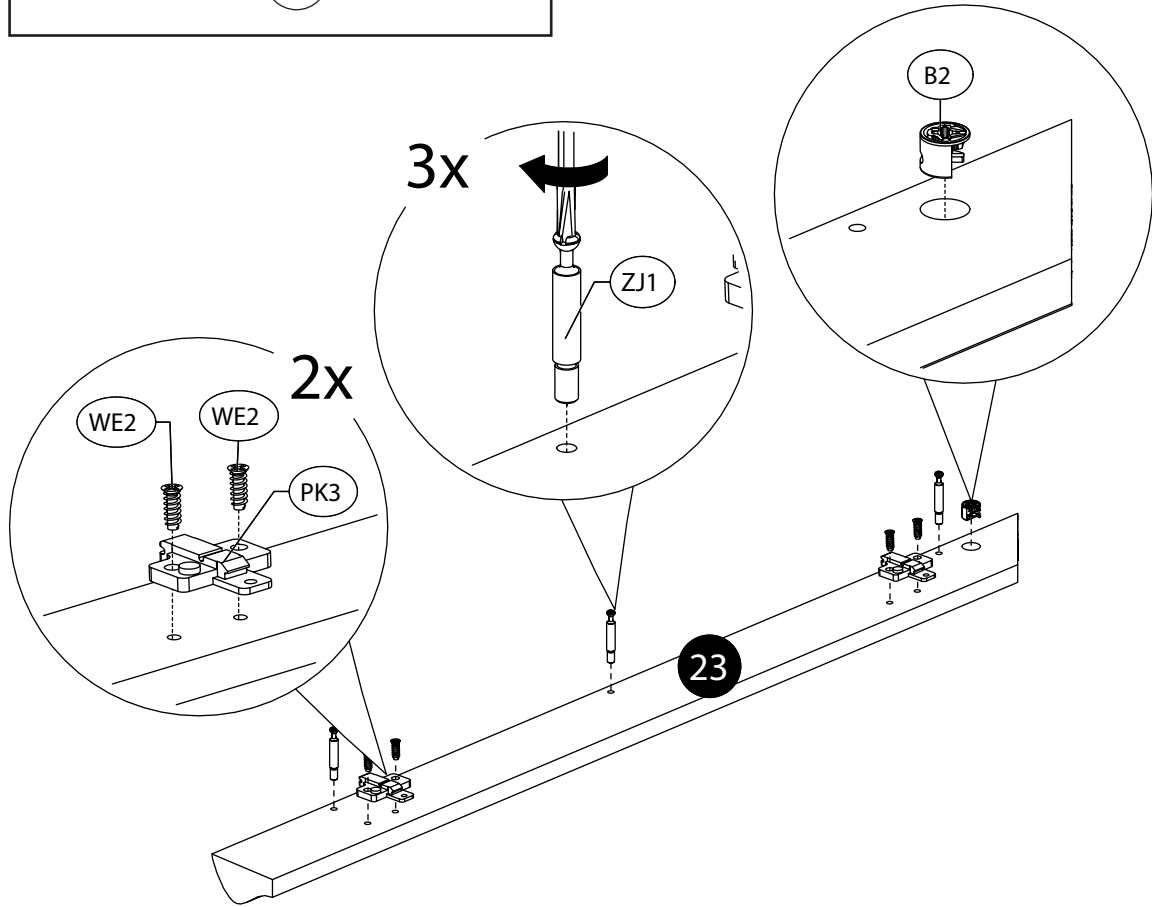
29.



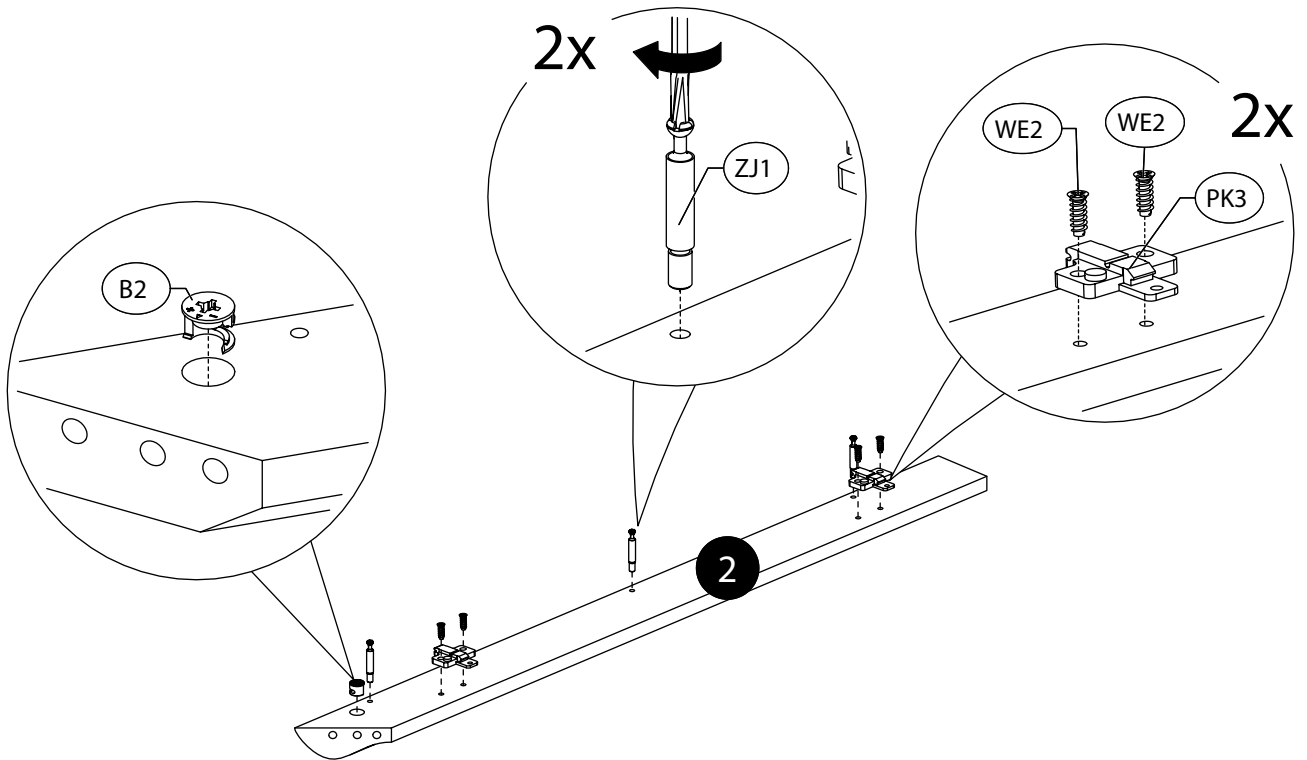
30.



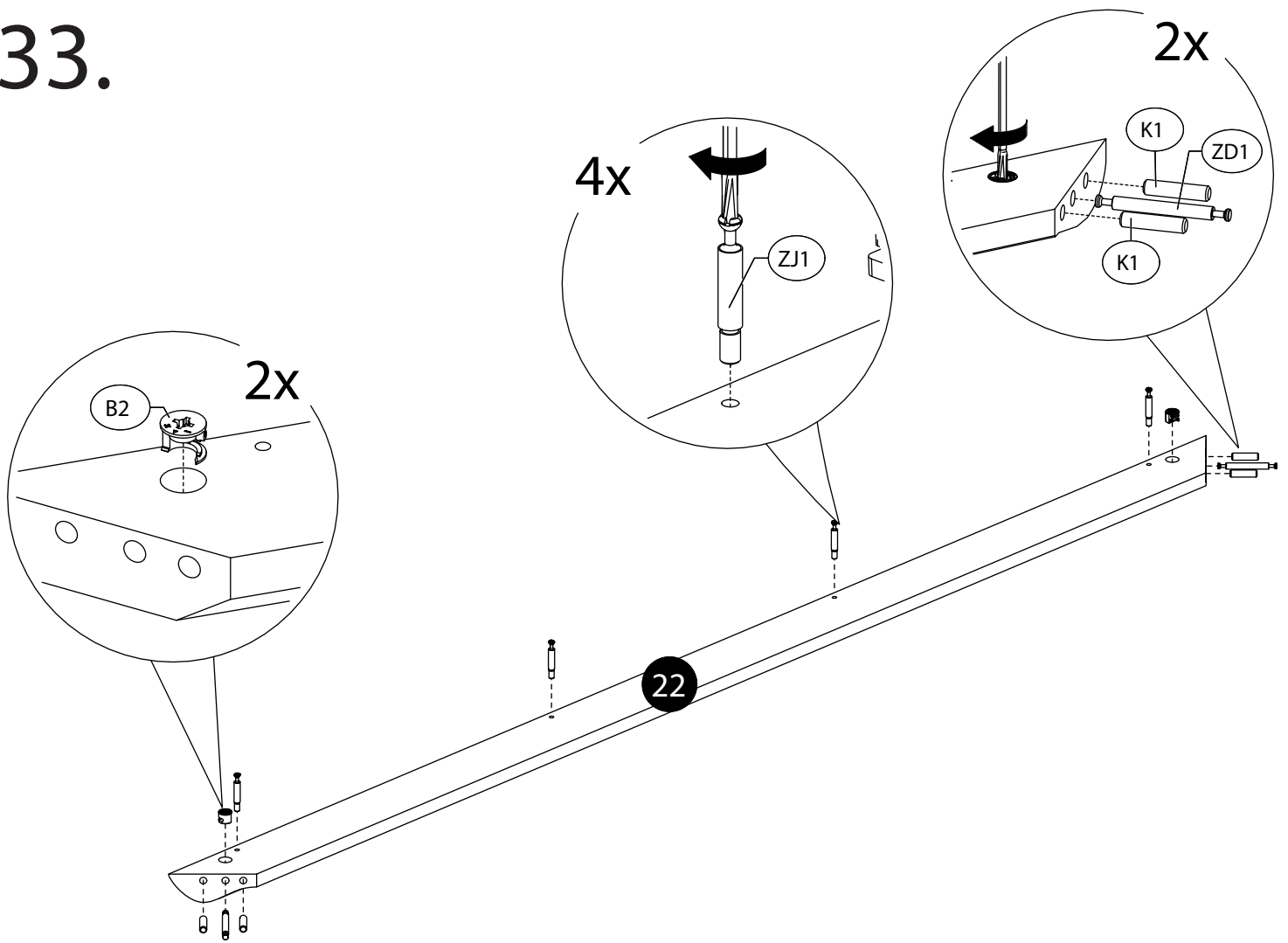
31.



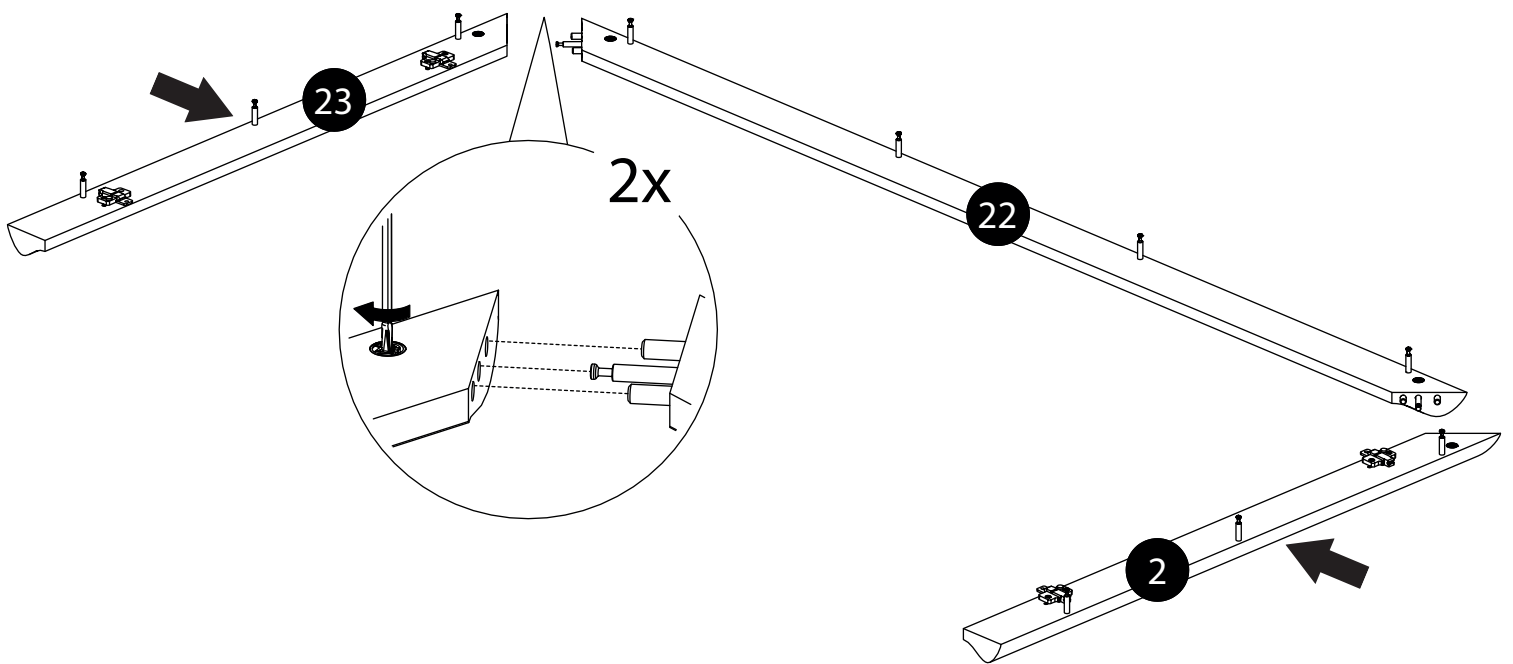
32.



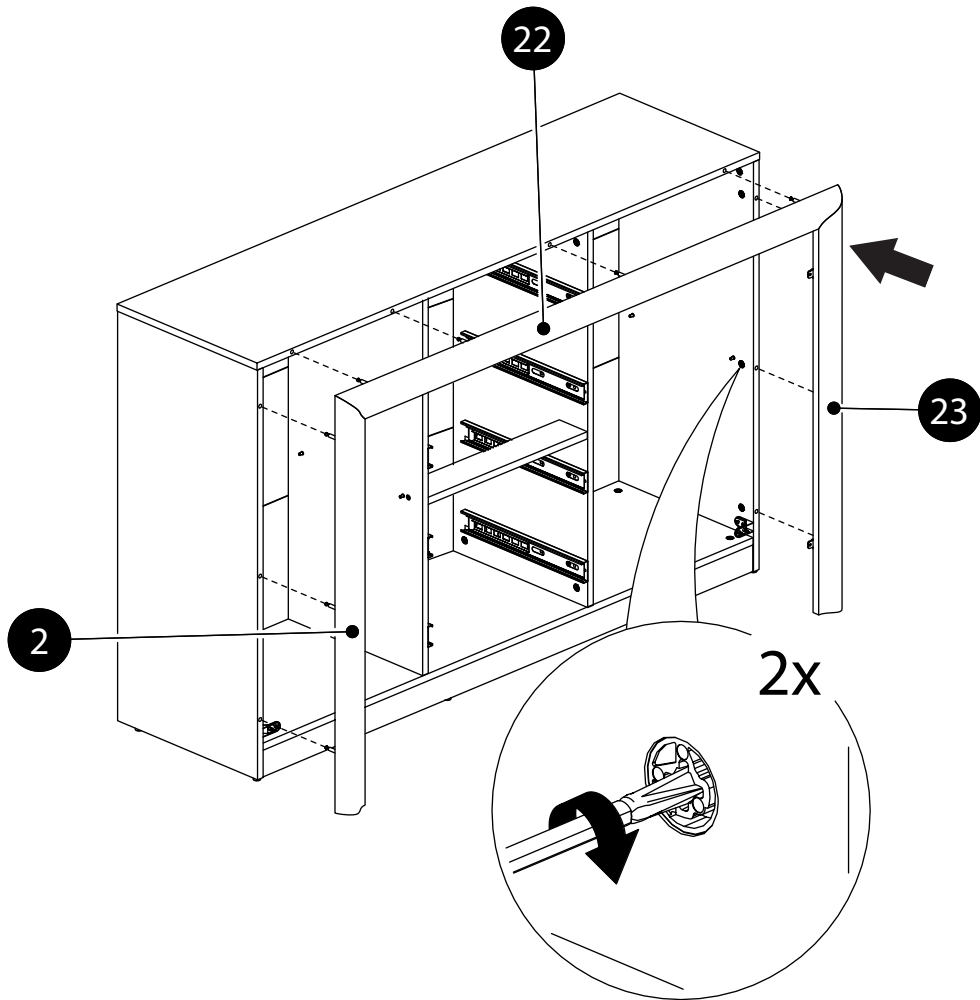
33.



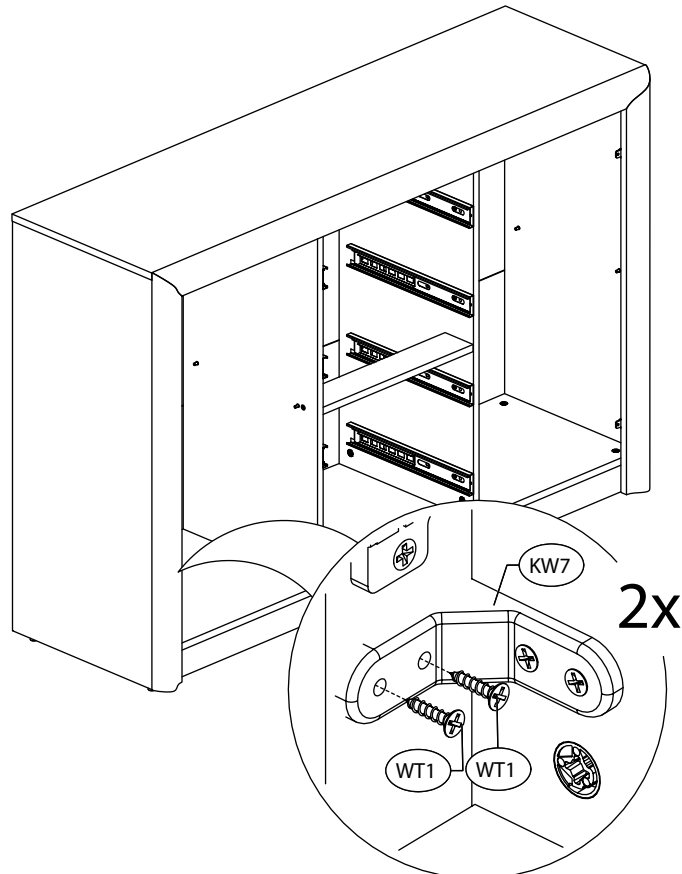
34.



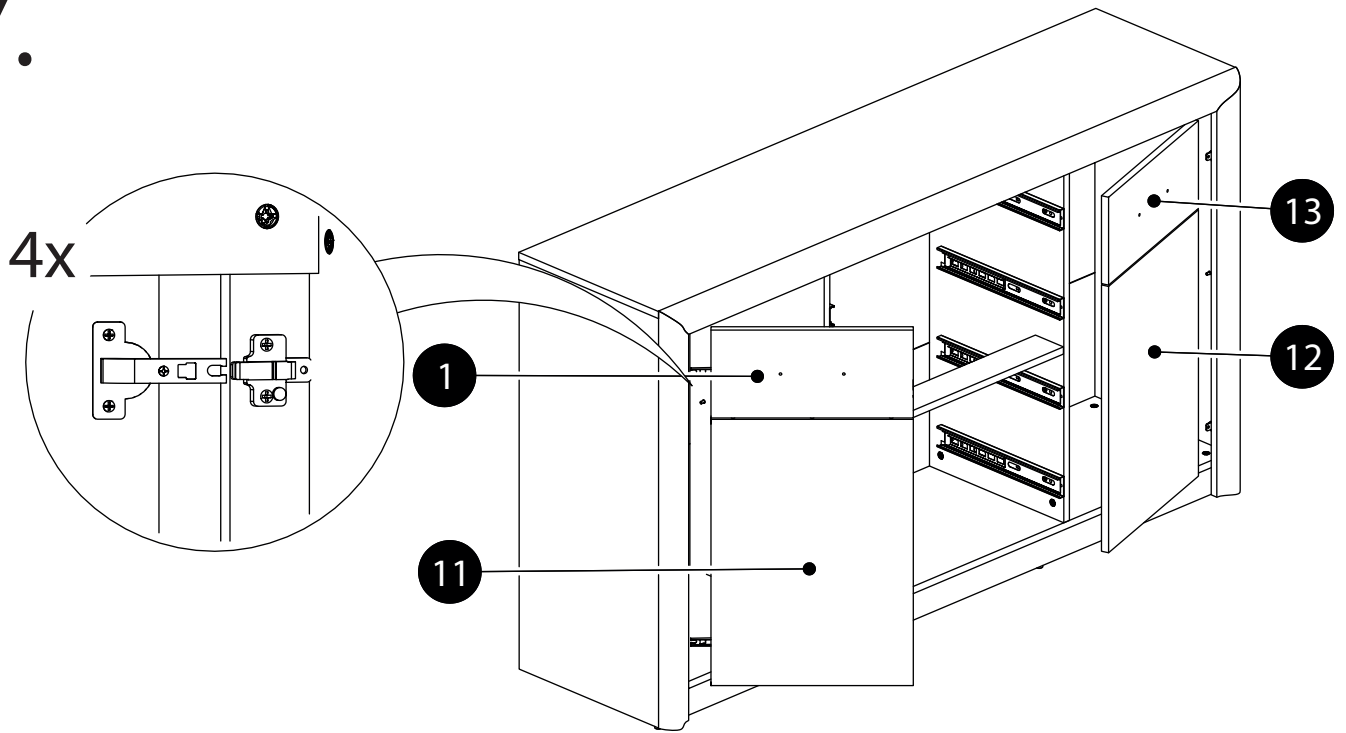
35.



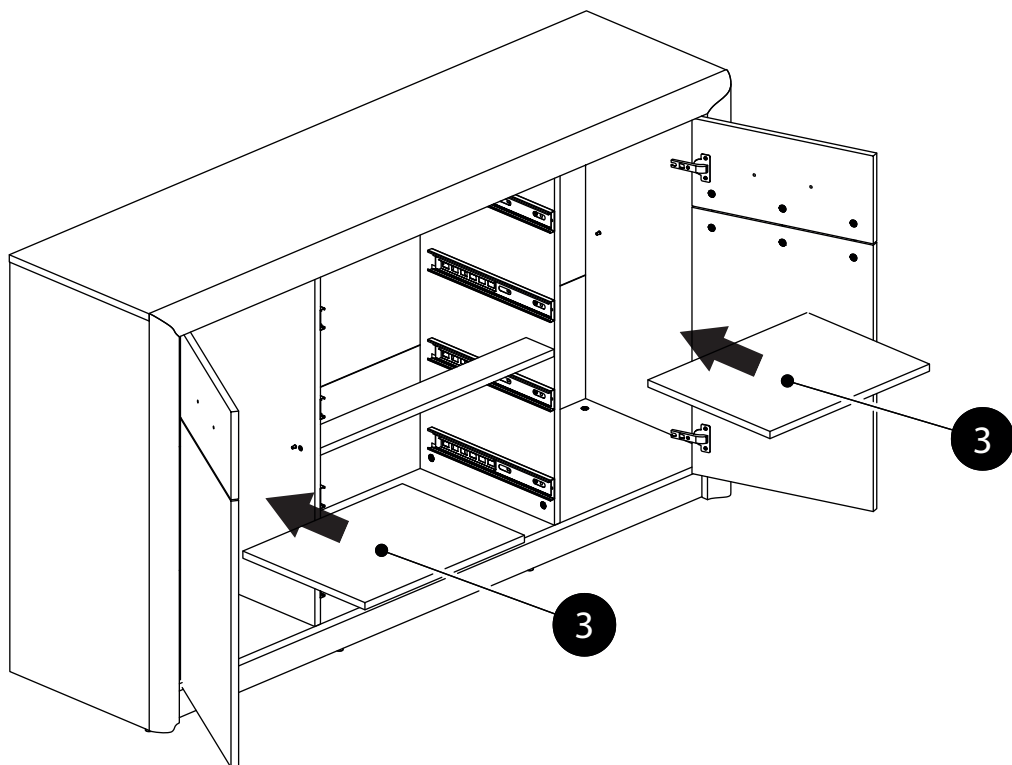
36.



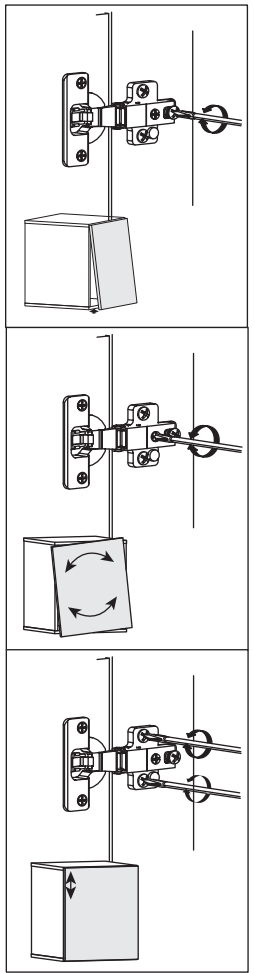
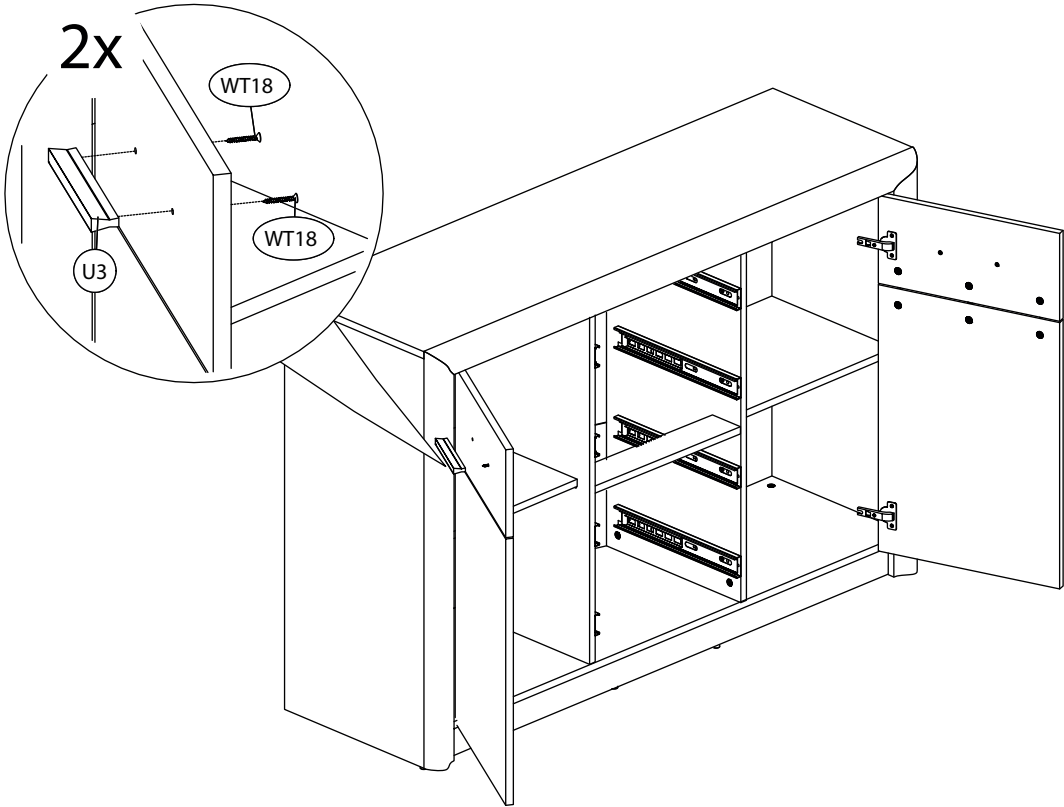
37.



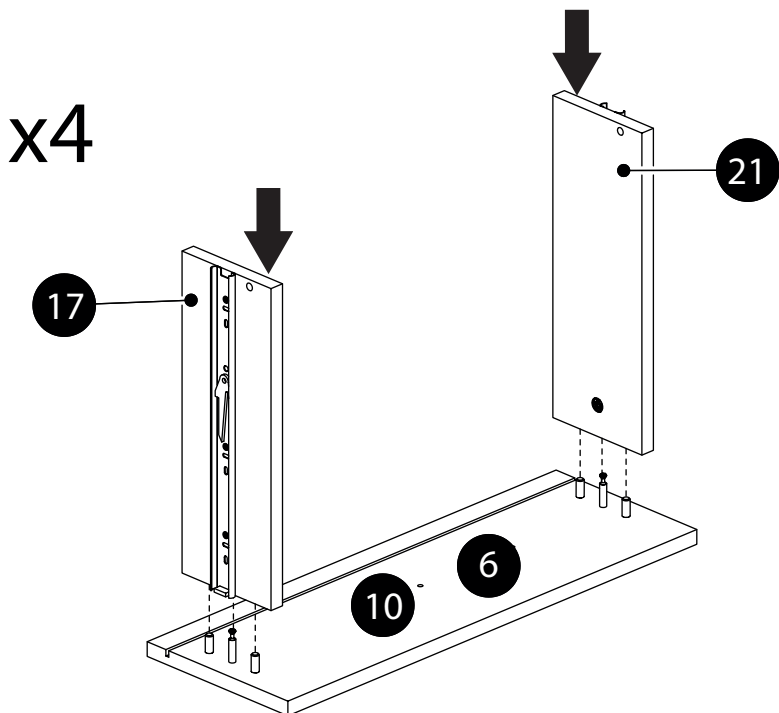
38.



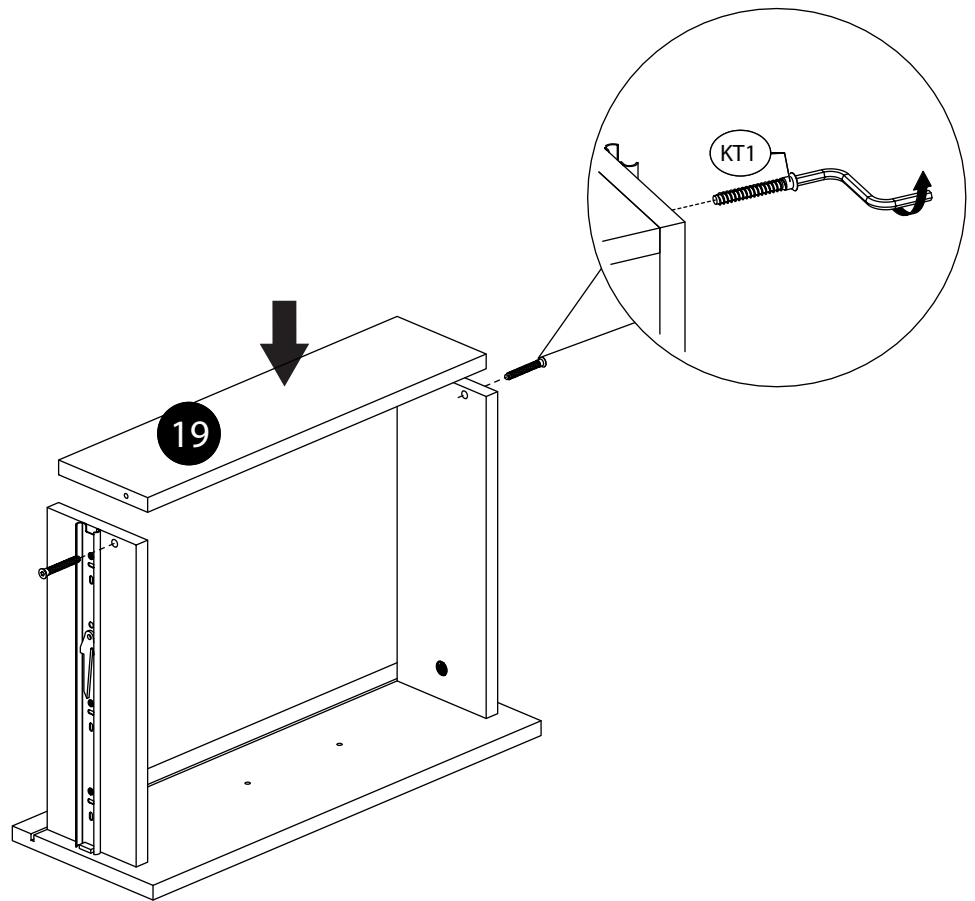
39.



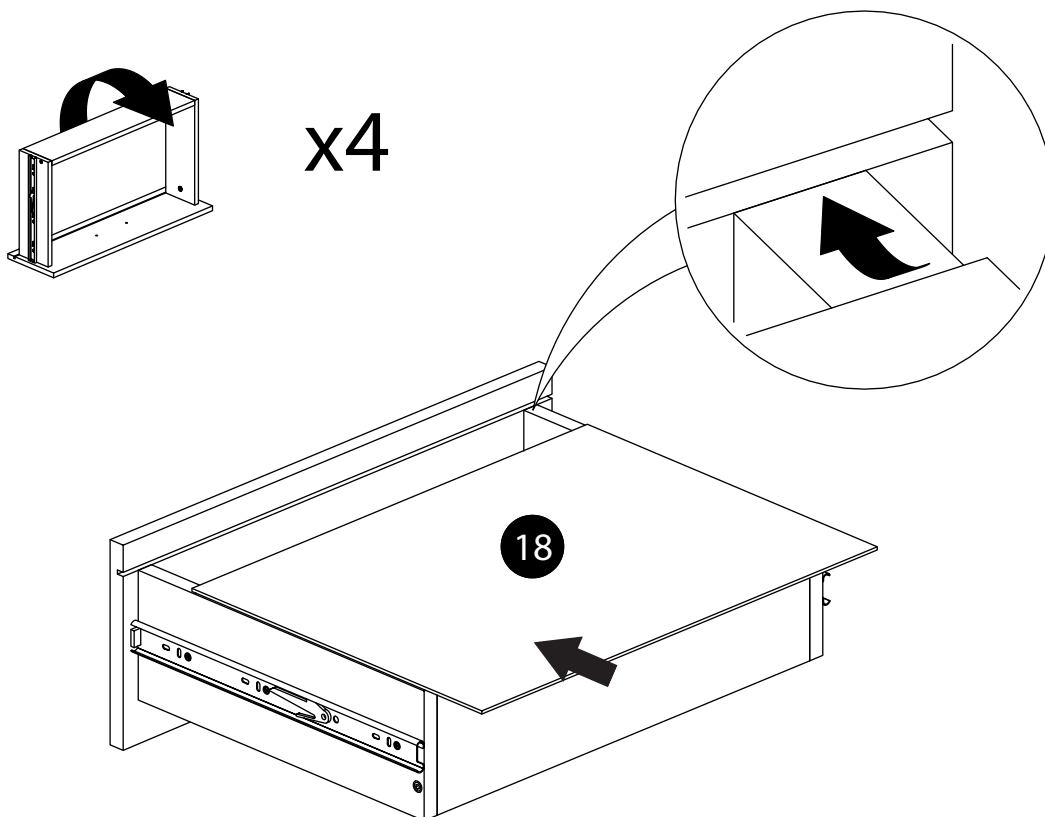
40.



41.

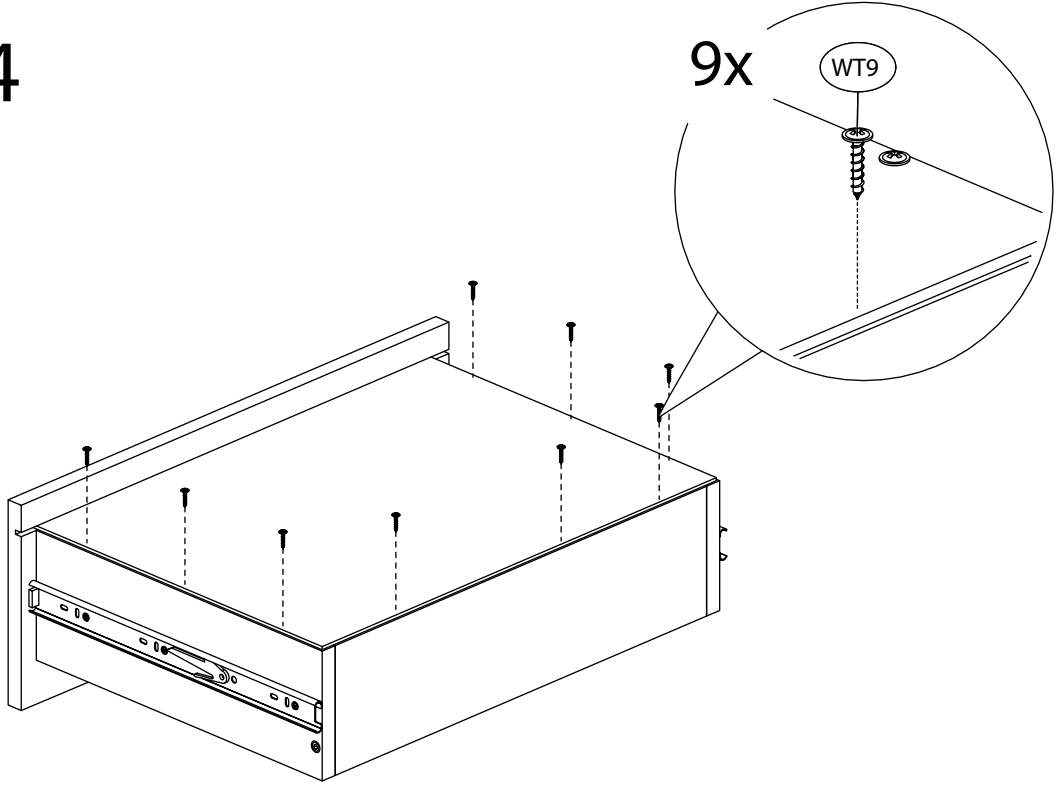


42.



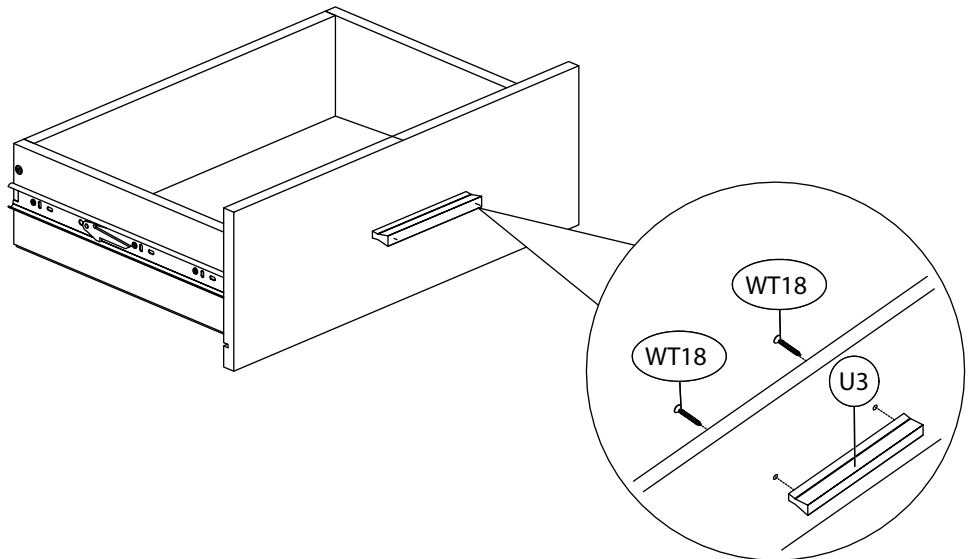
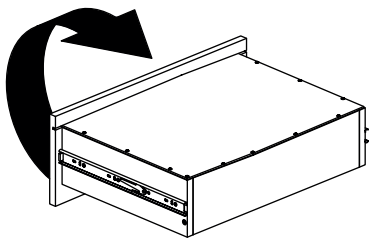
43.

x4

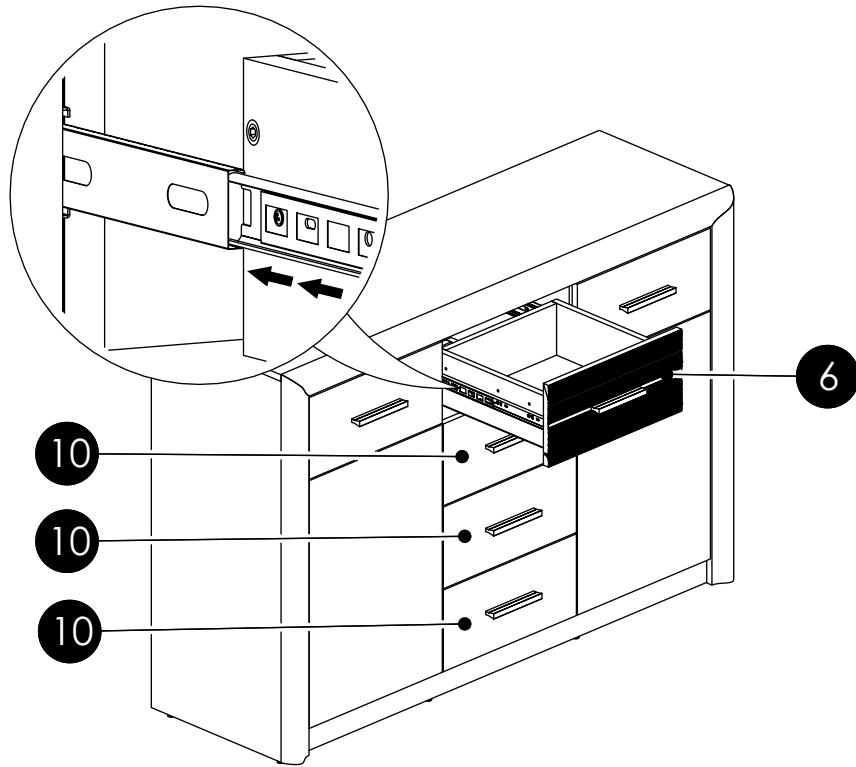


44.

x4



45.



46.

