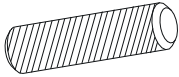
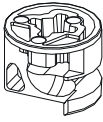



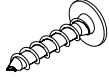
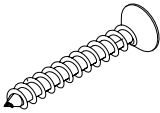
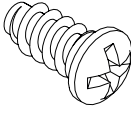
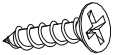
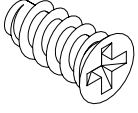


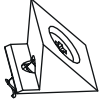
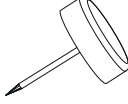

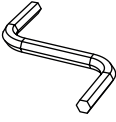
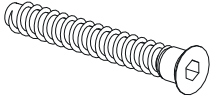
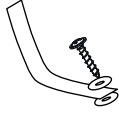



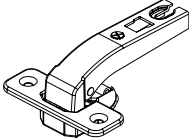
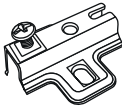
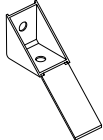
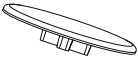
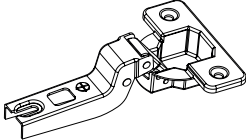
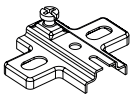
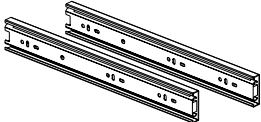
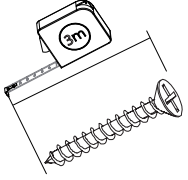










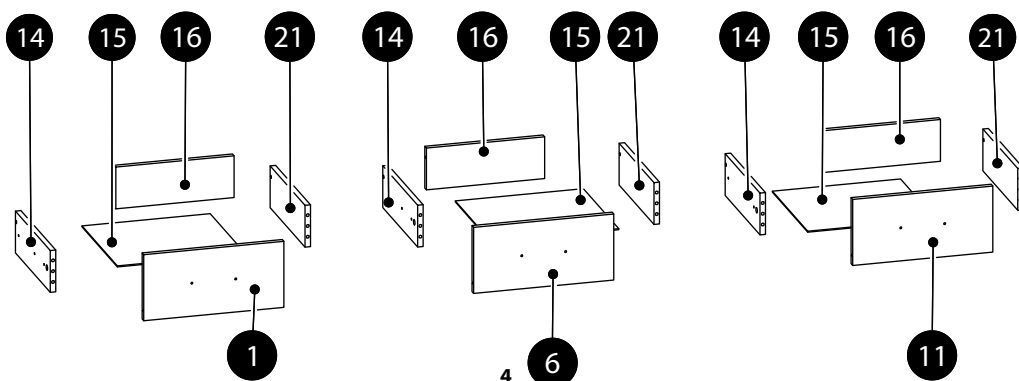
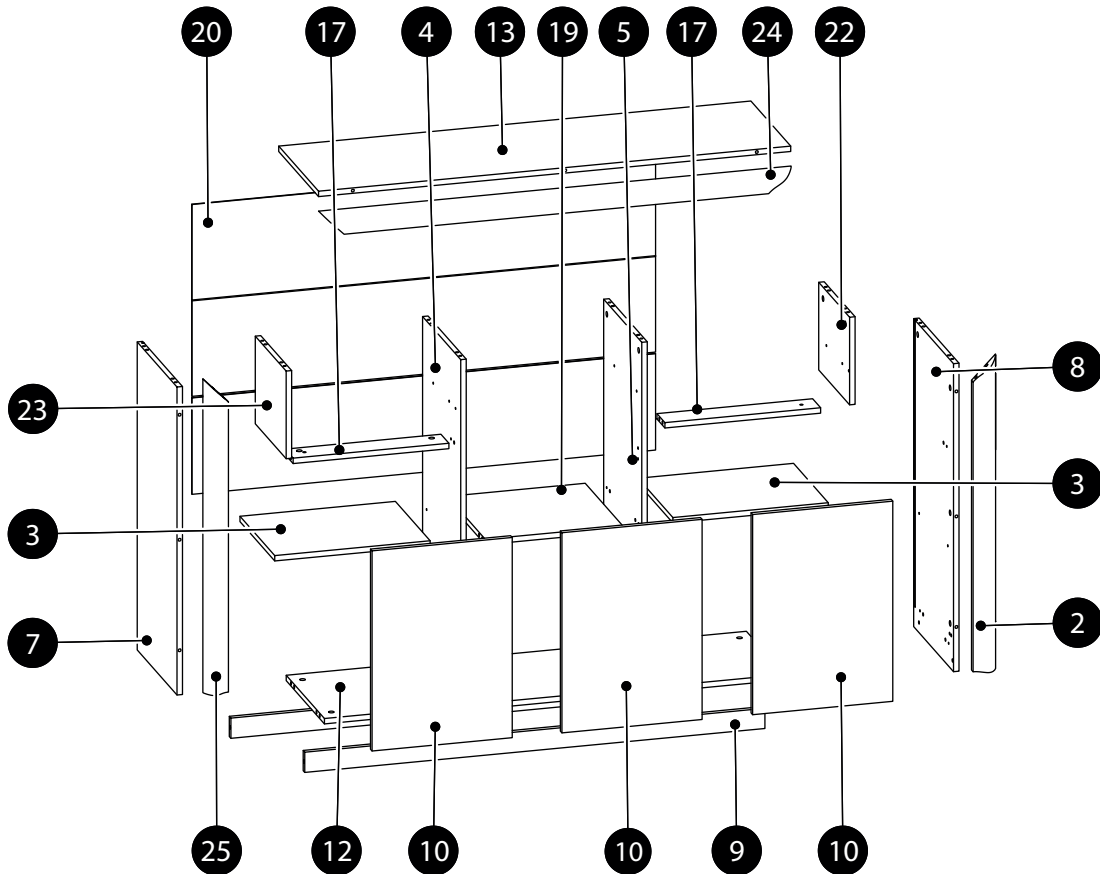
CASTEL 10

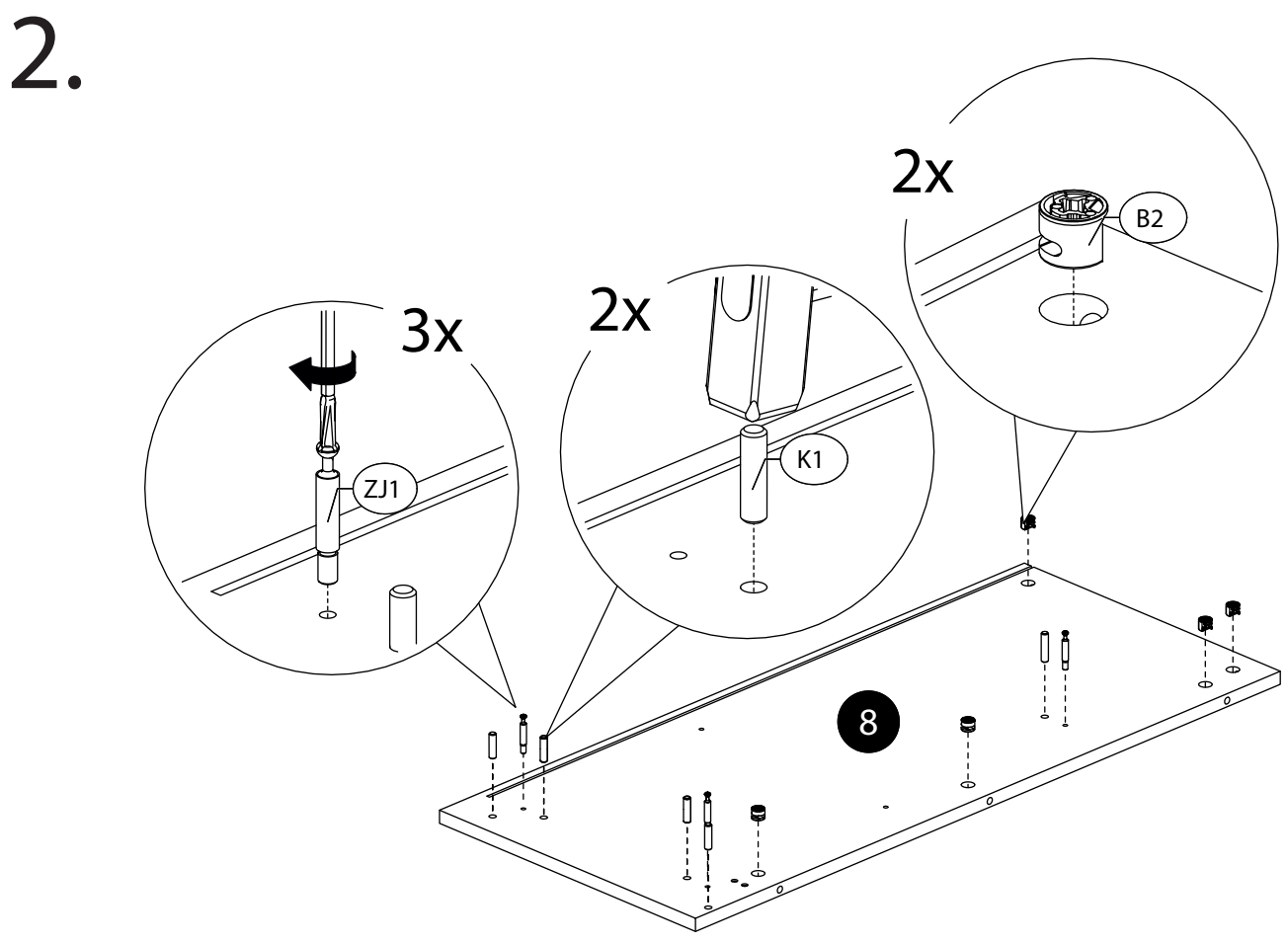
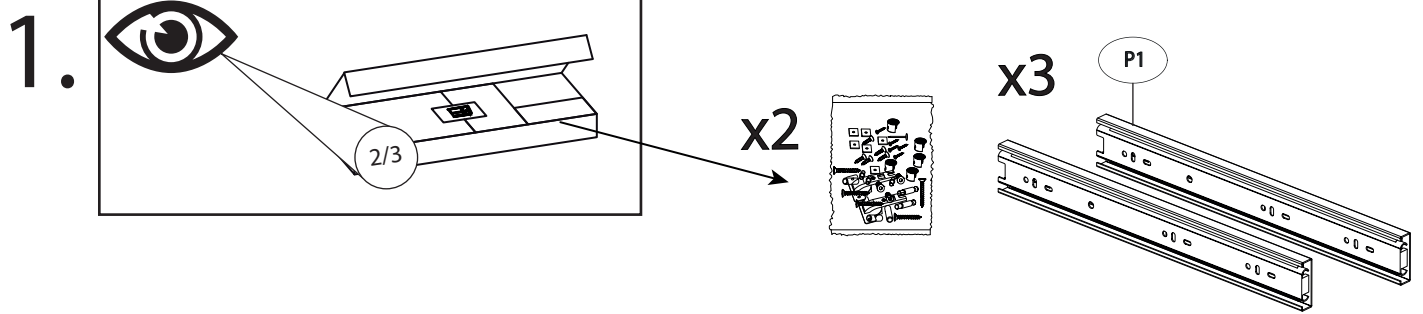
<p>K1 x 48 8x32</p> 	<p>B2 x 47 h-12</p> 	<p>ZD1 x 2 L68</p> 
<p>ZJ1 x 43 L-43</p> 	<p>ZS1 x 6 Ø13</p> 	<p>WT9 x 45 3x16</p> 
<p>WT18 x 12 4x30</p> 	<p>WE2 x 12 EK6,3x13B</p> 	<p>WT1 x 24 3,5x15</p> 
<p>WE7 x 18 ES6,3x13KBH</p> 	<p>GW1 x 22 1,4x25</p> 	<p>PO2 x 8 Ø5</p> 
<p>SP x 7</p> 	<p>SG1 x 8</p> 	<p>TUD2 x 6 8,2x12x3</p> 
<p>x 1</p> 	<p>KT1 x 8 6,3x50</p> 	<p>PZK x 1</p> 
<p>U3 x 6 L-148</p> 	<p>KL x 1</p> 	<p>KW7 x 2 50x50</p> 
<p>ZP8 x 4 ROWN</p> 	<p>PK3 x 4 H-2</p> 	<p>PO4 x 2</p> 
<p>ZM1 x 16 Ø18</p> 	<p>ZP9 x 2 WEWN</p> 	<p>PK1 x 2 H-0</p> 
<p>P1 x 3 L-350</p> 	<div style="border: 2px solid black; padding: 10px; display: flex; align-items: center;"> <div style="font-size: 48px; margin-right: 20px;">!</div>  </div>	

CASTEL 10

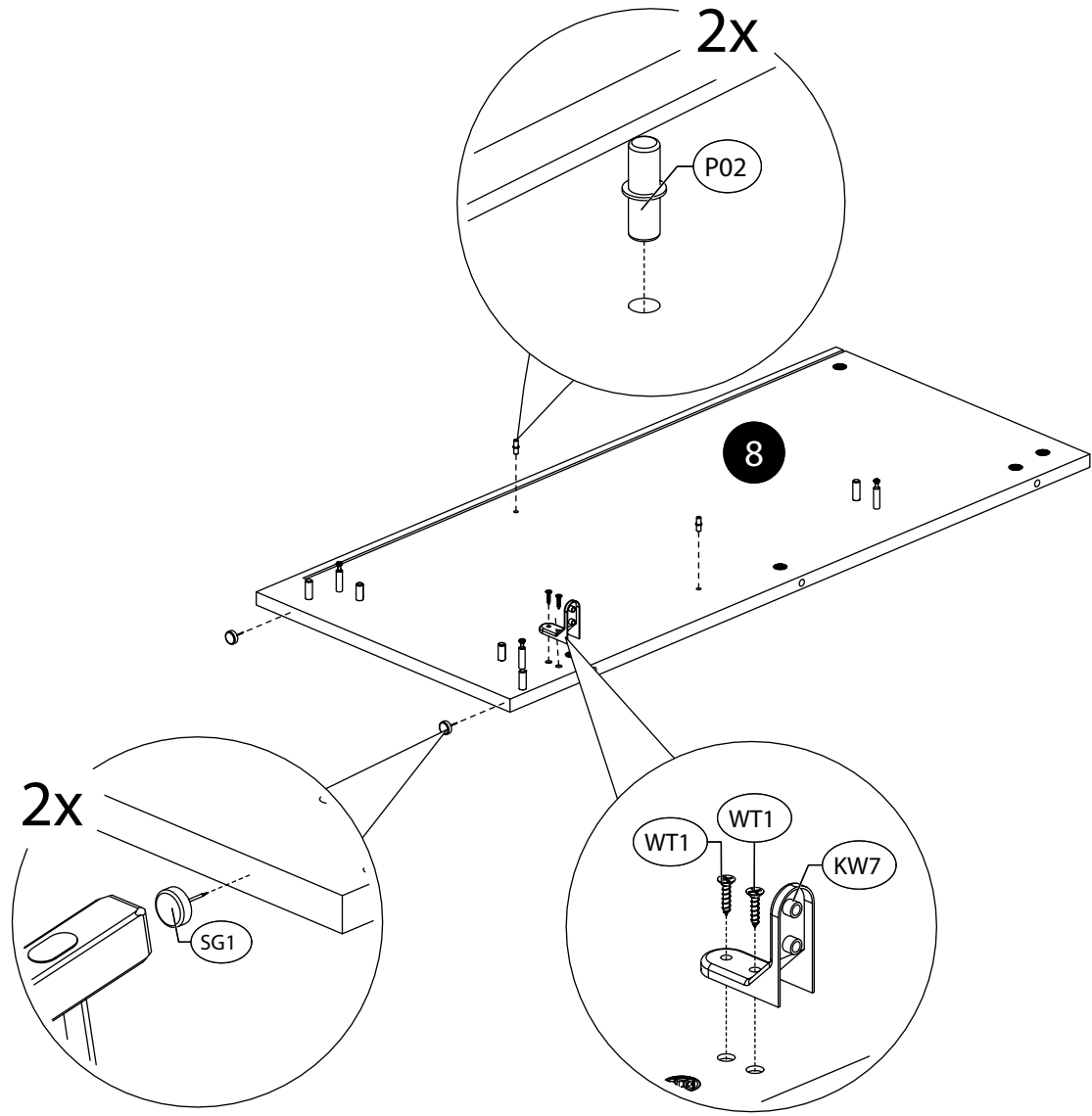
	CODE				
1	Castel10_24	409	196	1	2/3
2	Castel10_22	931	70	1	3/3
3	Castel10_10	453	349	2	1/3
4	Castel10_03	838	383	1	2/3
5	Castel10_04	838	383	1	2/3
6	Castel10_25	409	196	1	2/3
7	Castel10_01	914	400	1	2/3
8	Castel10_02	914	400	1	2/3
9	Castel10_12	1343	60	2	1/3
10	Castel10_11	409	594	3	2/3
11	Castel10_26	409	196	1	2/3
12	Castel10_05	1343	384	1	1/3

	CODE				
13	Castel10_06	1378	400	1	1/3
14	Castel10_07	124	350	3	1/3
15	Castel10HDF_02	374	355	3	1/3
16	Castel10_09	124	345	3	1/3
17	Castel10_18	454	80	2	2/3
19	Castel10_13	402	380	1	2/3
20	Castel10HDF_01	286	1353	3	1/3
21	Castel10_08	124	350	3	1/3
22	Castel10_17	260	310	1	1/3
23	Castel10_16	260	310	1	1/3
24	Castel10_23	1379	70	1	3/3
25	Castel10_21	931	70	1	3/3

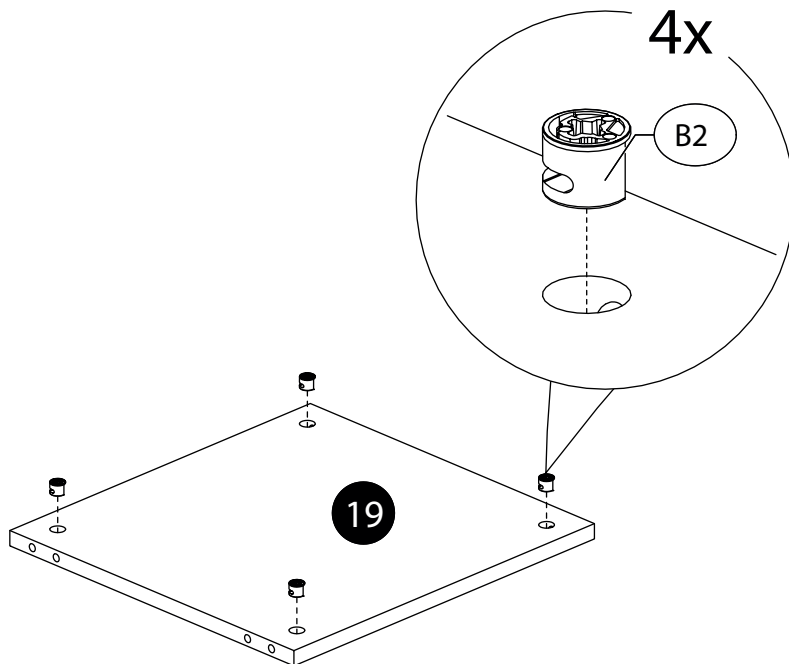




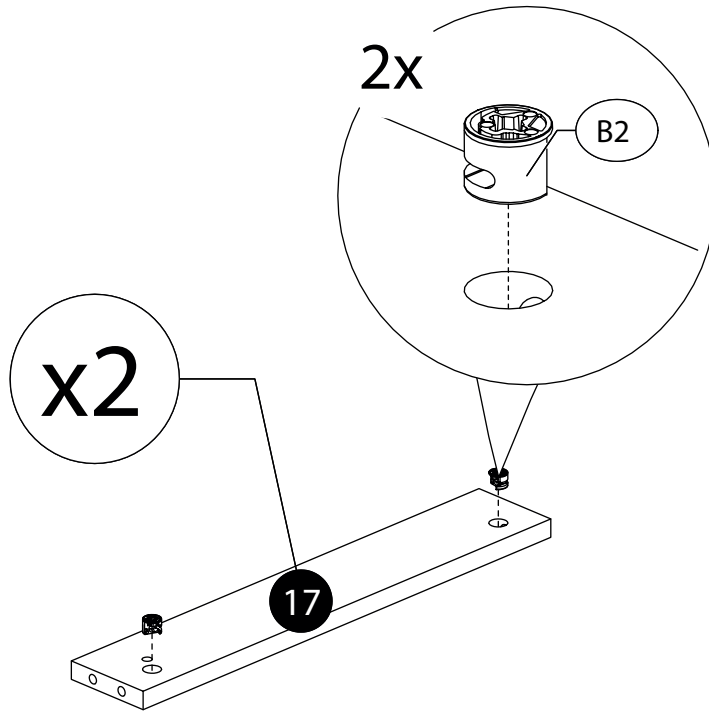
3.



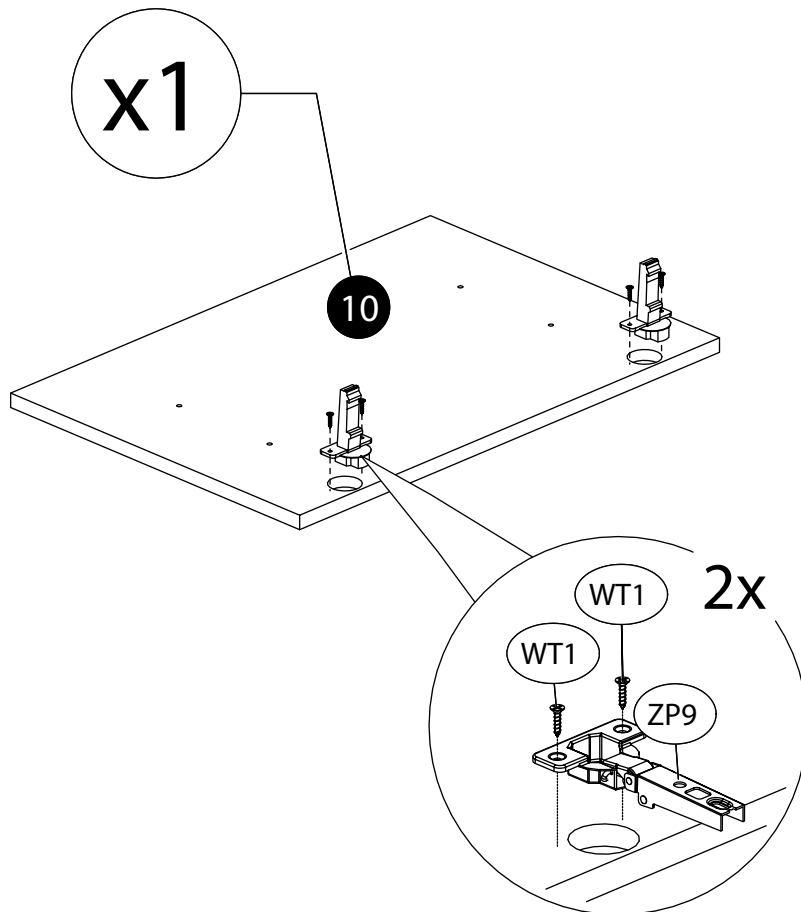
4.



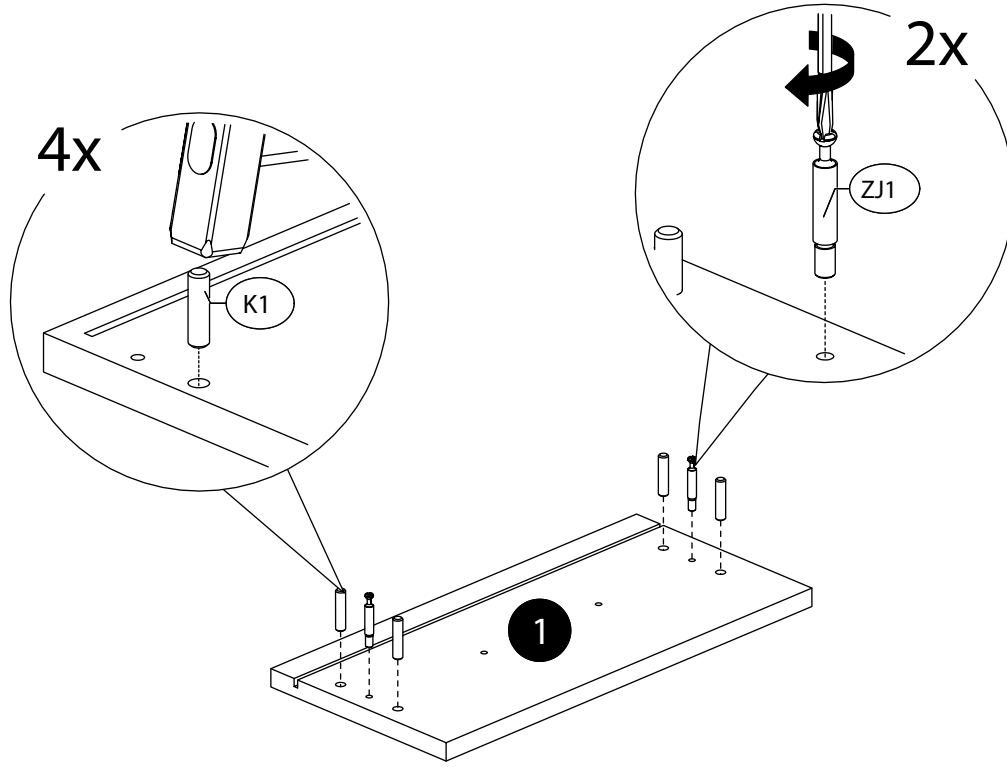
5.



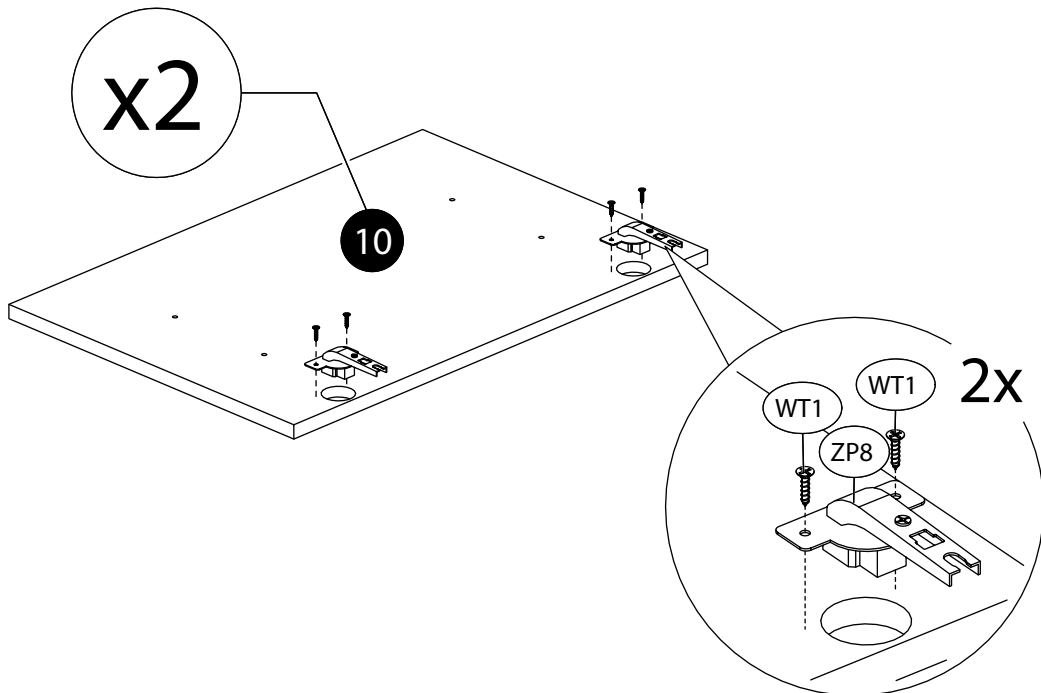
6.



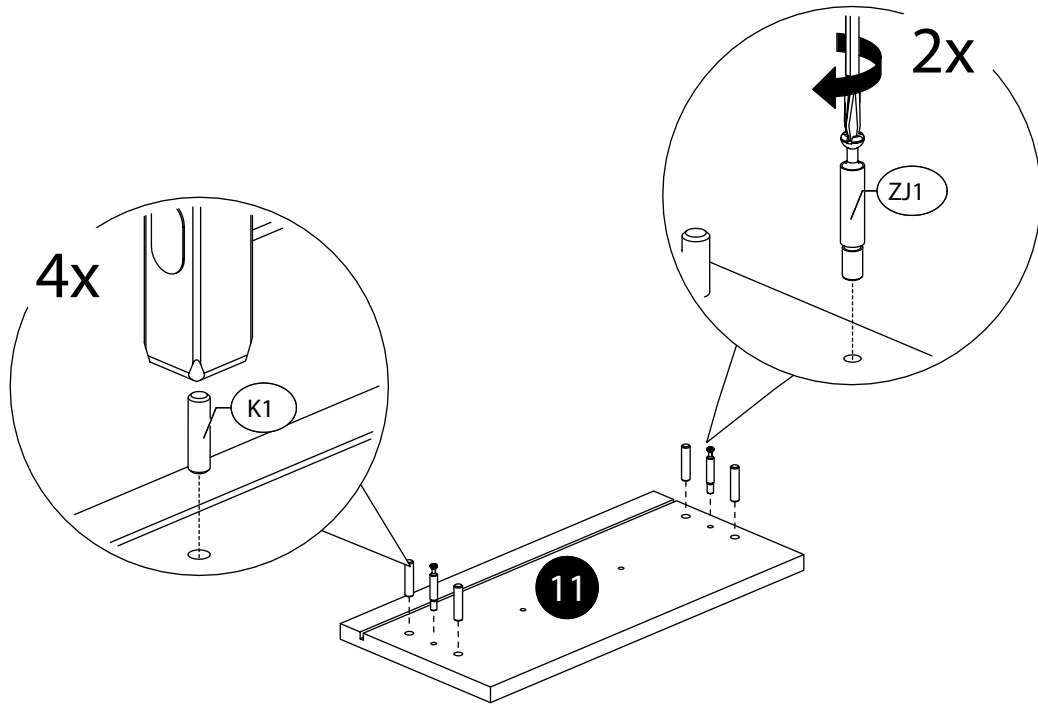
7.



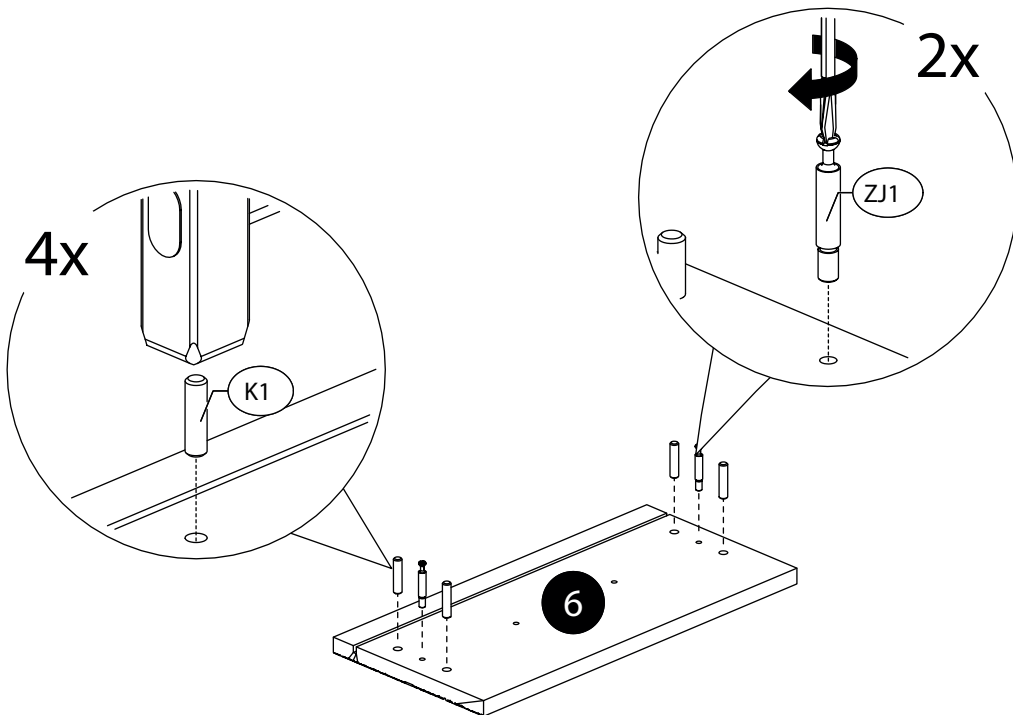
8.



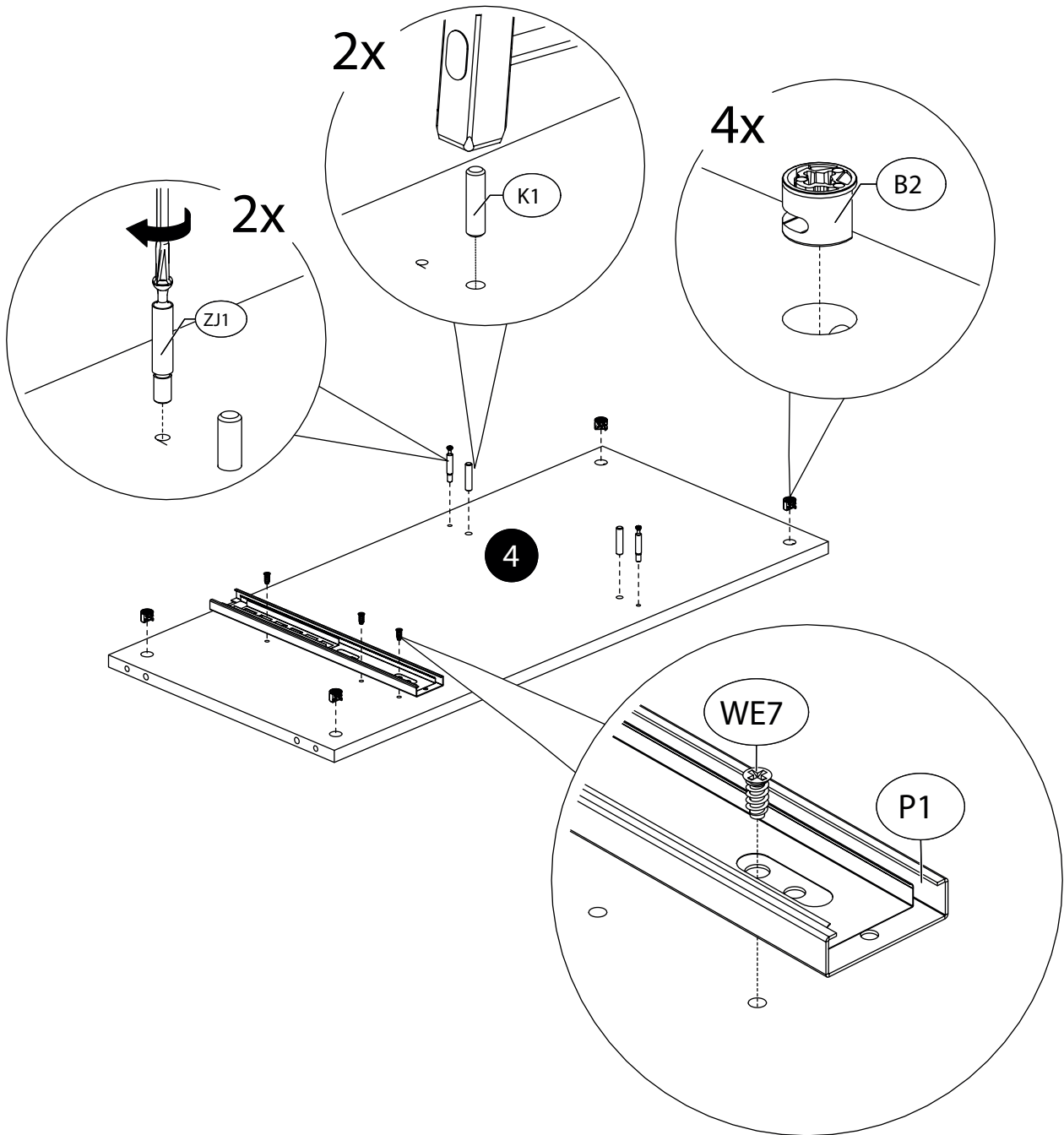
9.



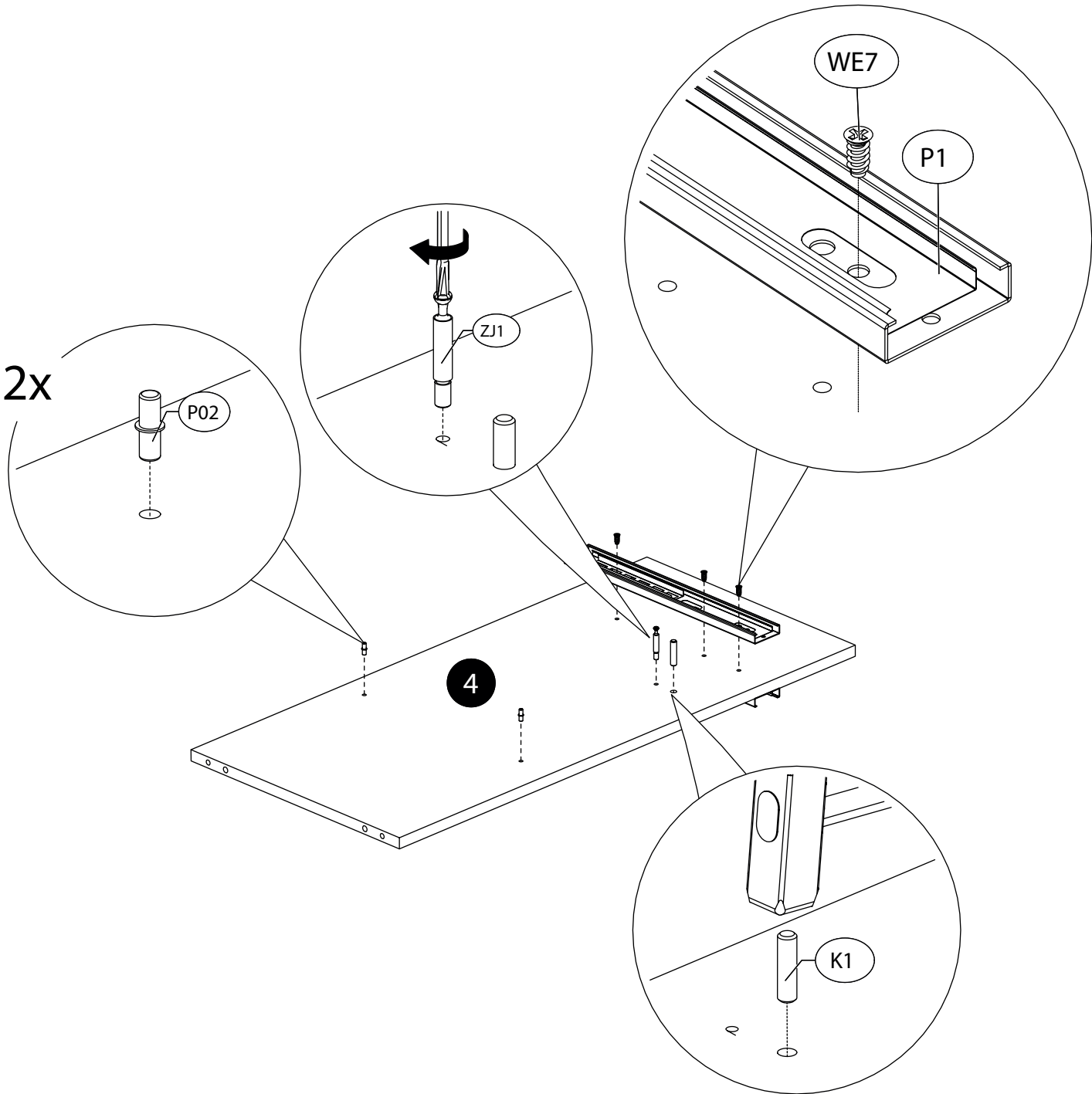
10.



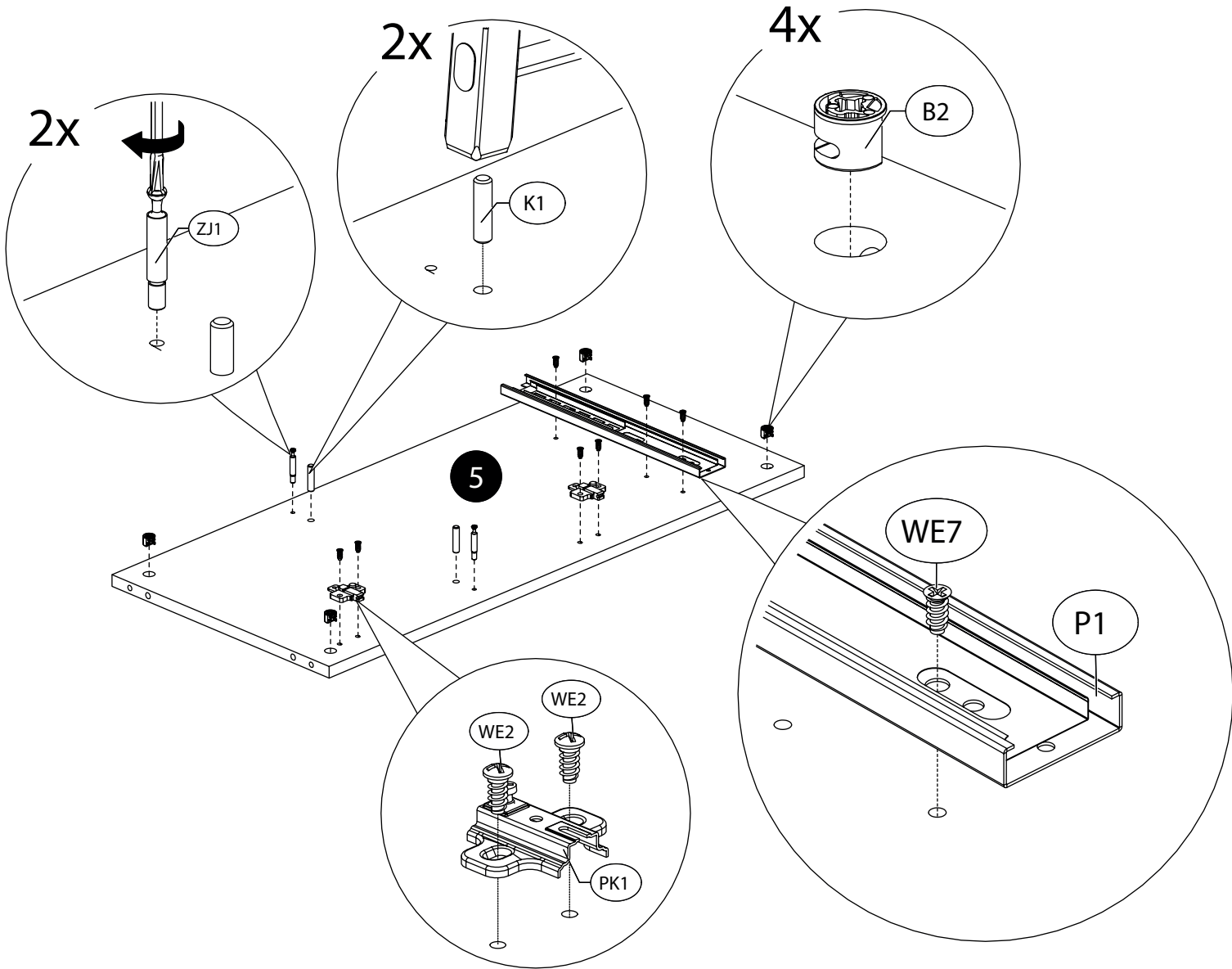
11.



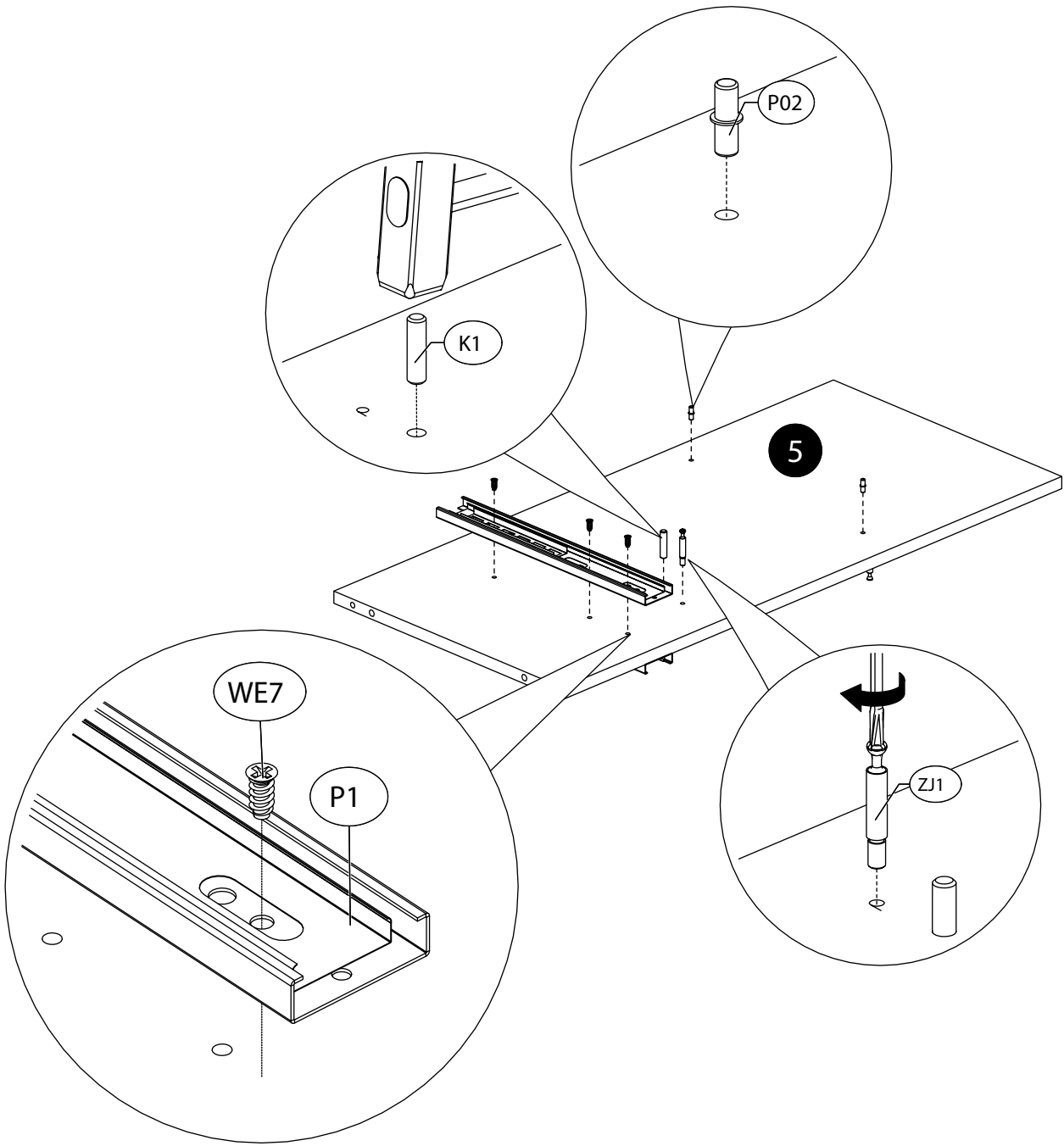
12.



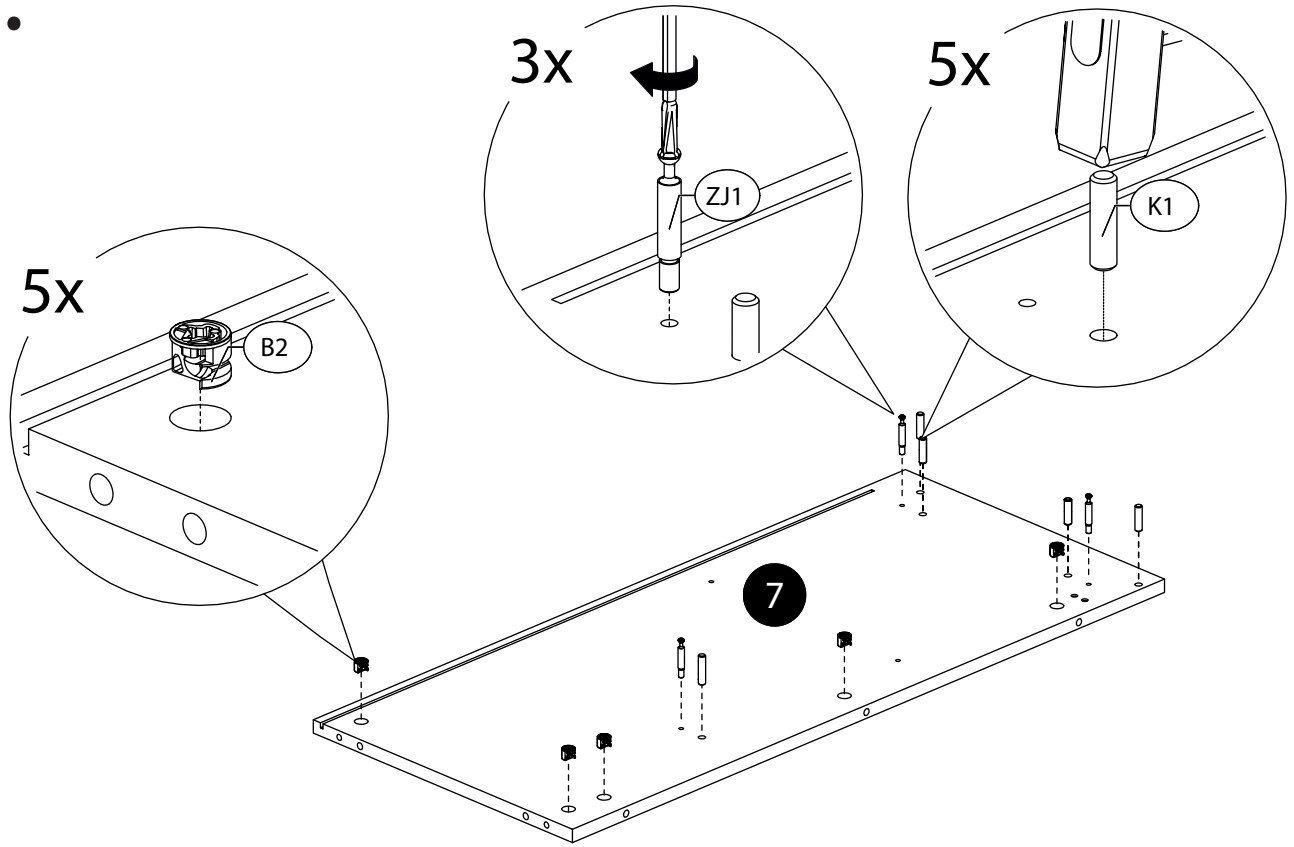
13.



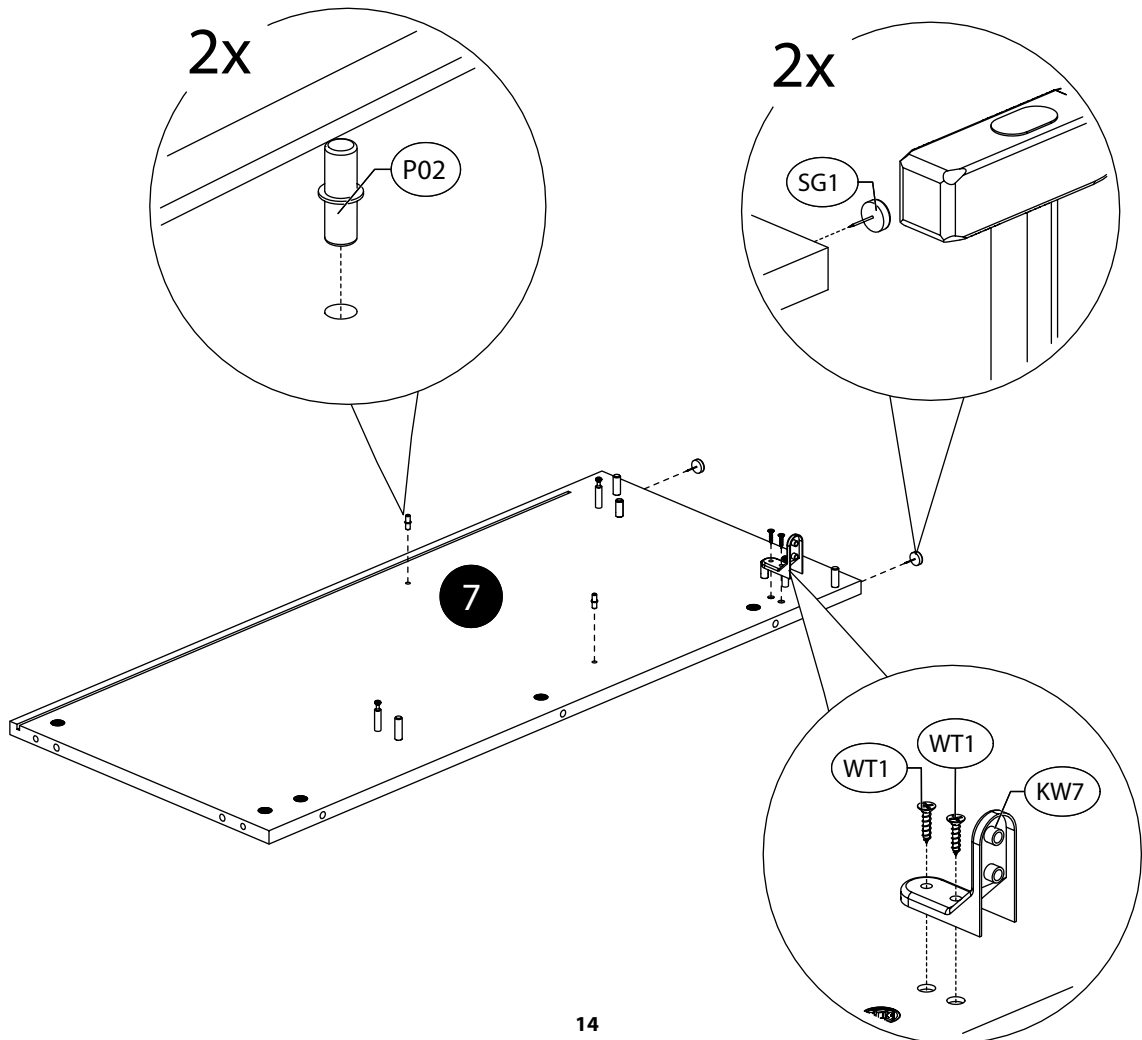
14.



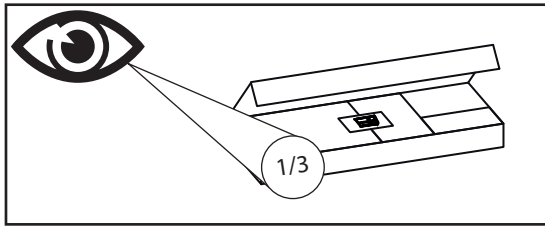
15.



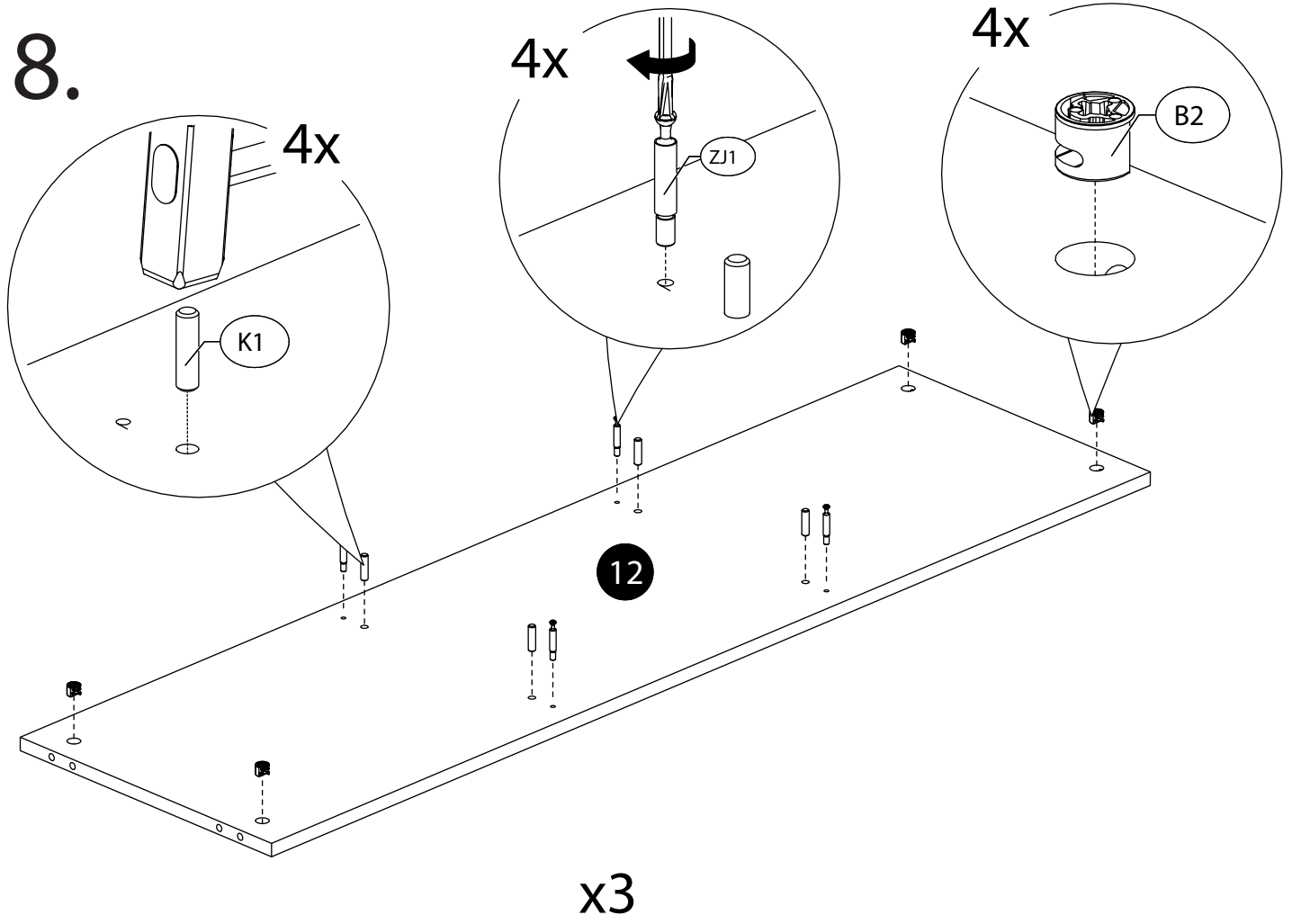
16.



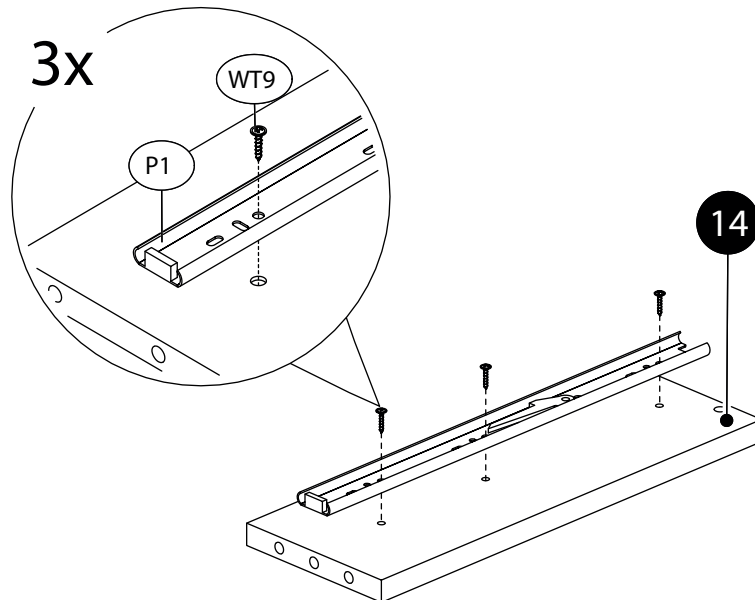
17.



18.

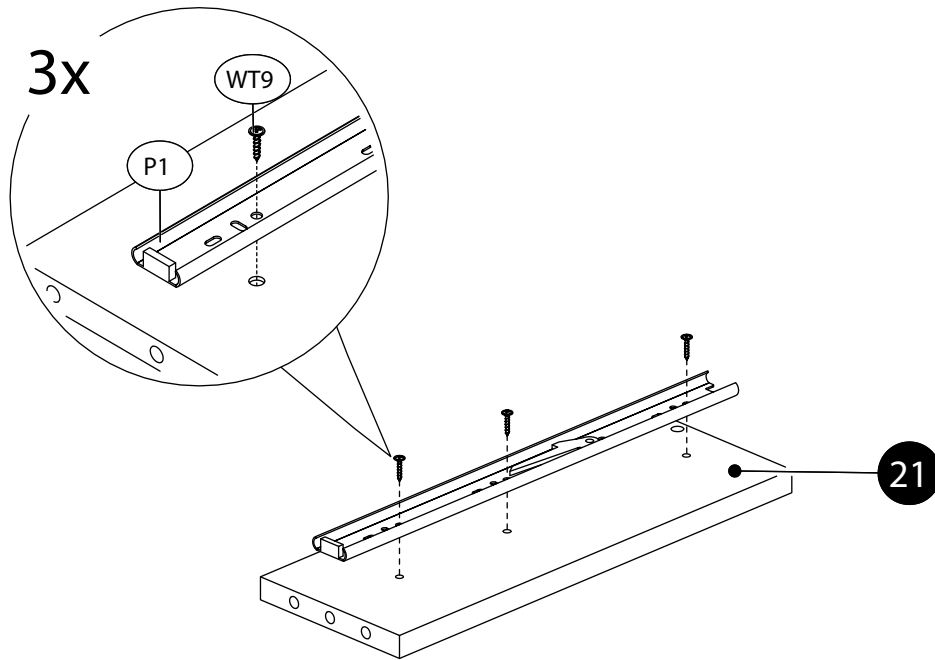


19.

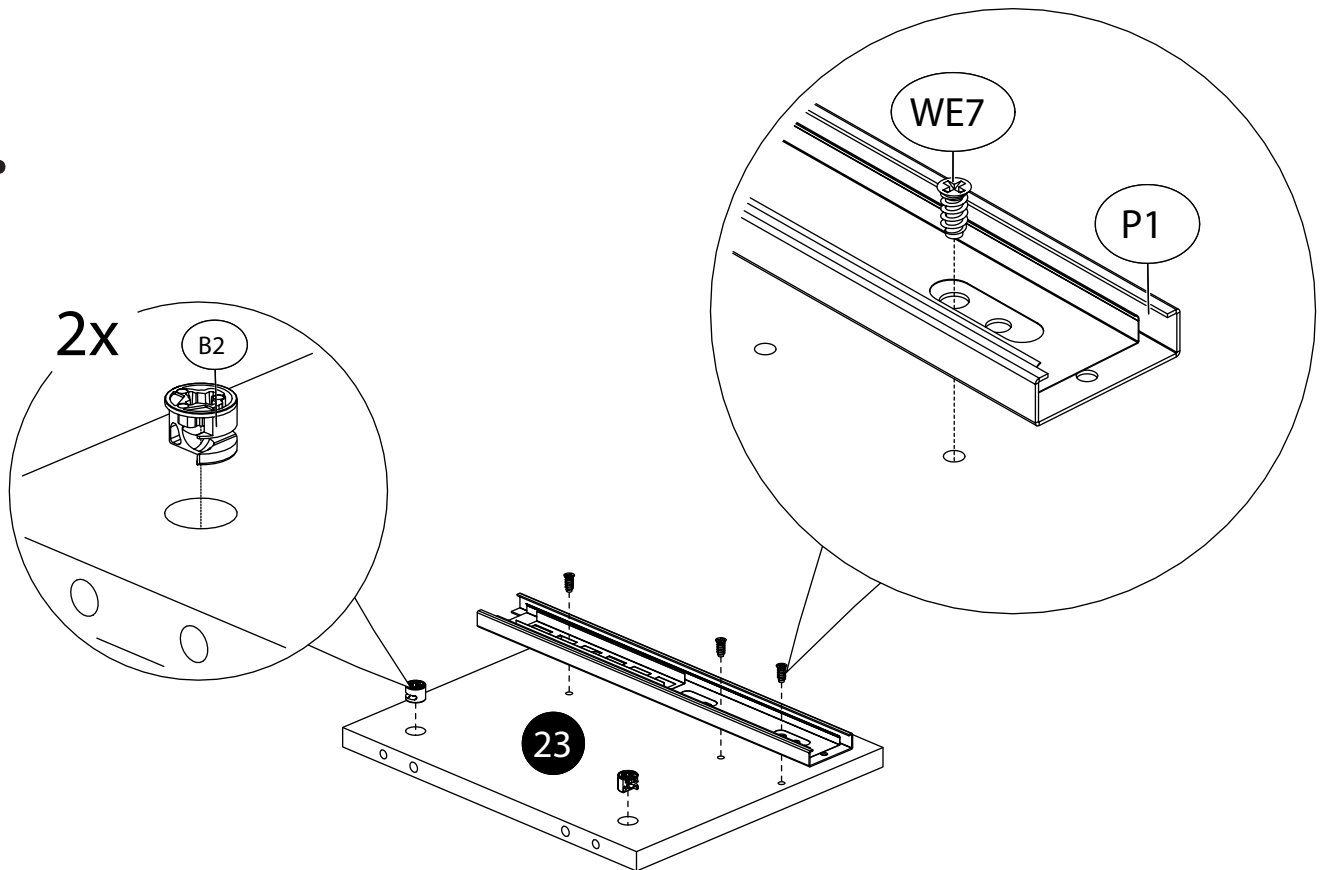


20.

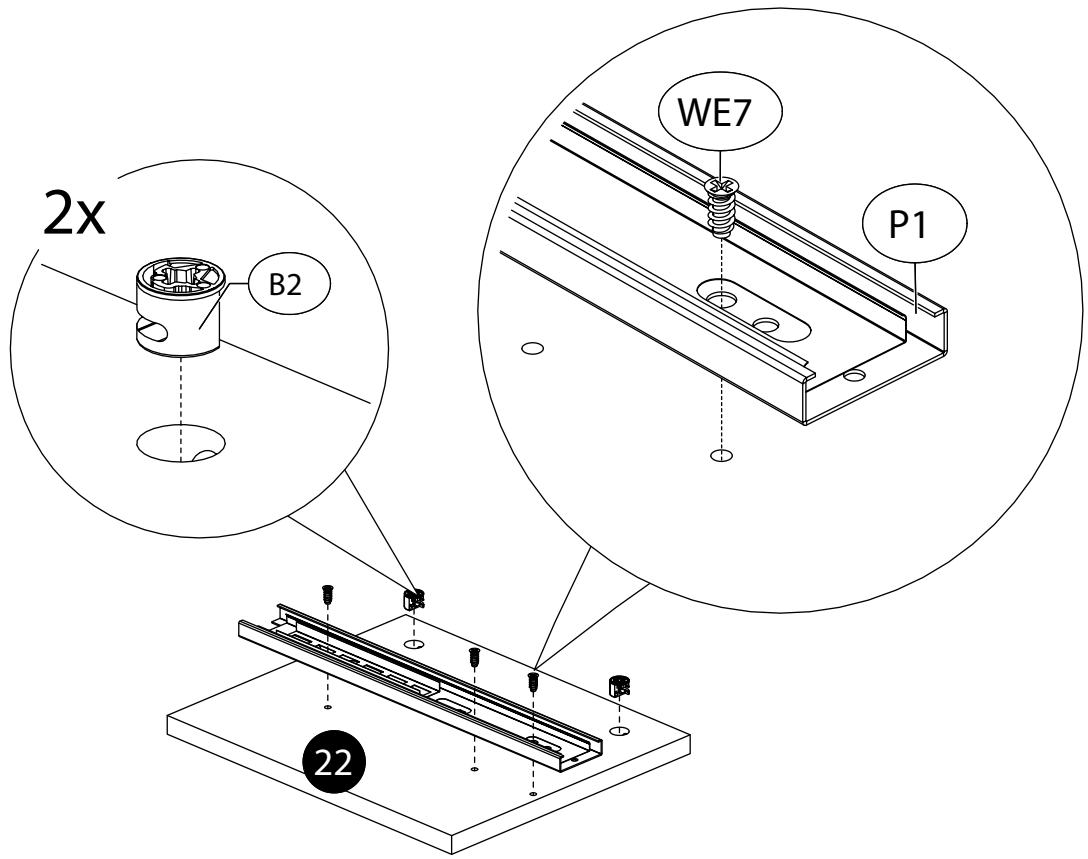
x3



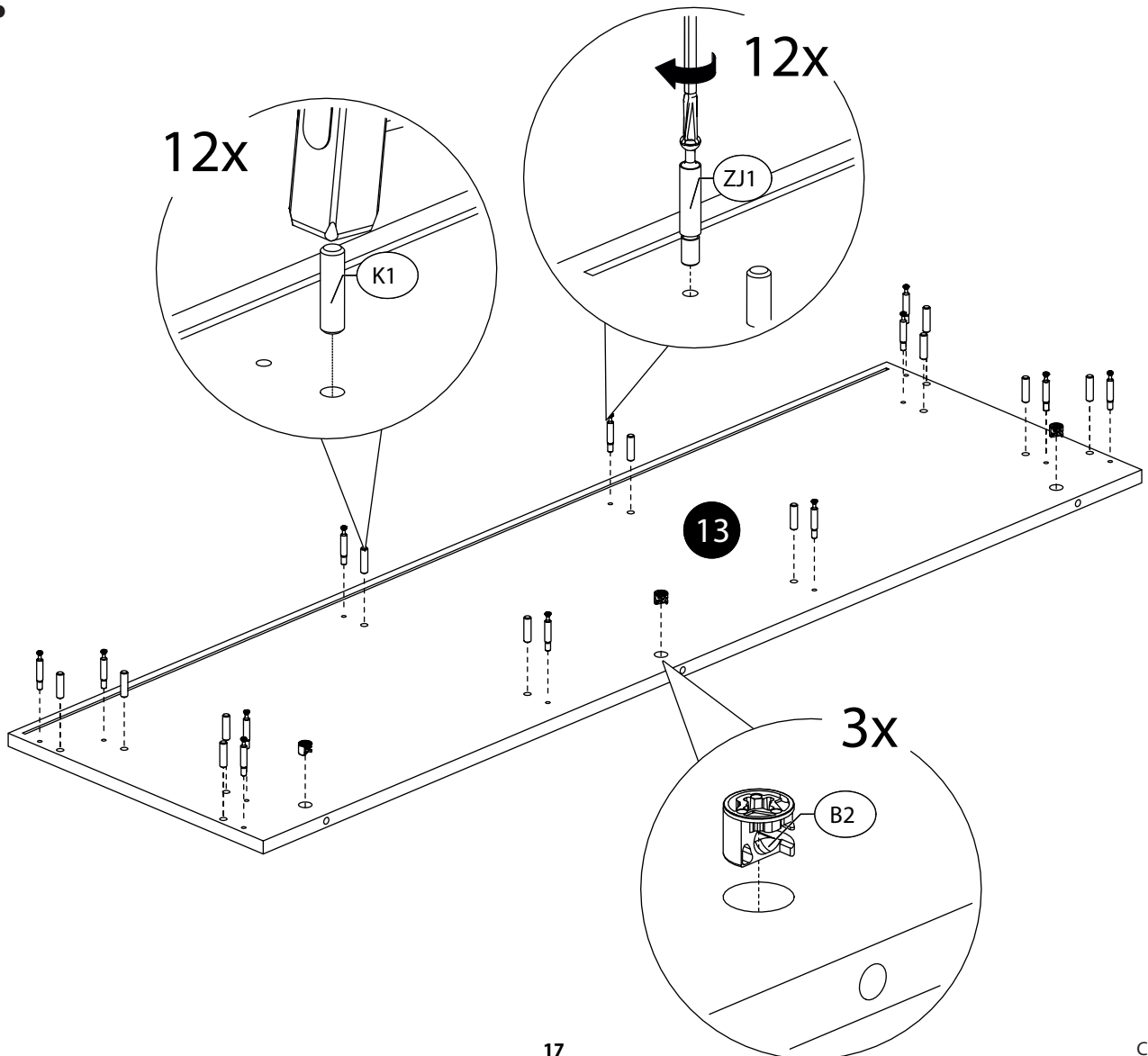
21.



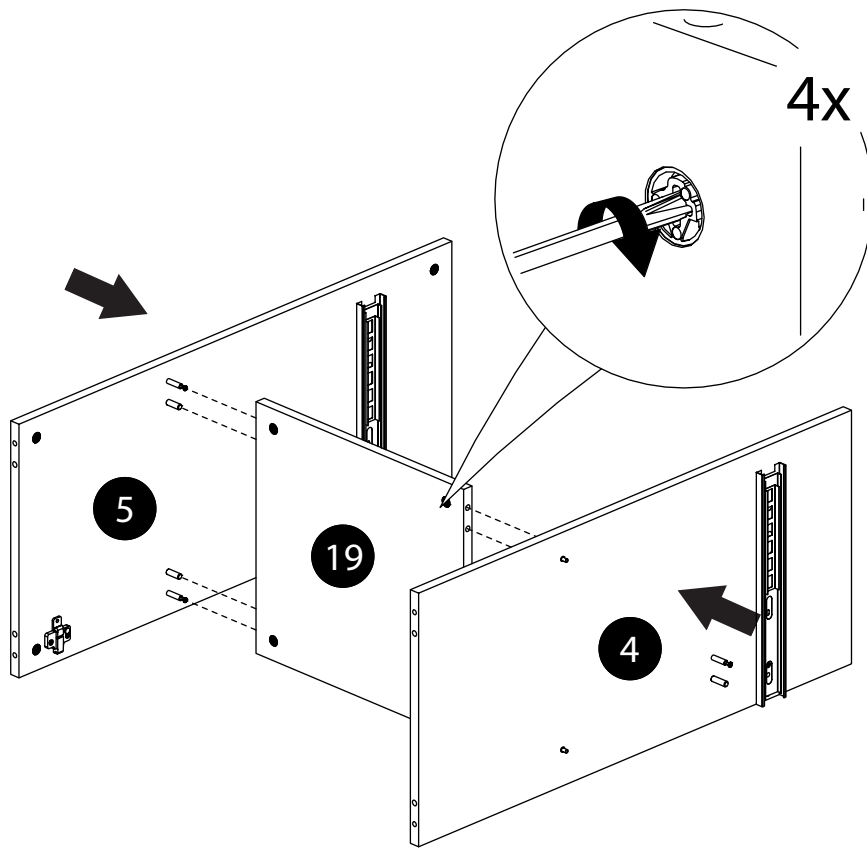
22.



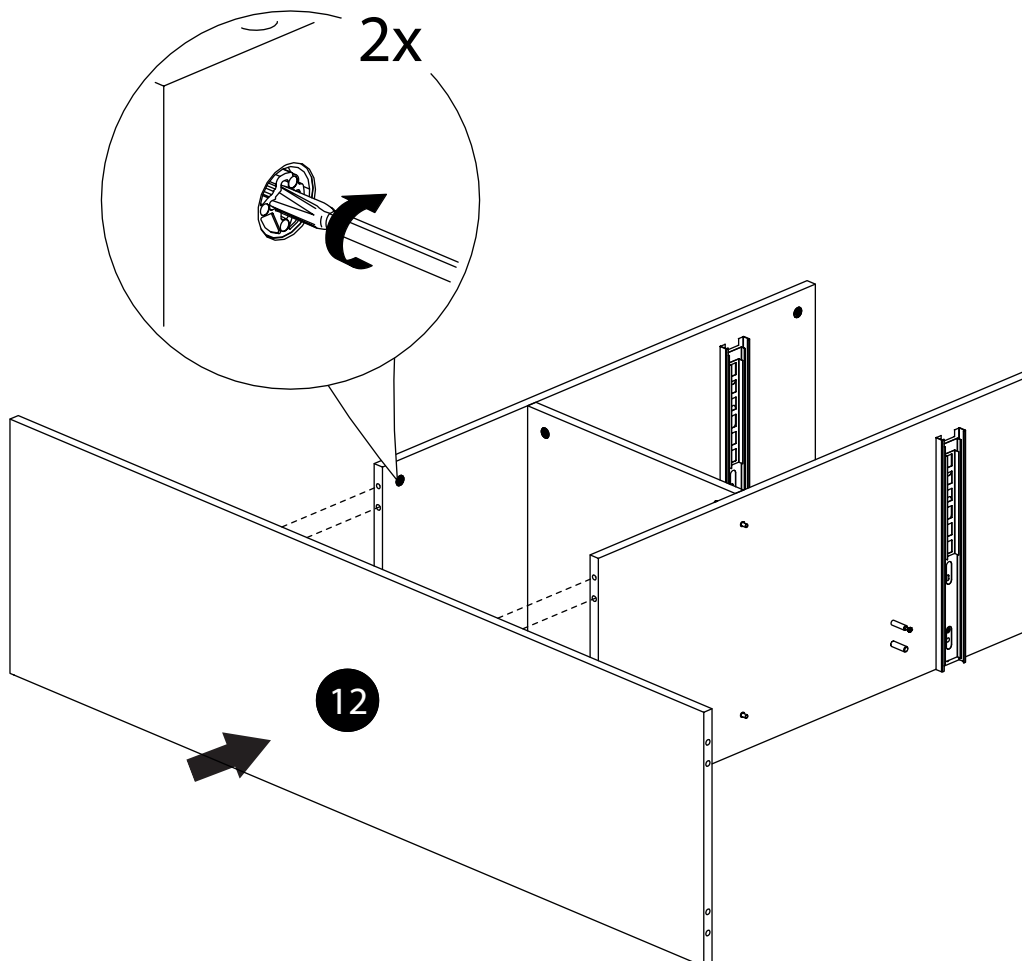
23.



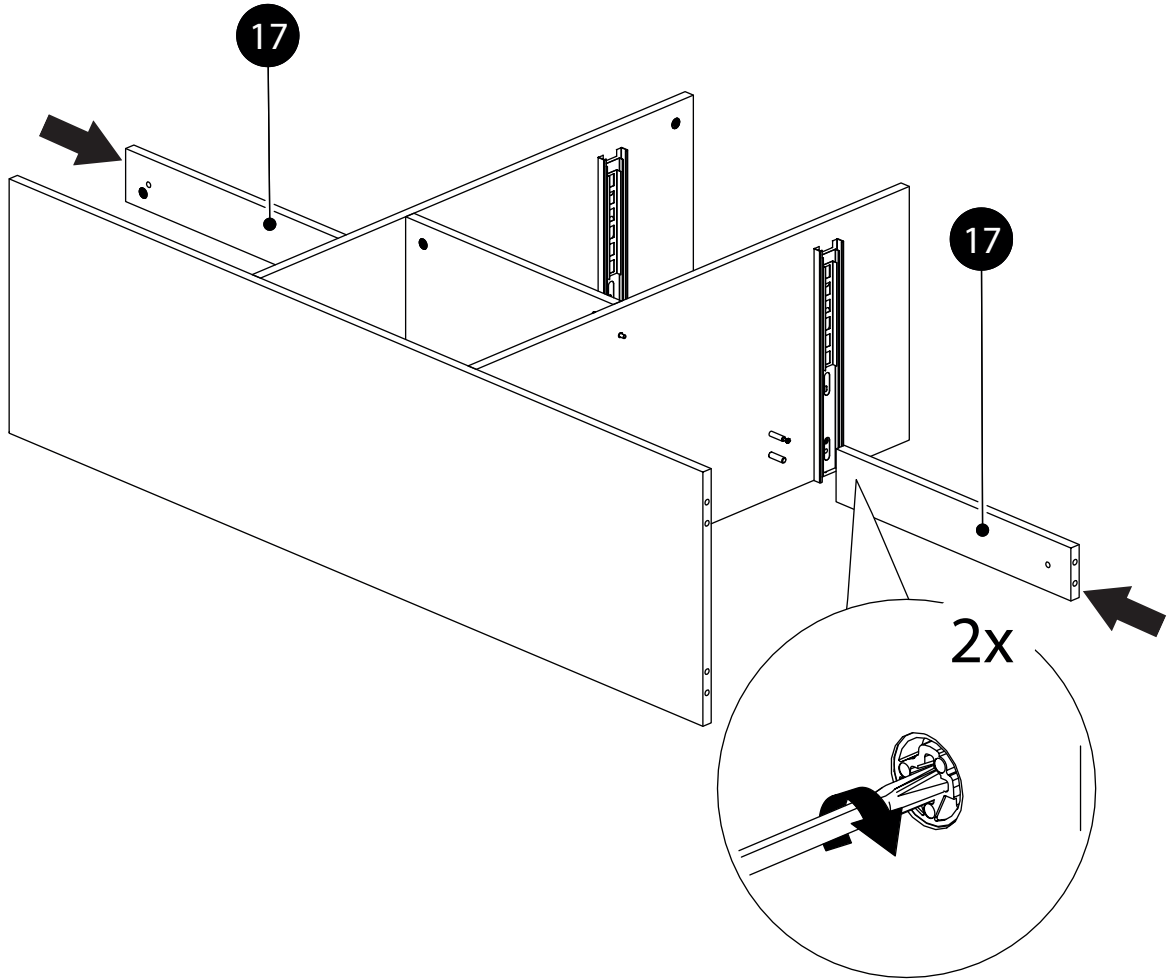
24.



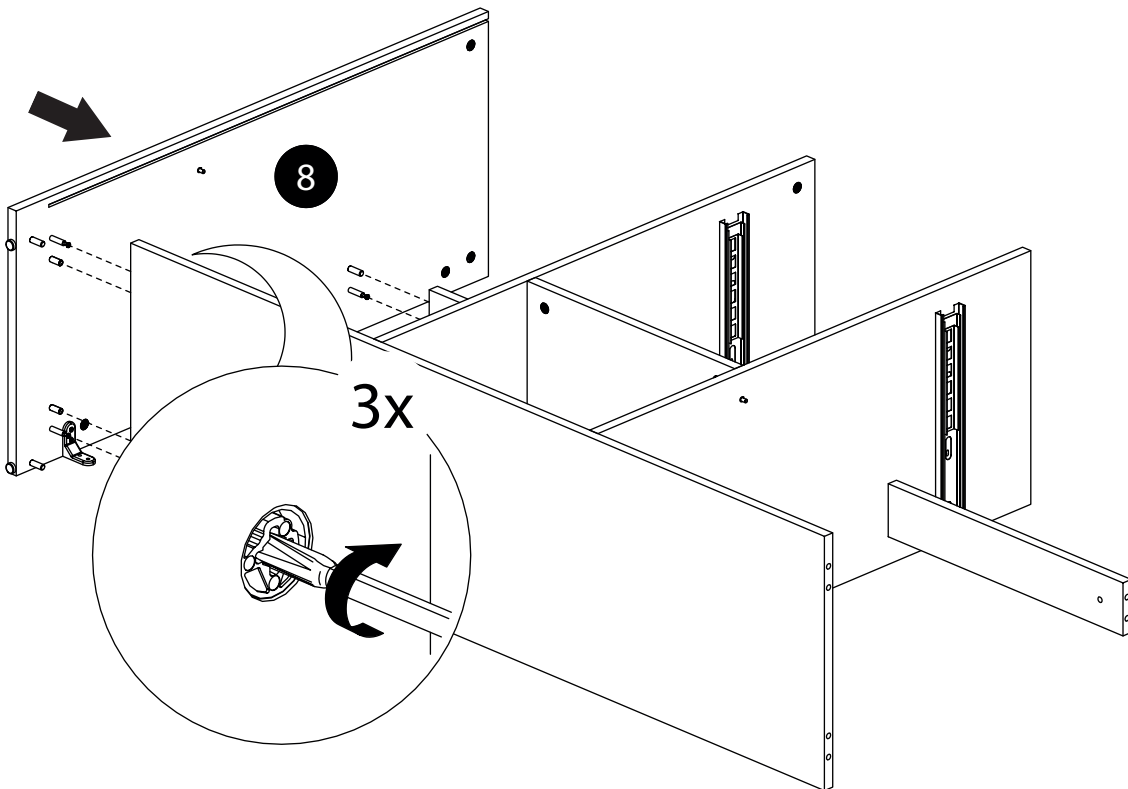
25.



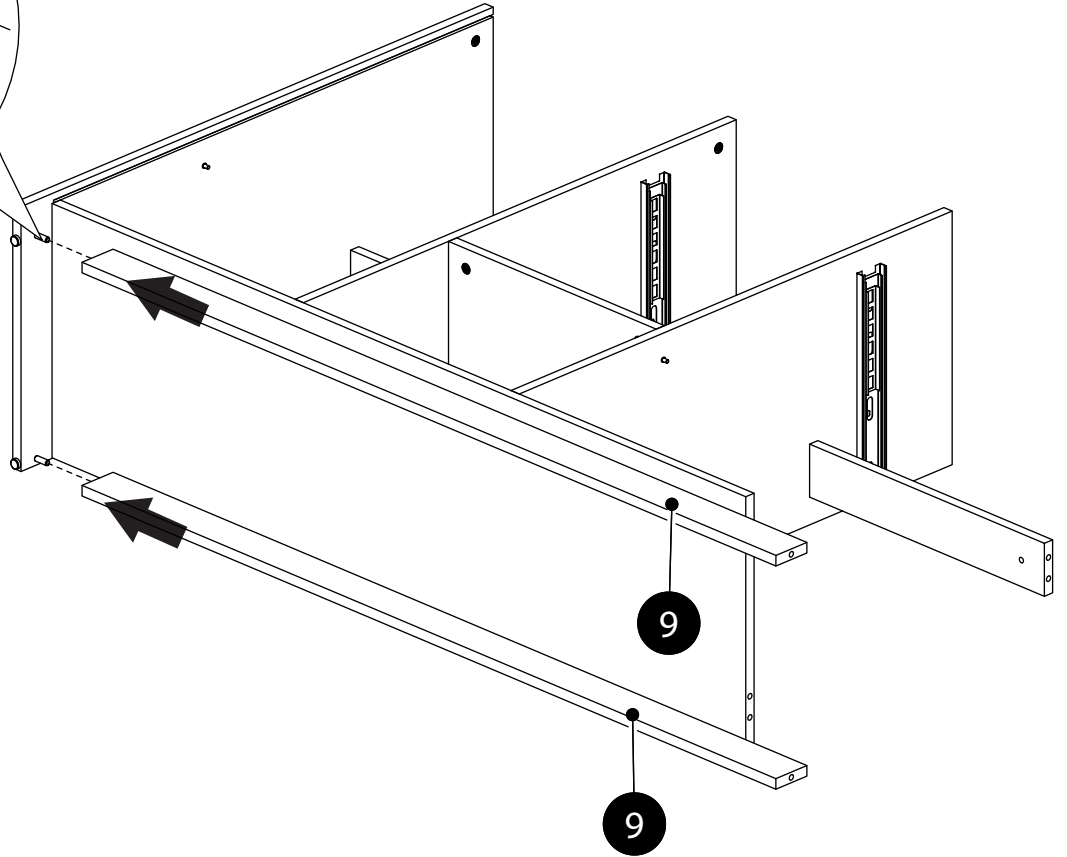
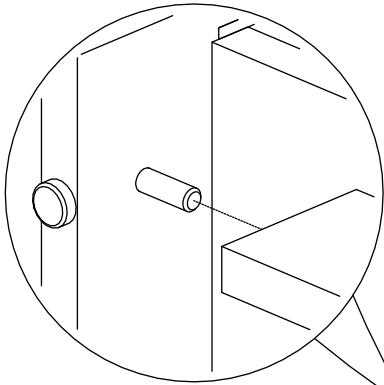
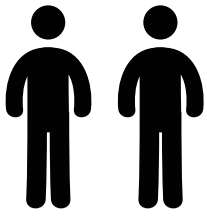
26.



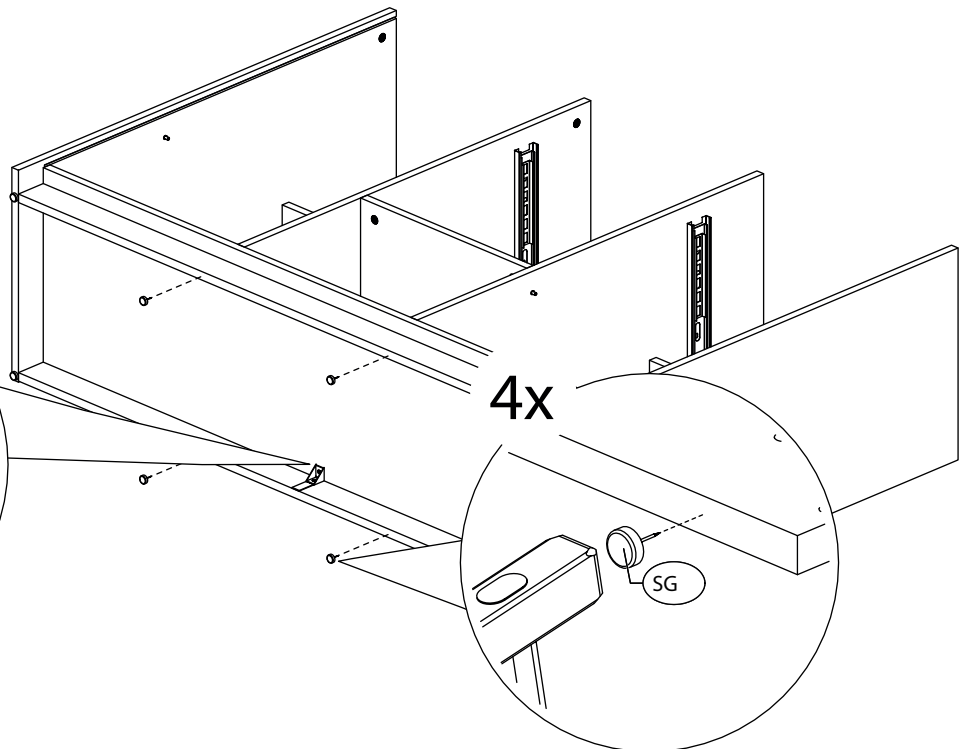
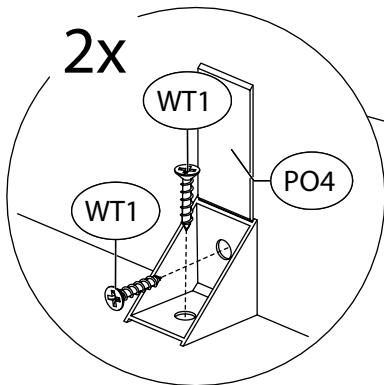
27.



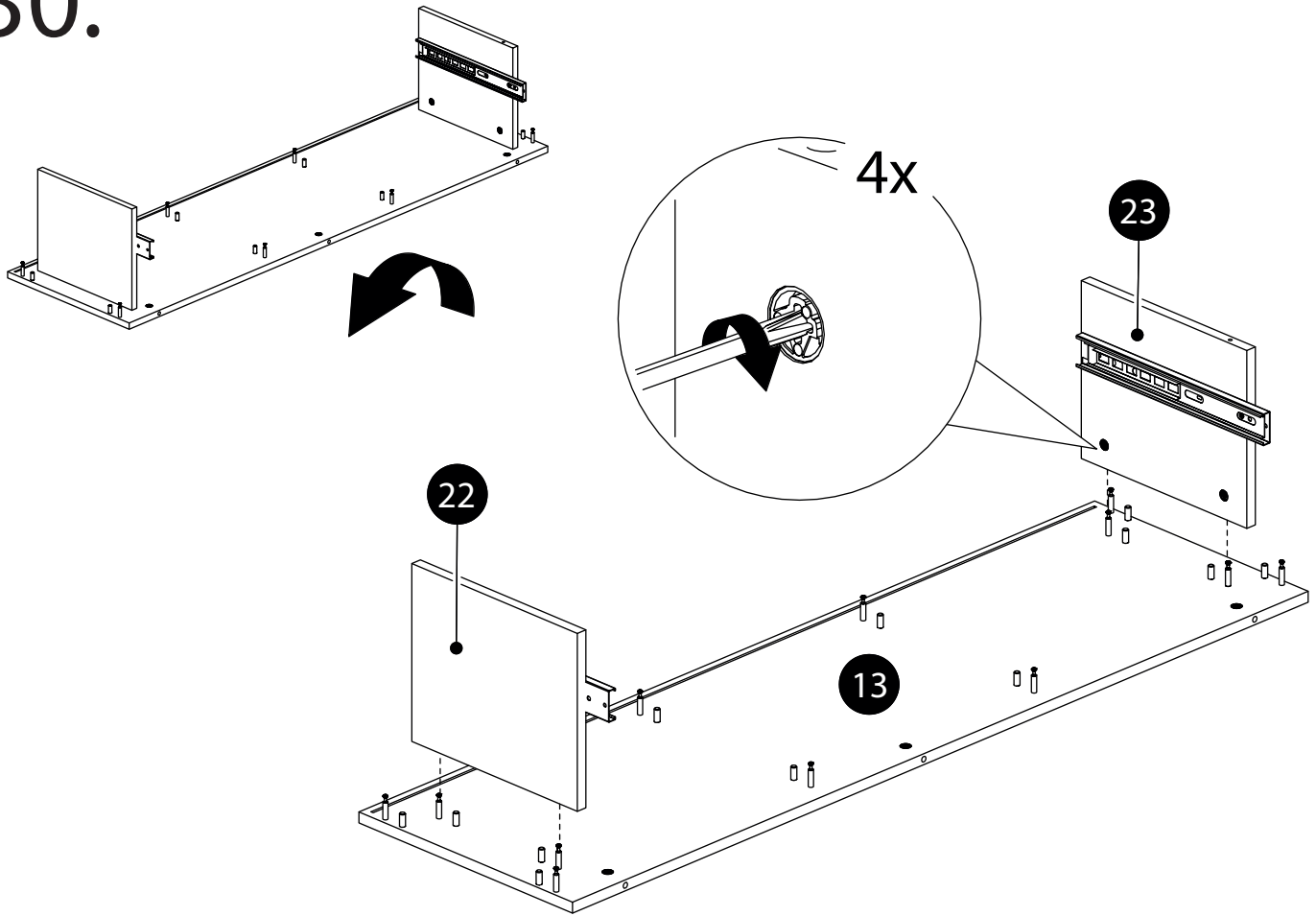
28.



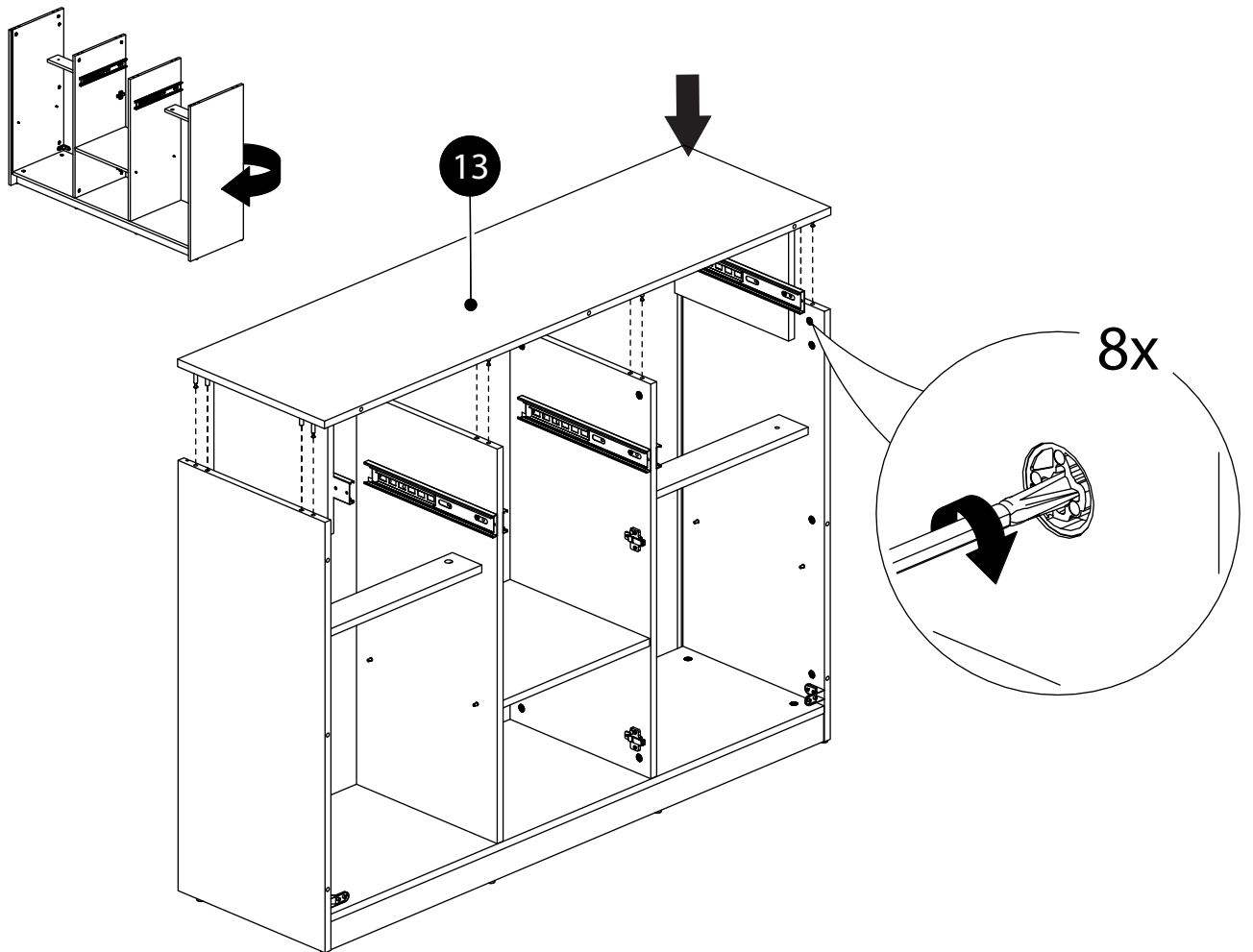
29.



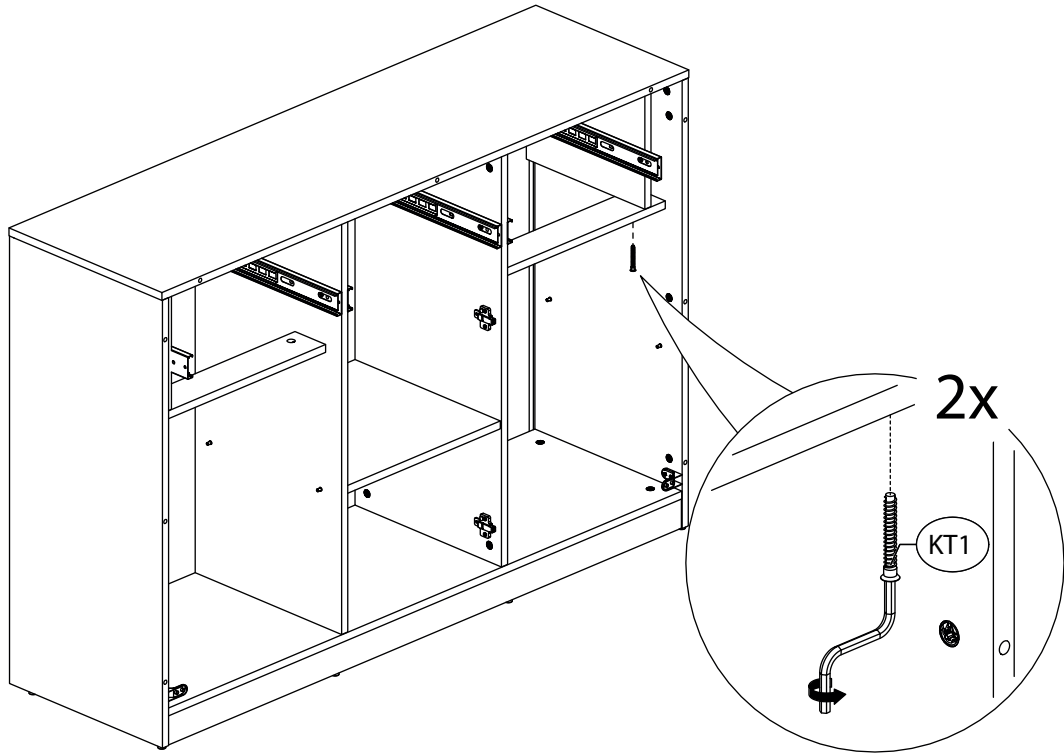
30.



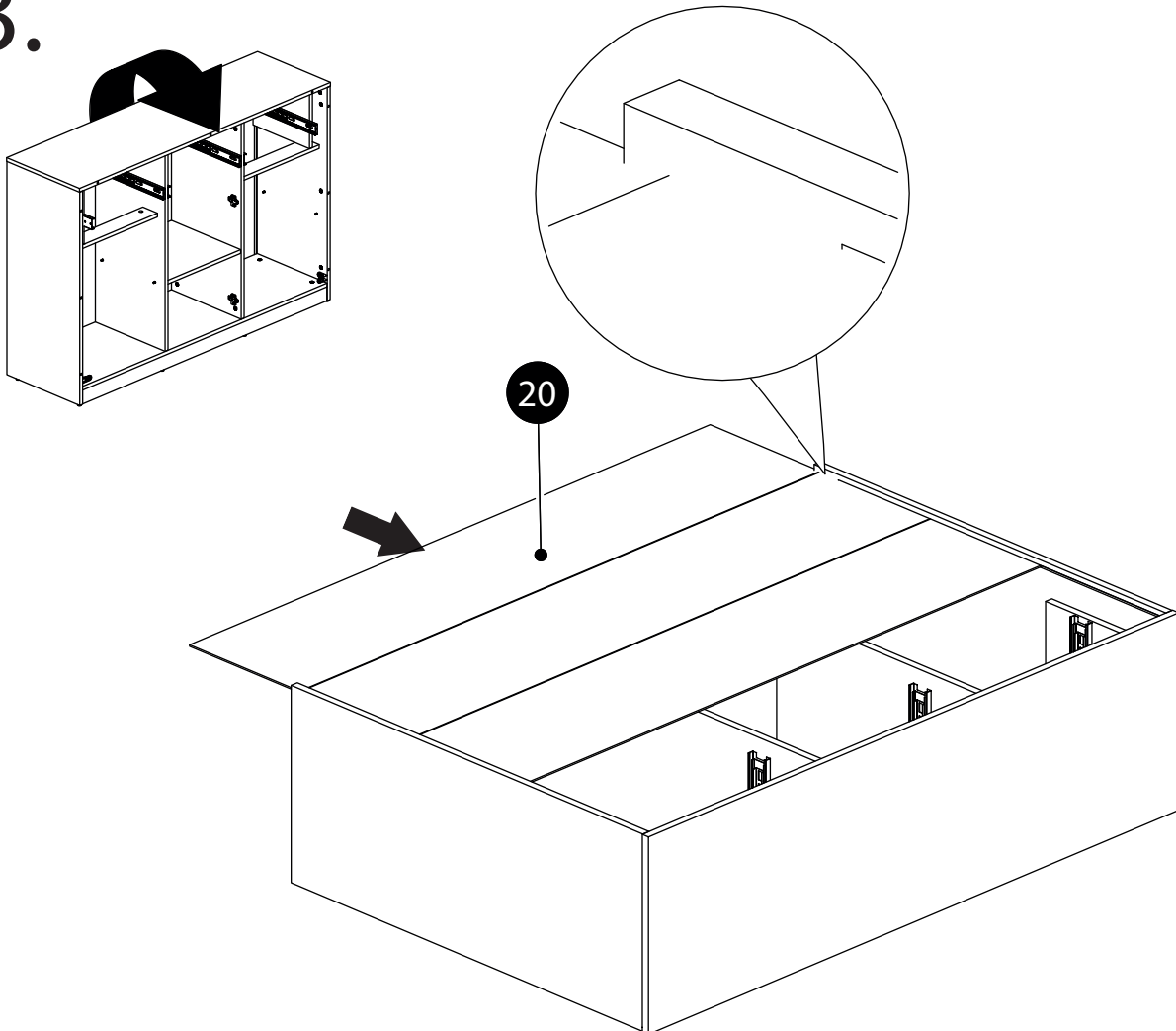
31.



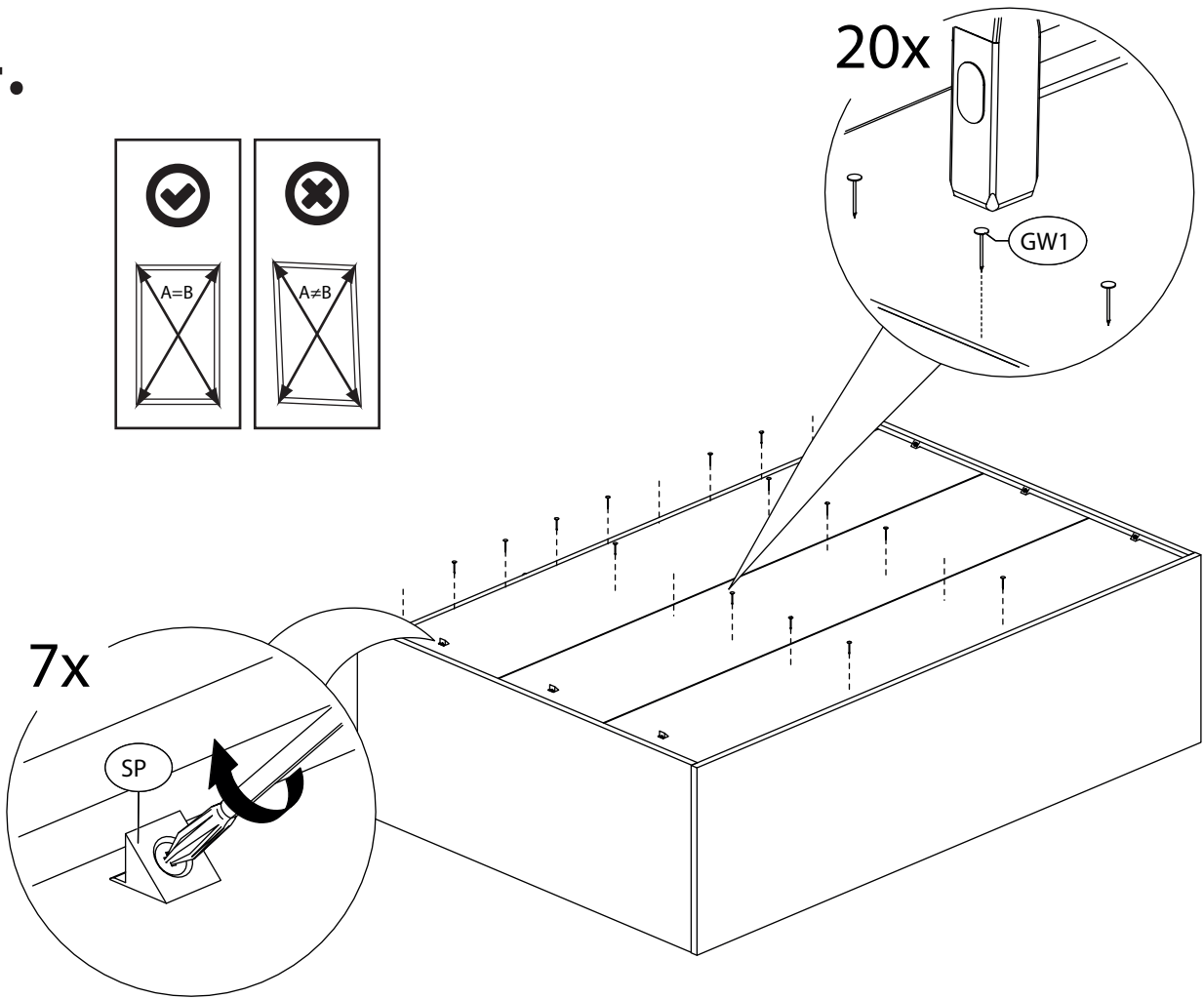
32.



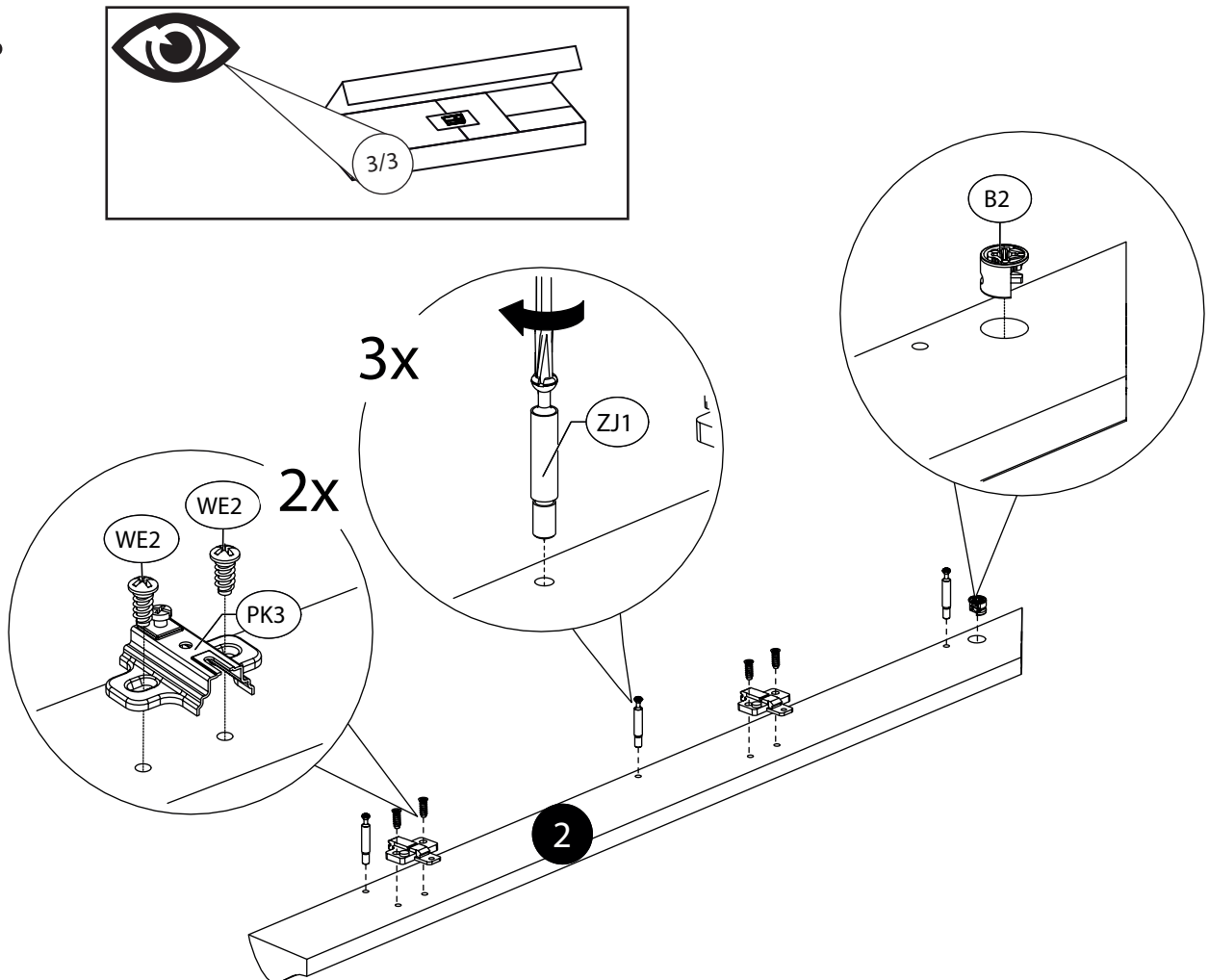
33.



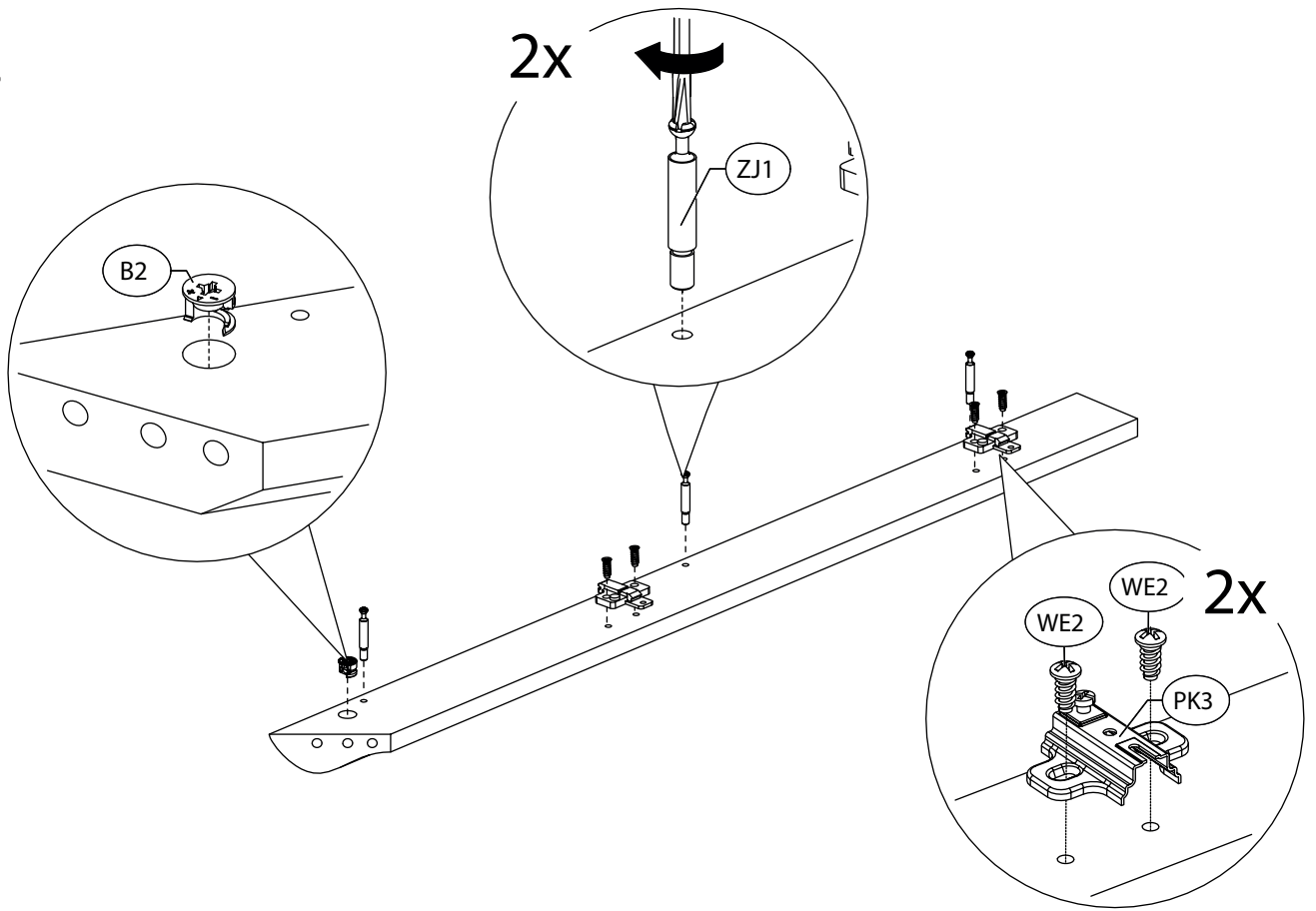
34.



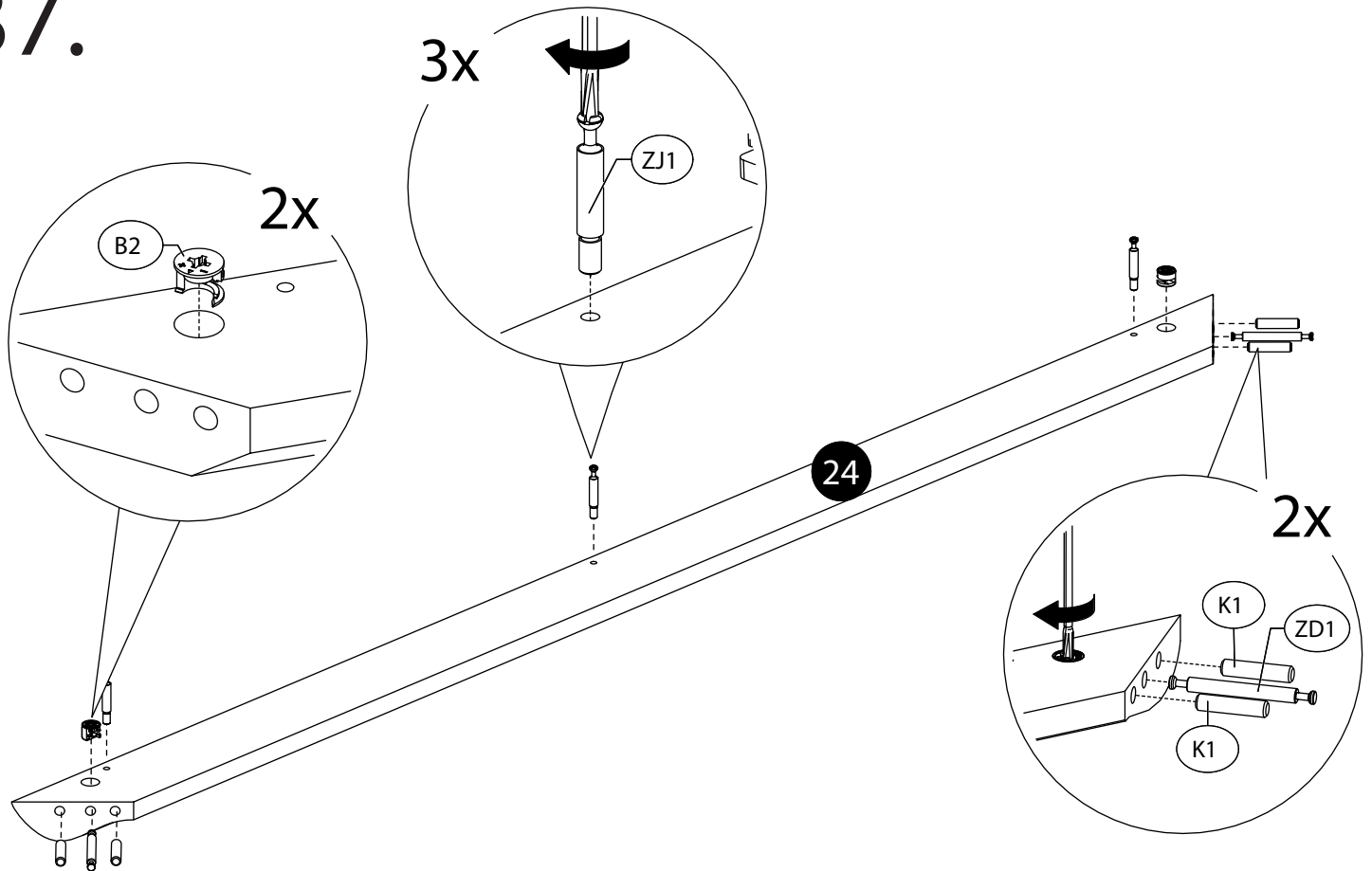
35.



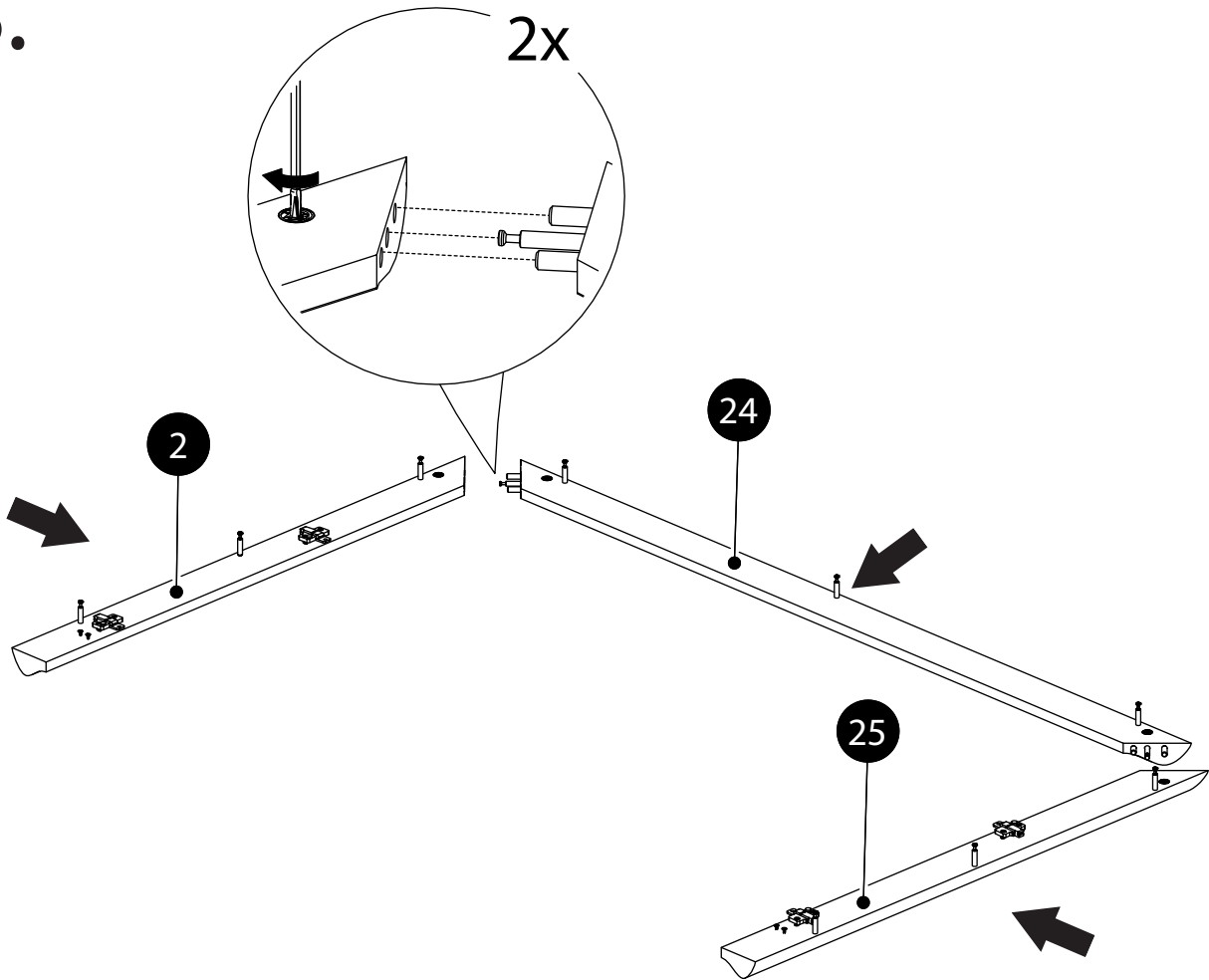
36.



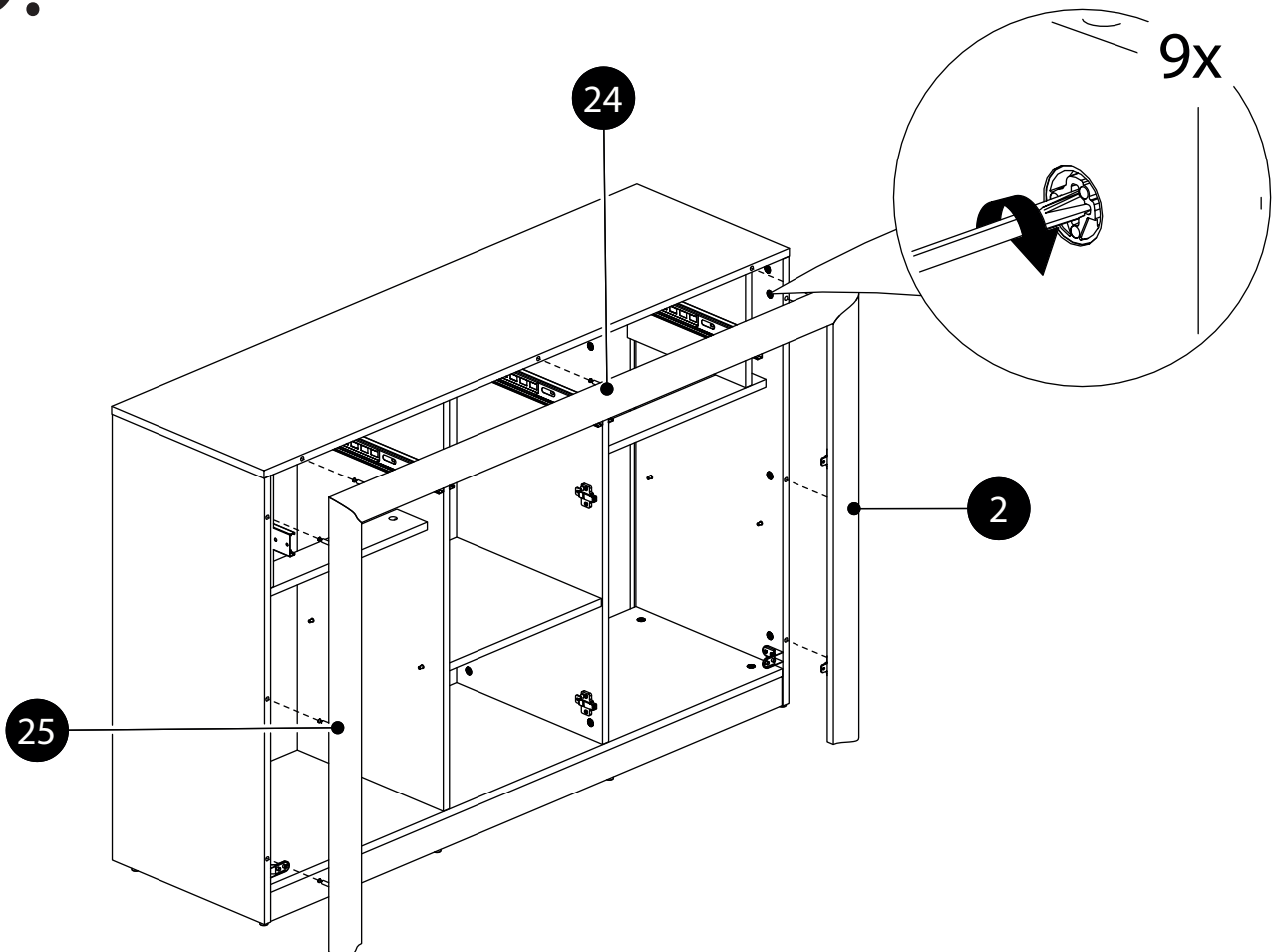
37.



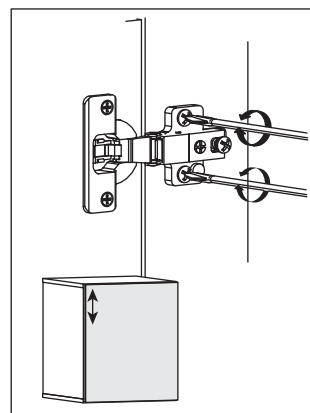
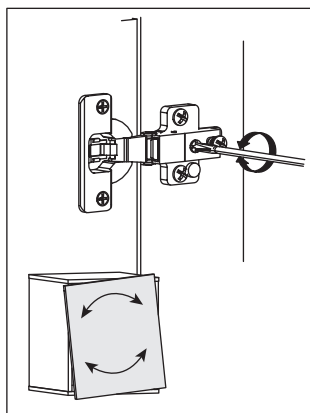
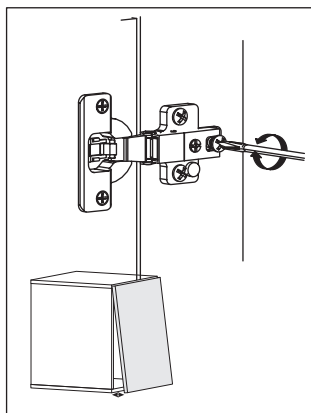
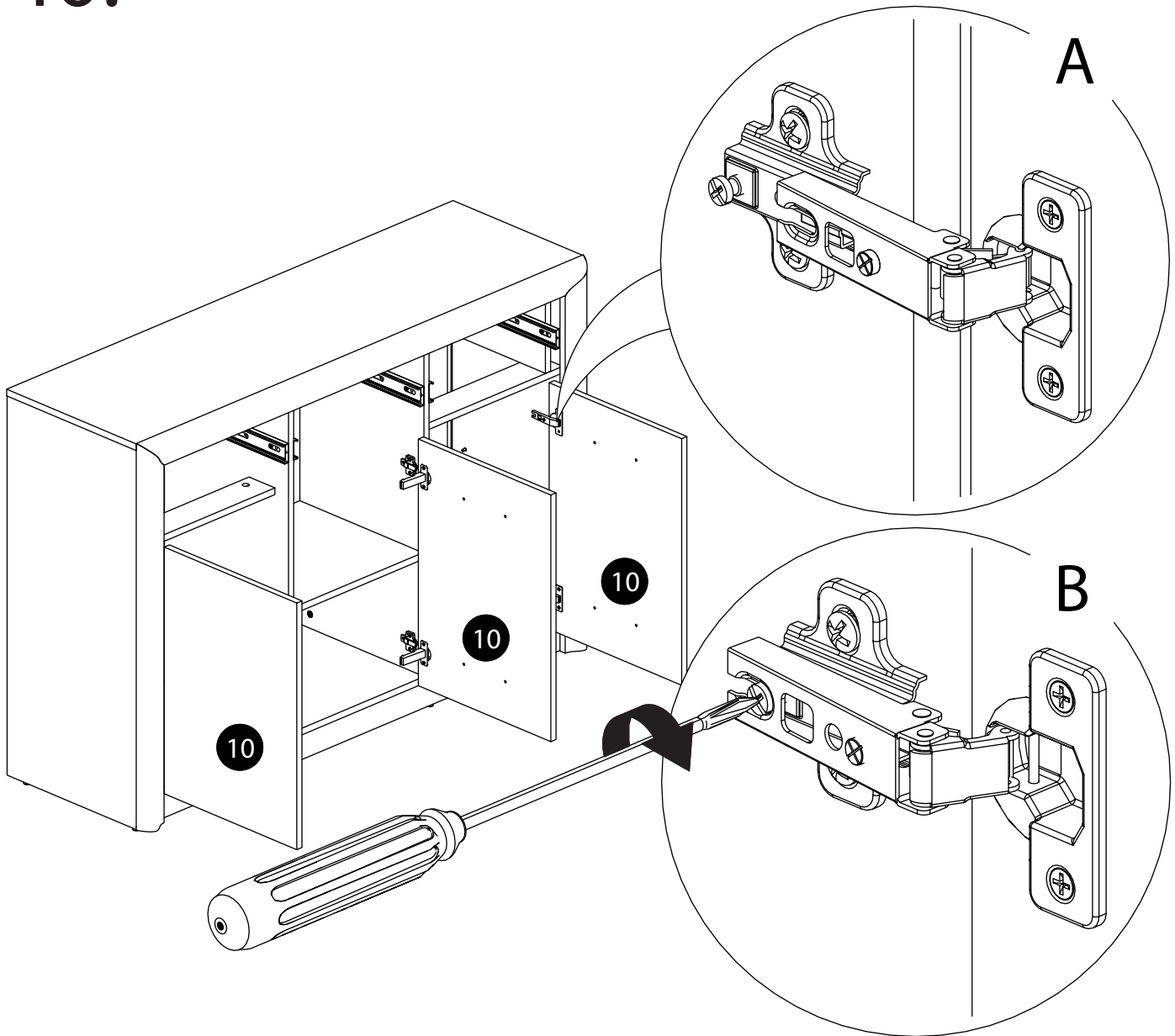
38.



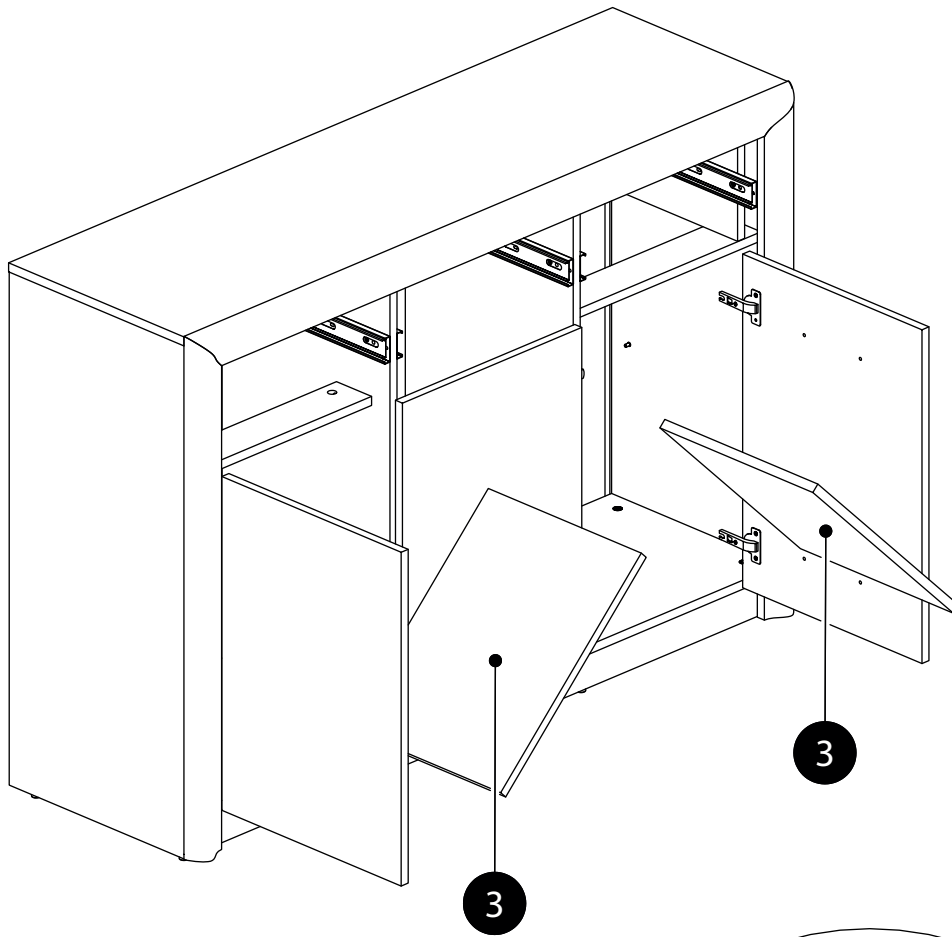
39.



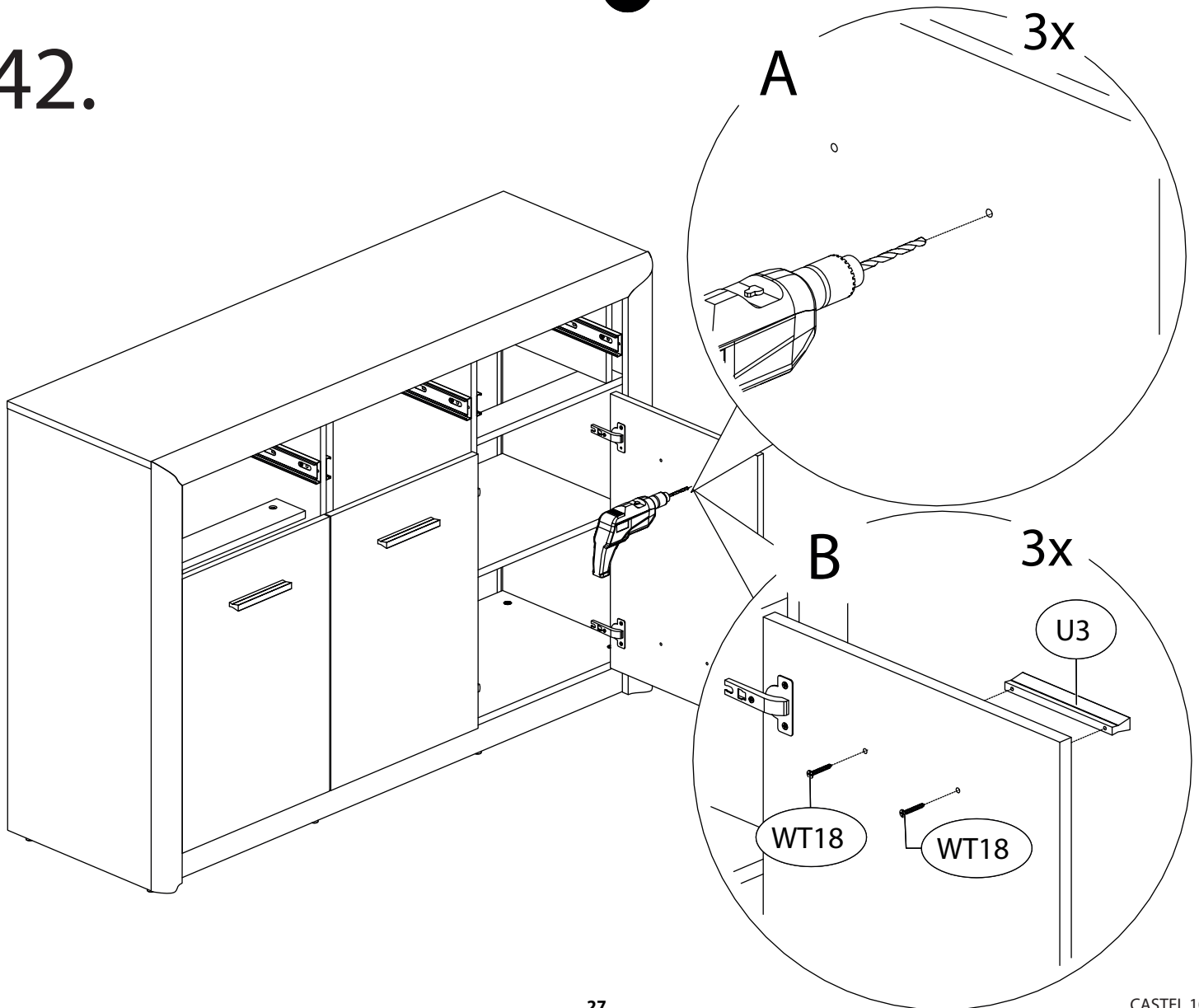
40.



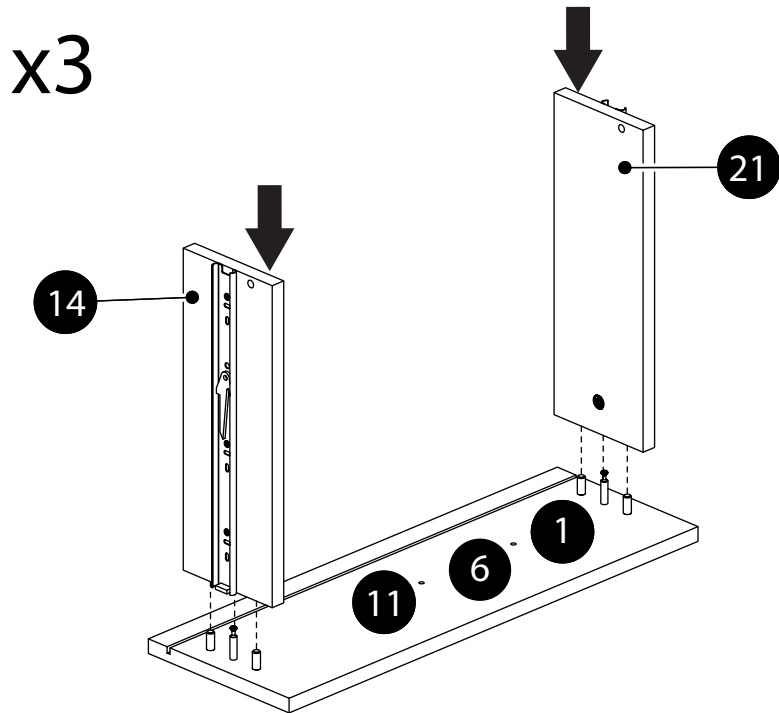
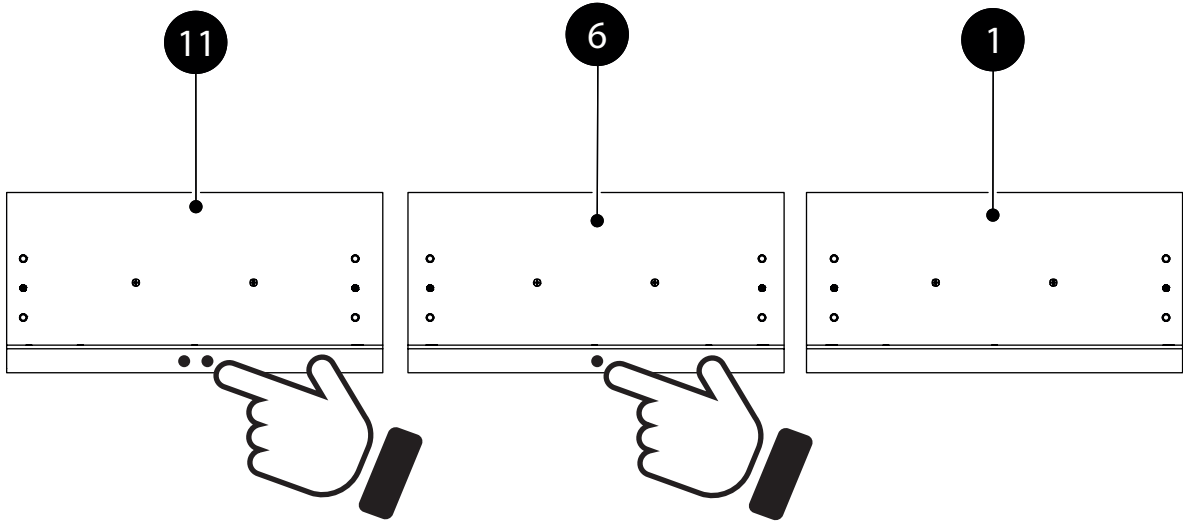
41.



42.

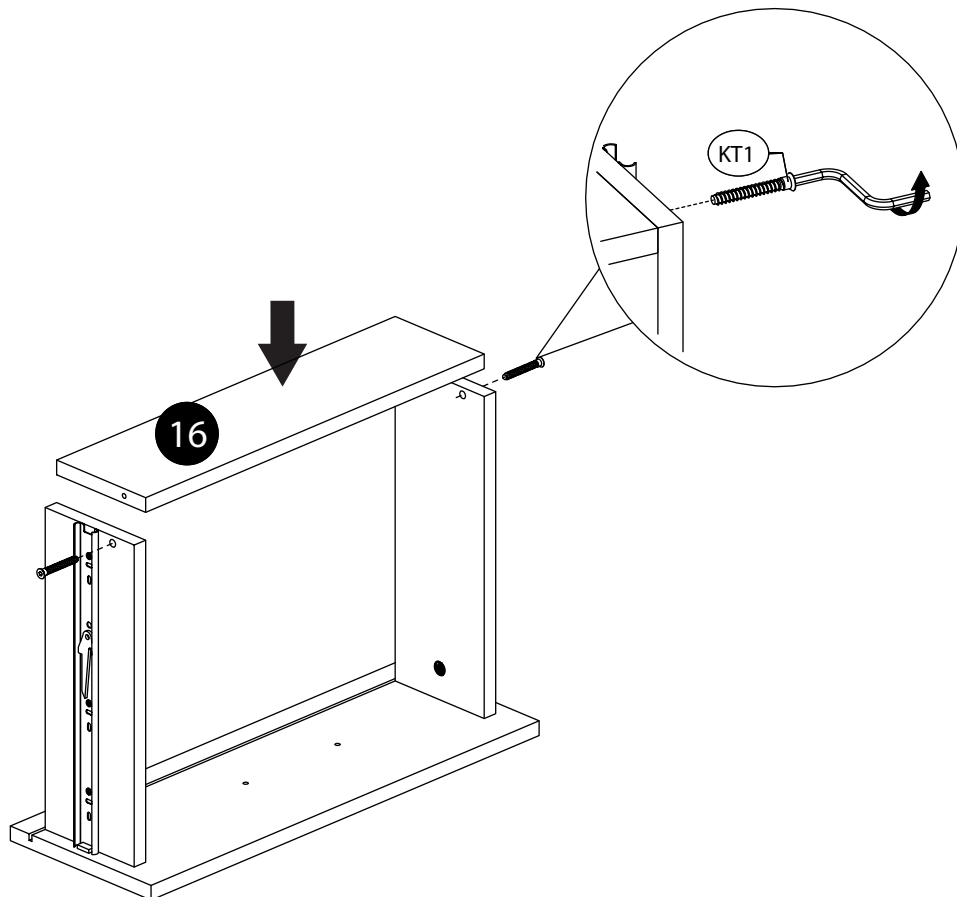


43.



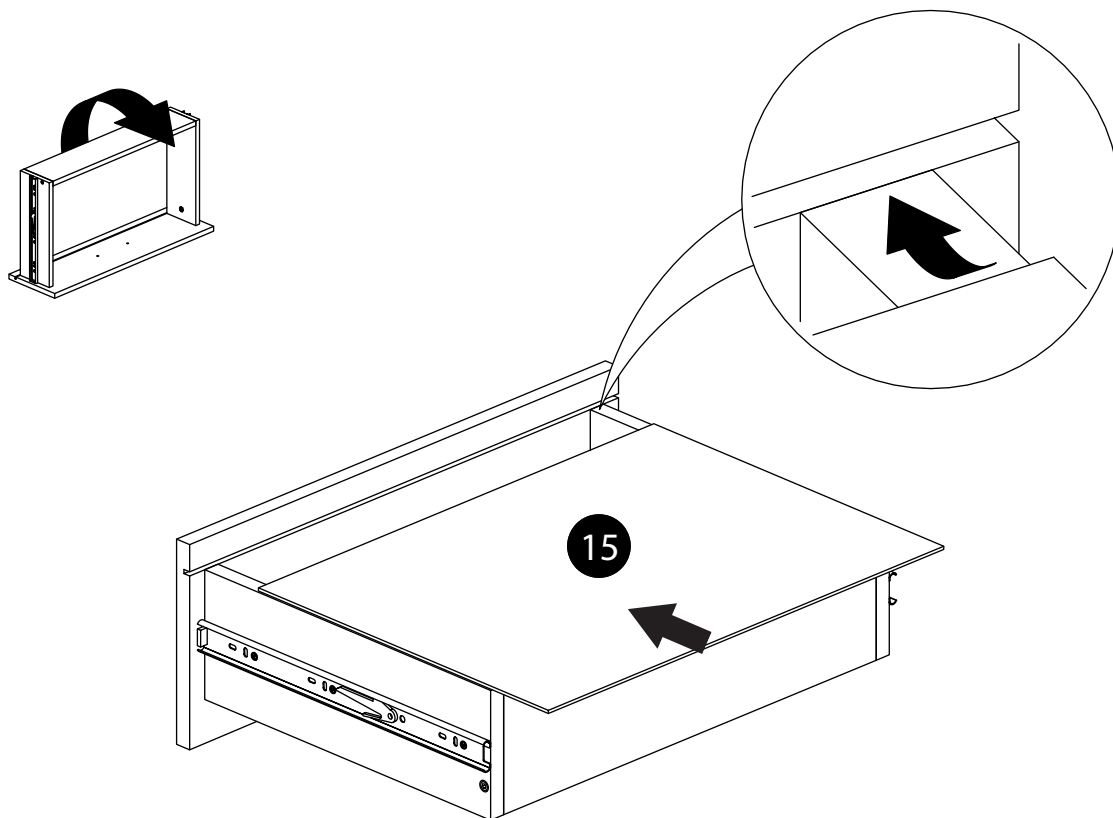
44.

x3



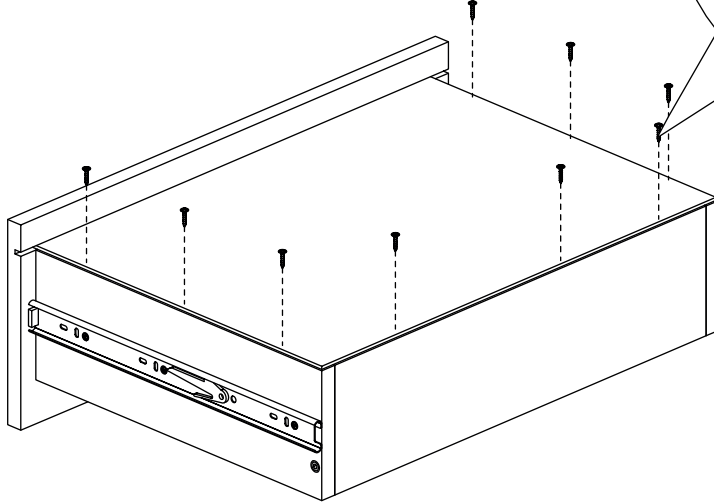
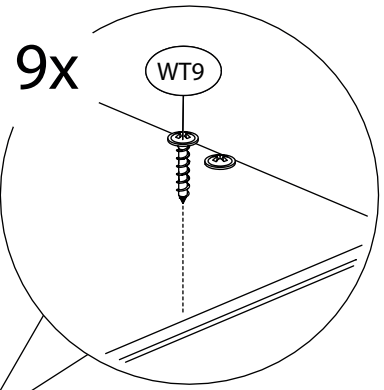
45.

x3



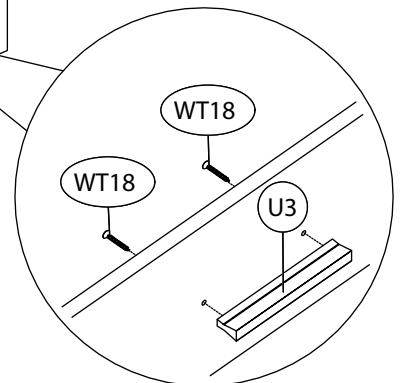
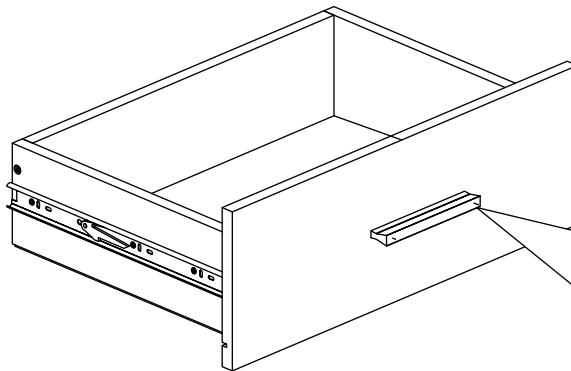
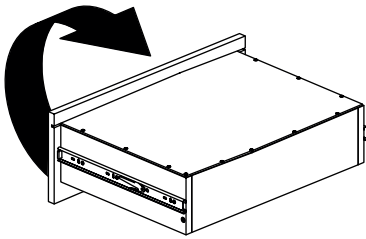
46.

x3

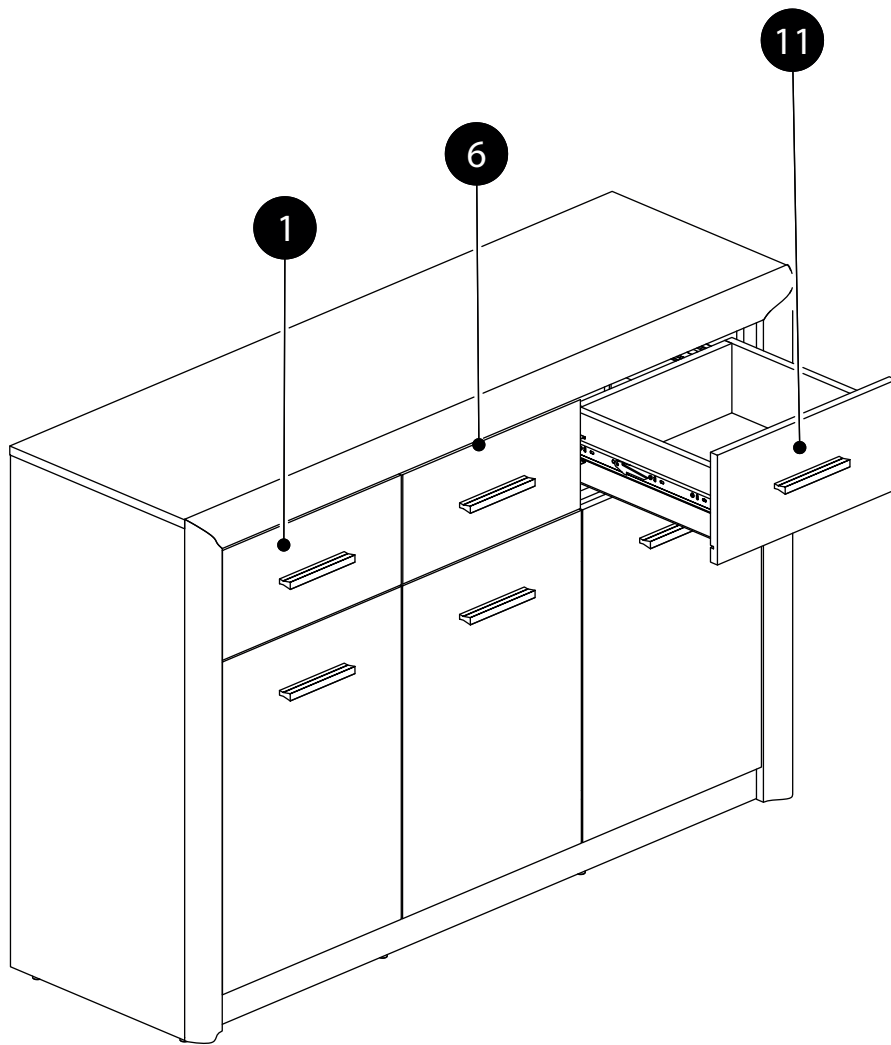


47.

x3



48.



49.

