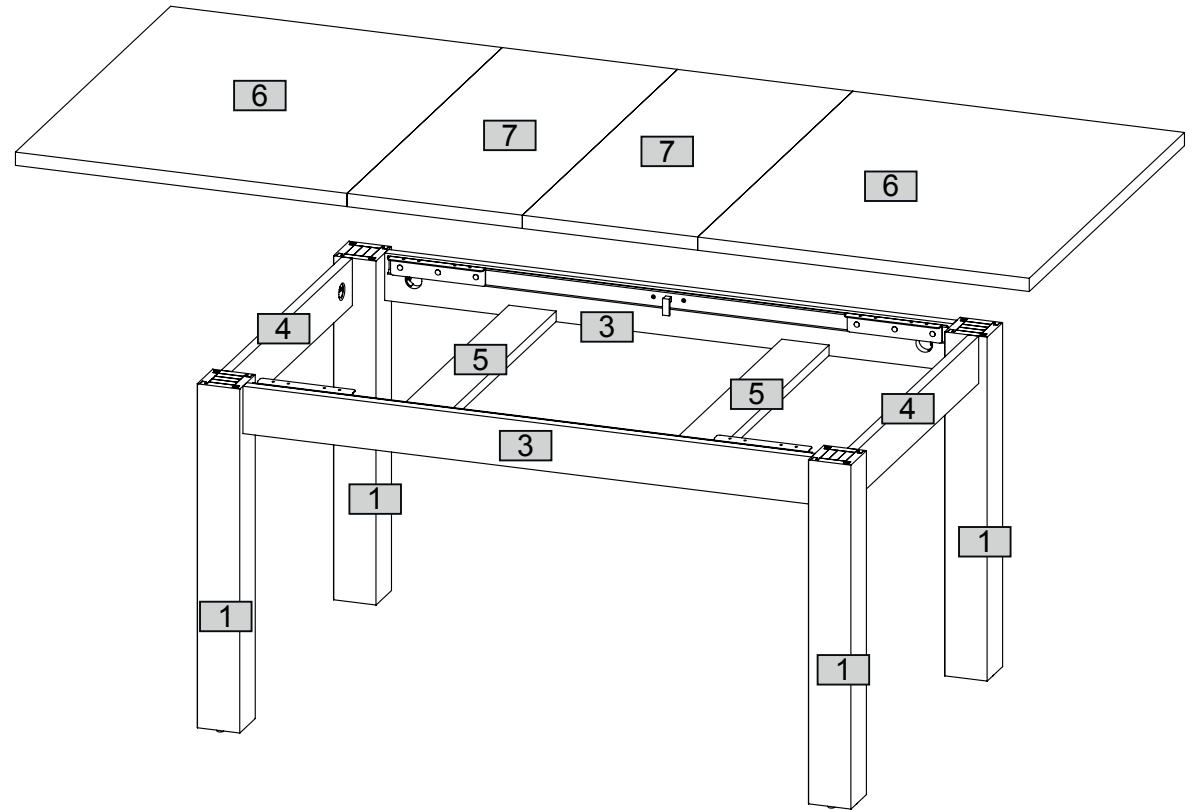
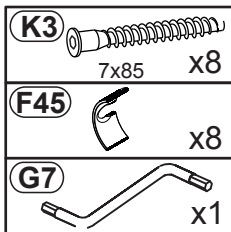
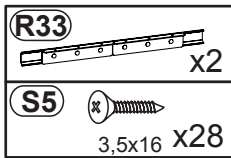


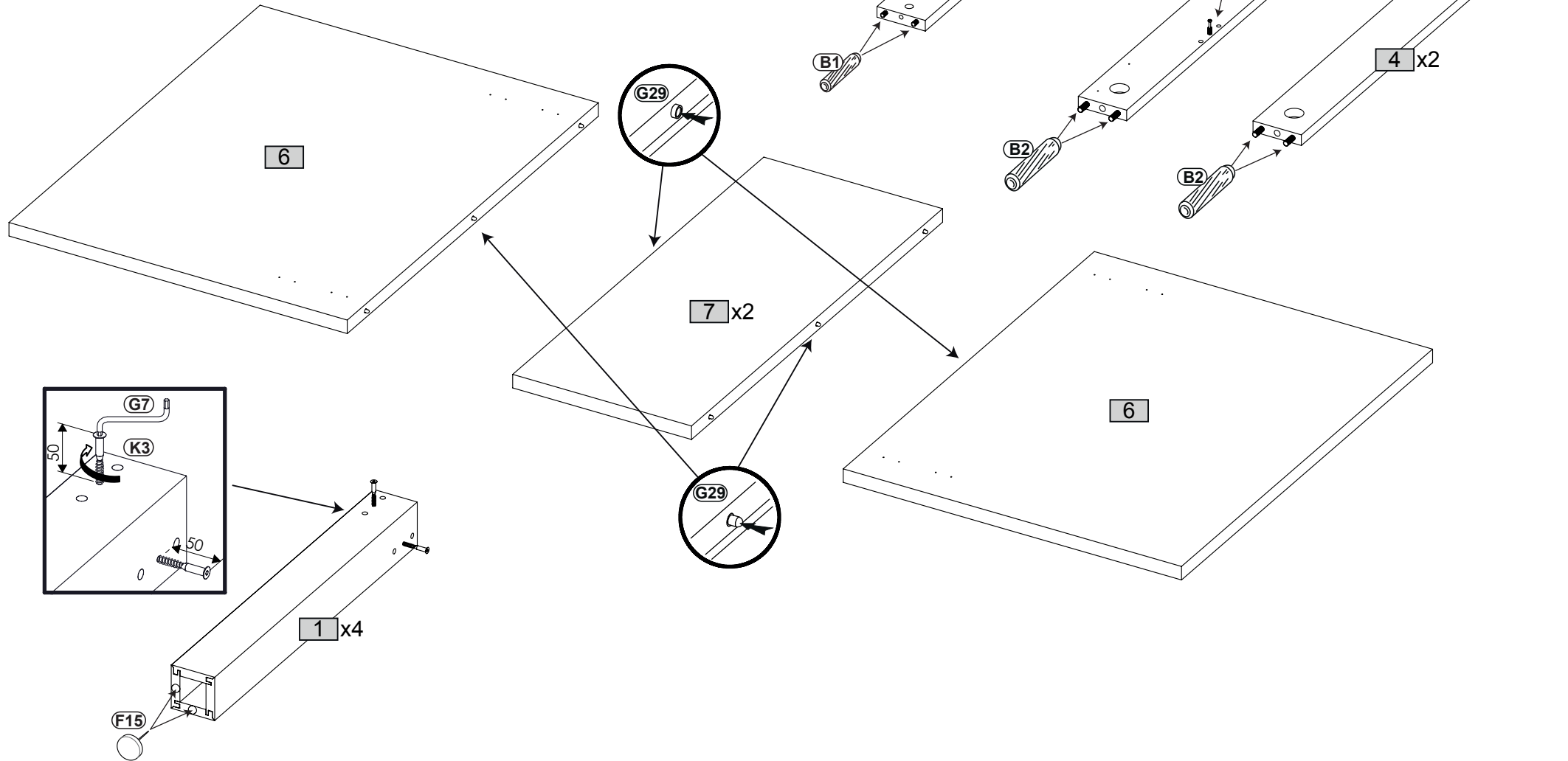
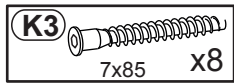
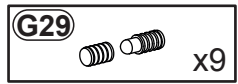
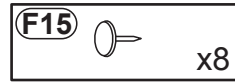
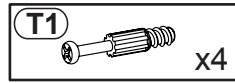
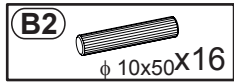
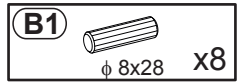
| Nr | Ausmaß |     |    | St | Colli |
|----|--------|-----|----|----|-------|
| 1  | 726    | 90  | 90 | 4  | 1     |
| 3  | 1200   | 100 | 28 | 2  | 1     |
| 4  | 700    | 100 | 28 | 2  | 1     |
| 5  | 800    | 100 | 28 | 2  | 1     |
| 6  | 900    | 700 | 28 | 2  | 2     |
| 7  | 900    | 370 | 28 | 2  | 2     |



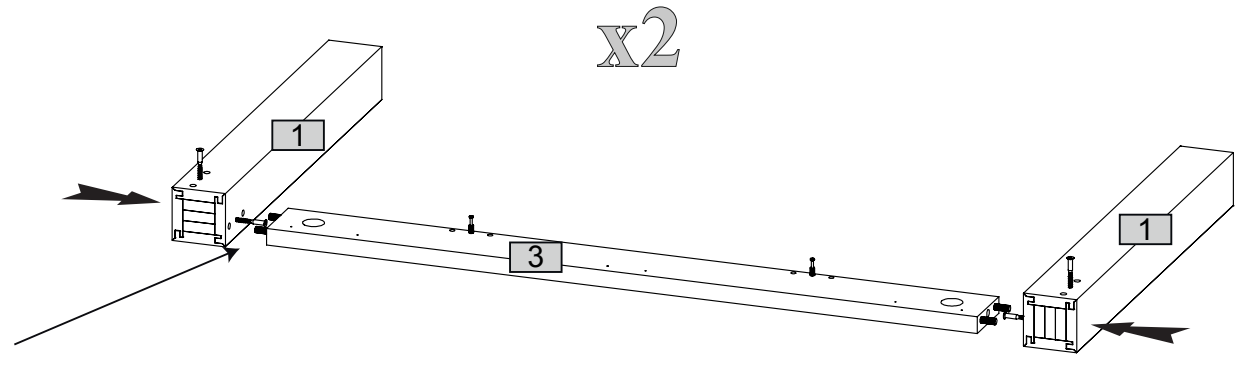
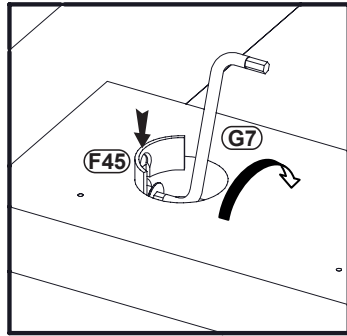
0 10 20 30 40 50 60 70 80 90 100 110 120 130 140 150 160 170 180 190 200



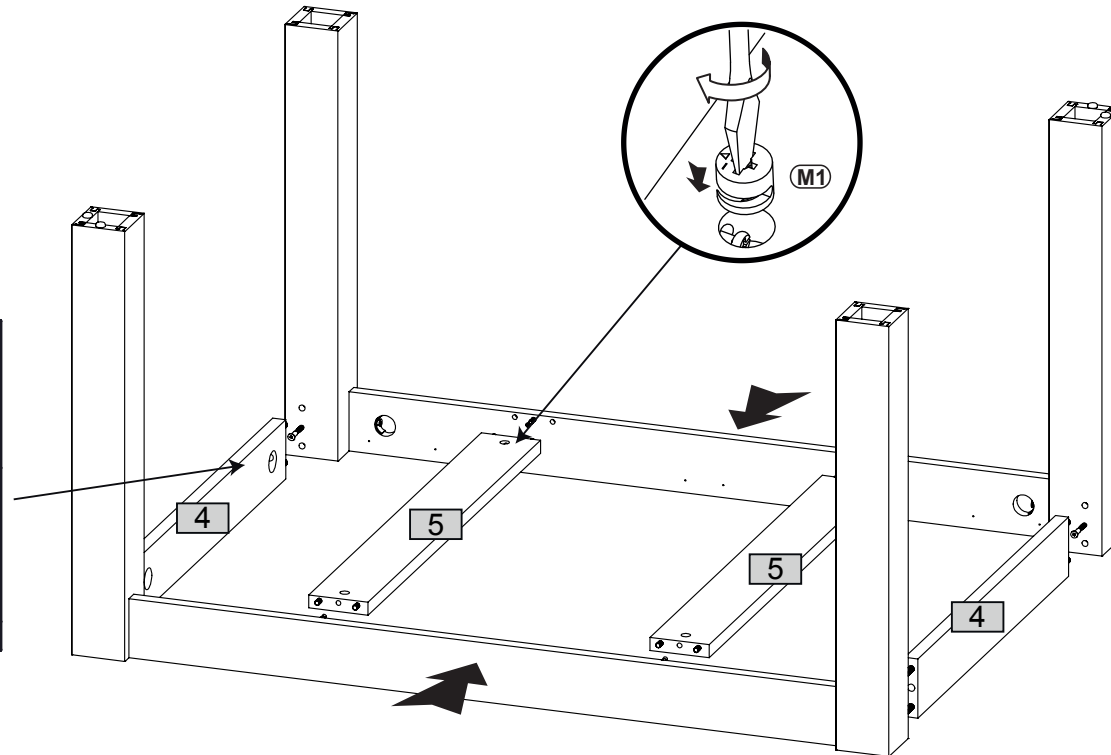
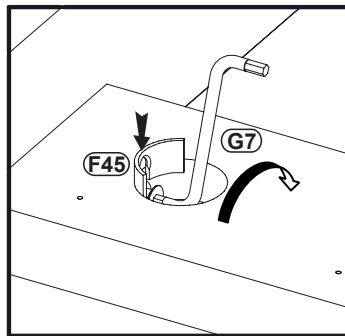
1



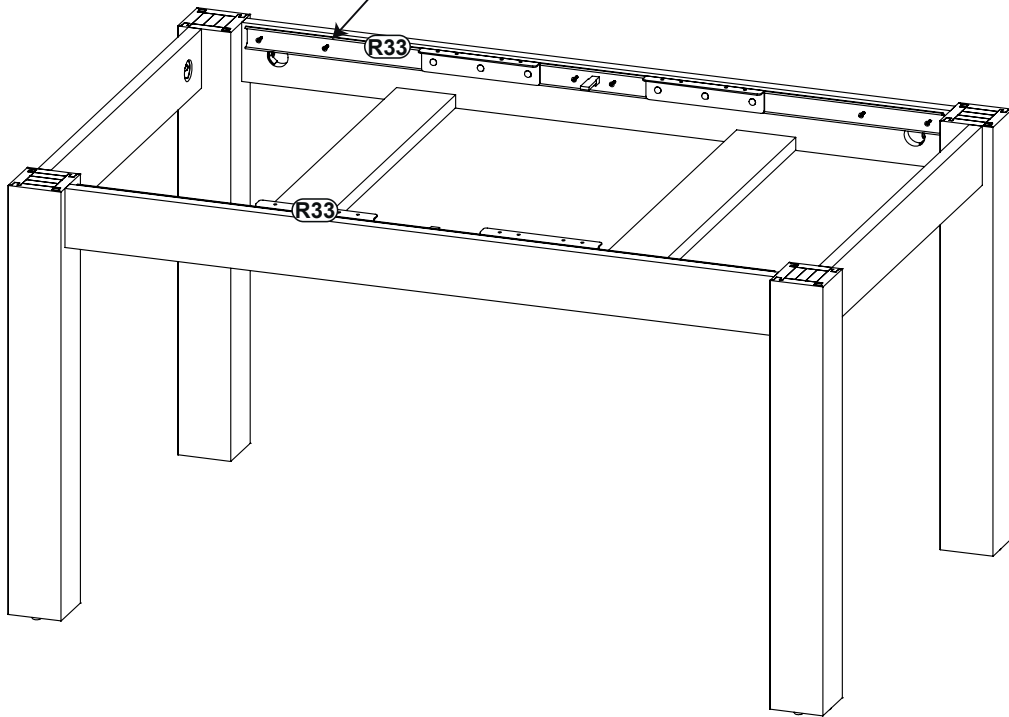
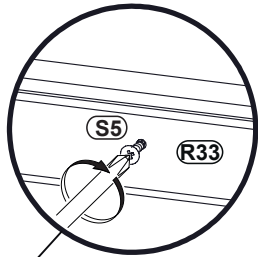
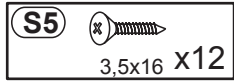
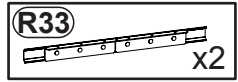
2



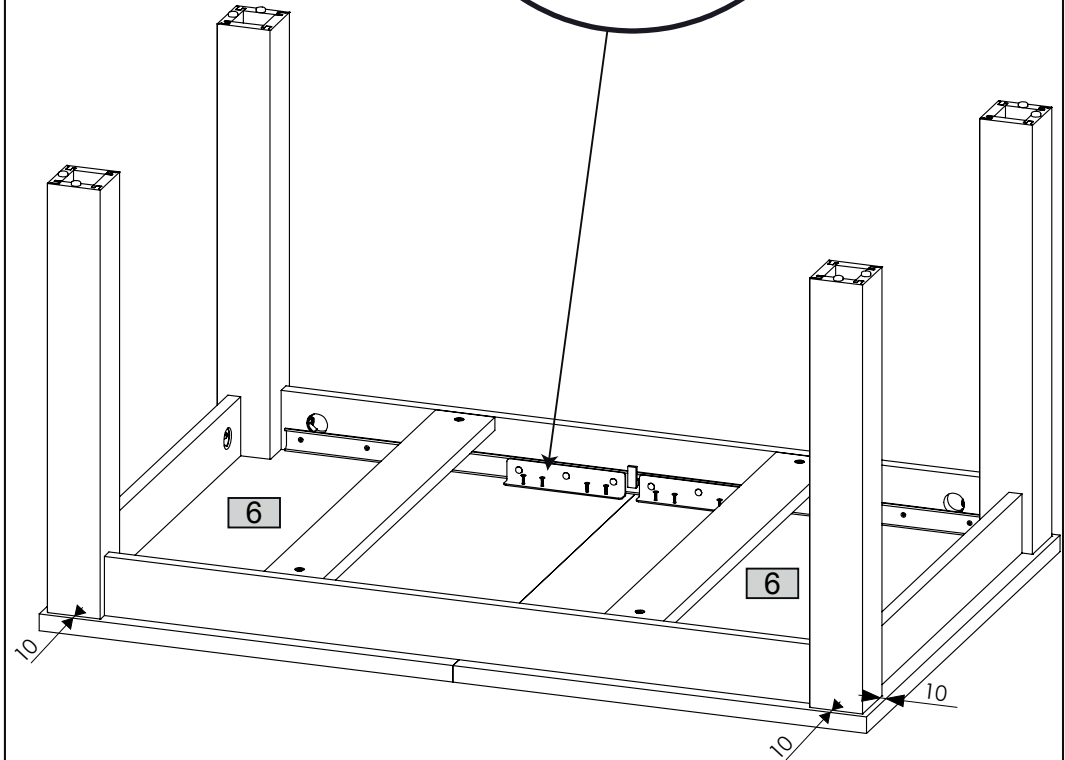
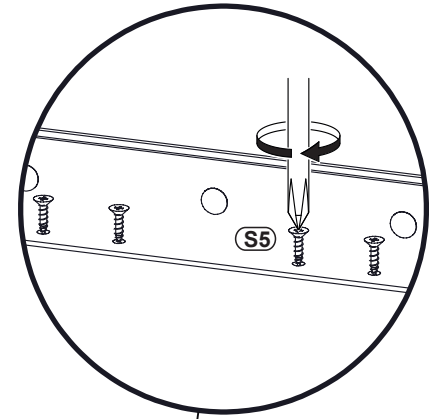
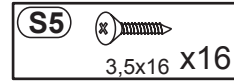
3



4



5



6

