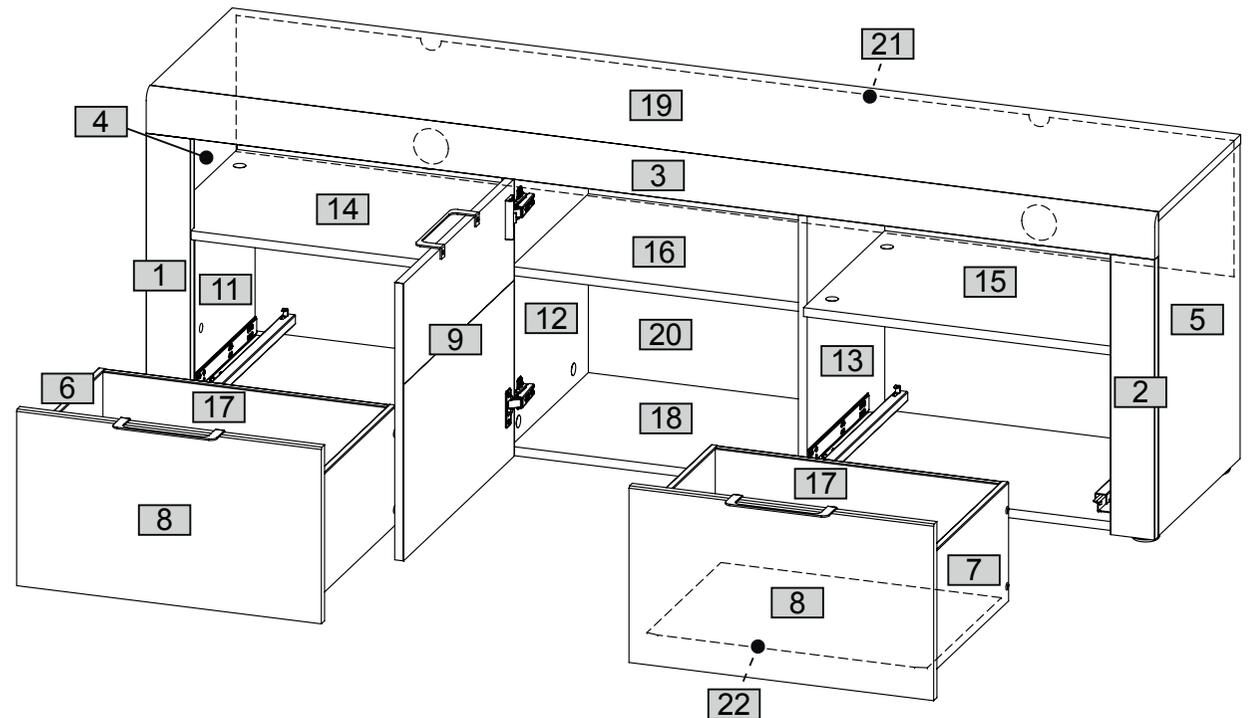


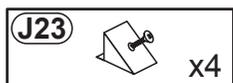
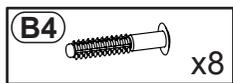
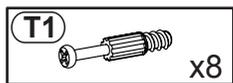
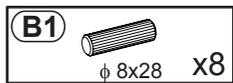
| Nr | Ausmaß | | | St | Colli |
|----|--------|-----|----|----|-------|
| | | | | | |
| 1 | 471 | 75 | 18 | 1 | 2 |
| 2 | 471 | 75 | 18 | 1 | 2 |
| 3 | 1708 | 75 | 18 | 1 | 1 |
| 4 | 530 | 382 | 15 | 1 | 2 |
| 5 | 530 | 382 | 15 | 1 | 2 |
| 6 | 350 | 200 | 12 | 2 | 2 |
| 7 | 350 | 200 | 12 | 2 | 2 |
| 8 | 516 | 296 | 15 | 2 | 1 |
| 9 | 466 | 516 | 15 | 1 | 2 |
| 11 | 286 | 280 | 15 | 2 | 1 |
| 12 | 515 | 361 | 15 | 1 | 2 |
| 13 | 515 | 361 | 15 | 1 | 2 |
| 14 | 579 | 378 | 15 | 1 | 1 |
| 15 | 579 | 378 | 15 | 1 | 1 |
| 16 | 487 | 357 | 15 | 1 | 1 |
| 17 | 480 | 200 | 12 | 2 | 2 |
| 18 | 1676 | 382 | 15 | 1 | 1 |
| 19 | 1708 | 382 | 15 | 1 | 1 |
| 20 | 1690 | 300 | 2 | 1 | 1 |
| 21 | 1690 | 229 | 2 | 1 | 1 |
| 22 | 491 | 349 | 2 | 2 | 1 |



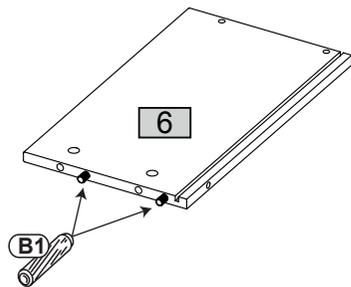
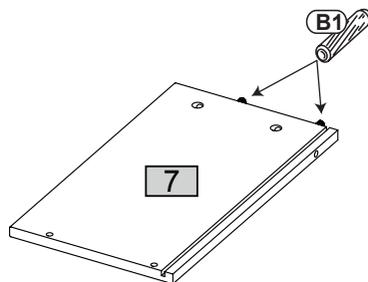
0 10 20 30 40 50 60 70 80 90 100 110 120 130 140 150 160 170 180 190 200



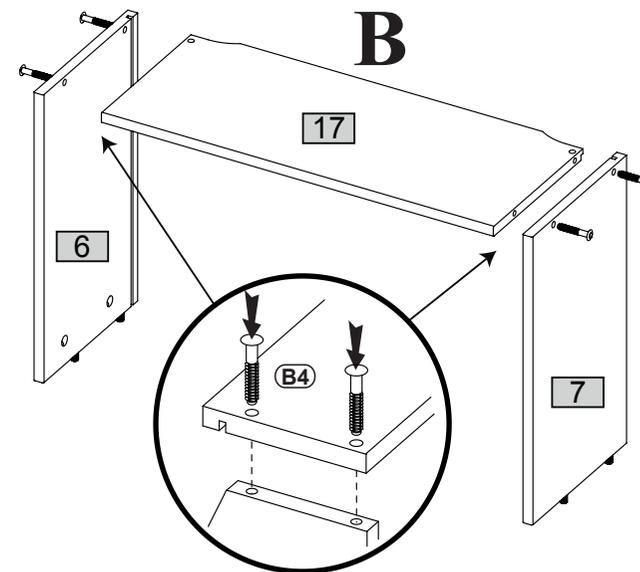
1



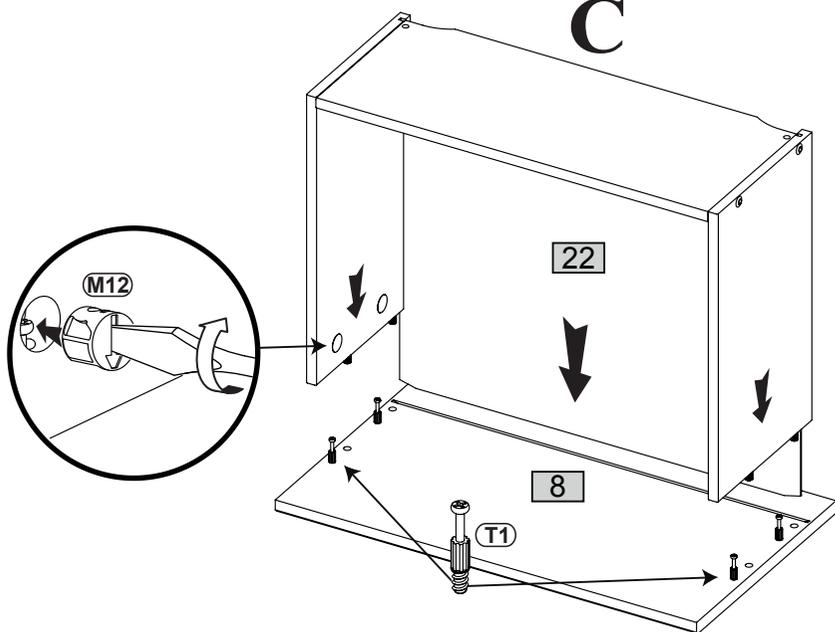
A



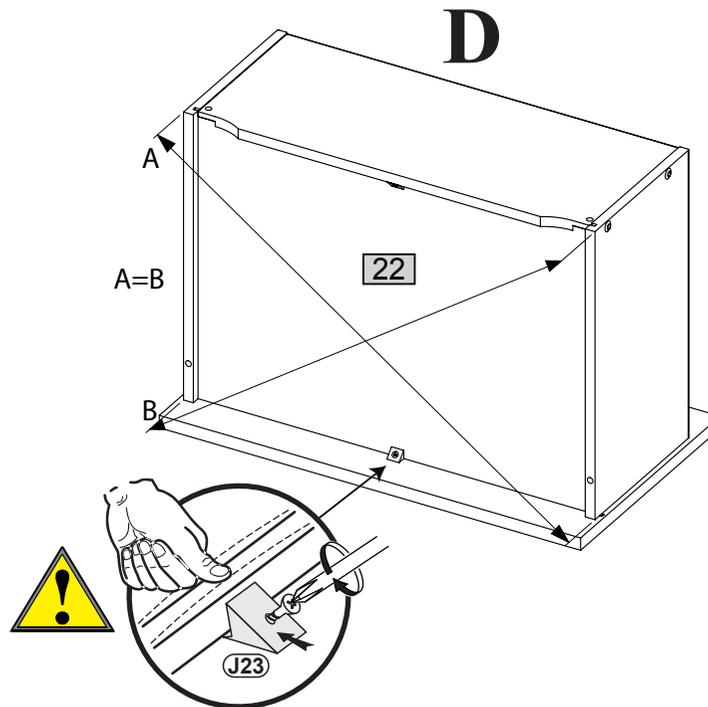
x2



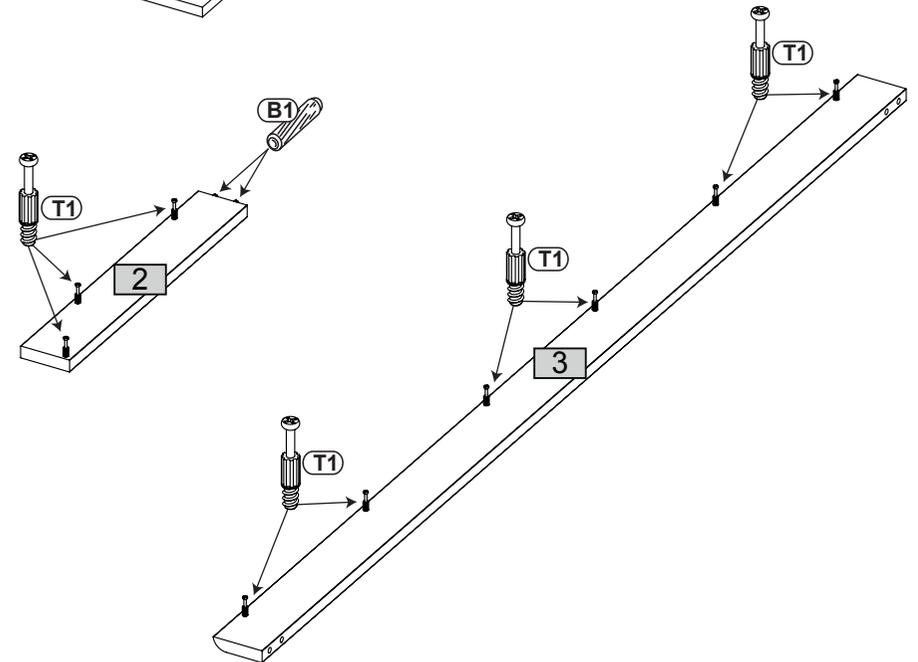
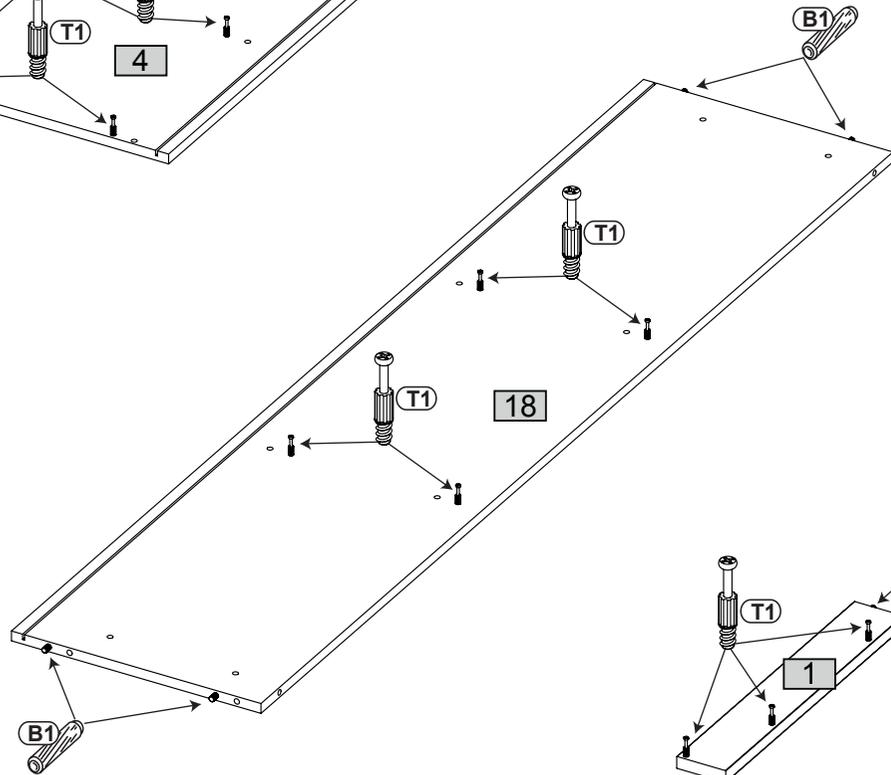
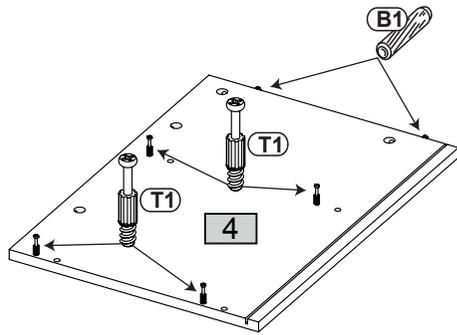
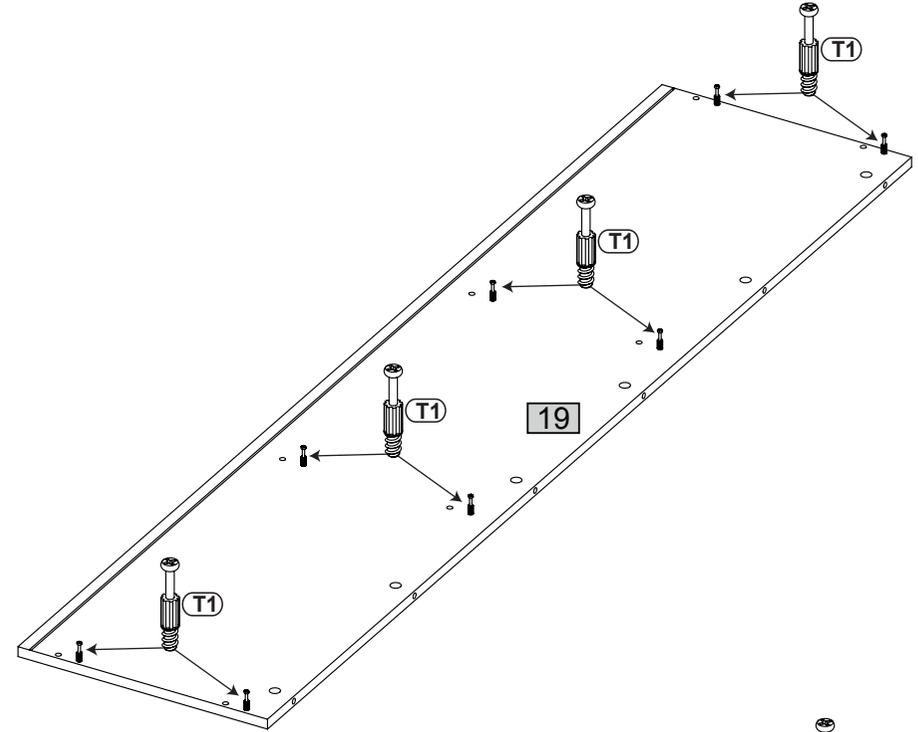
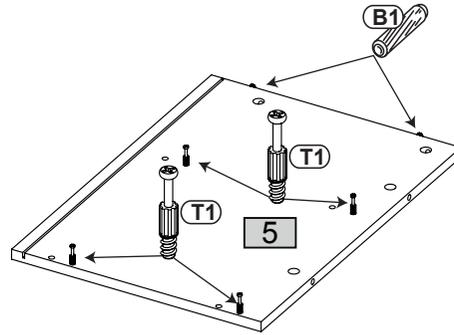
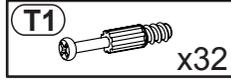
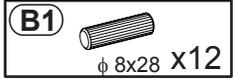
C



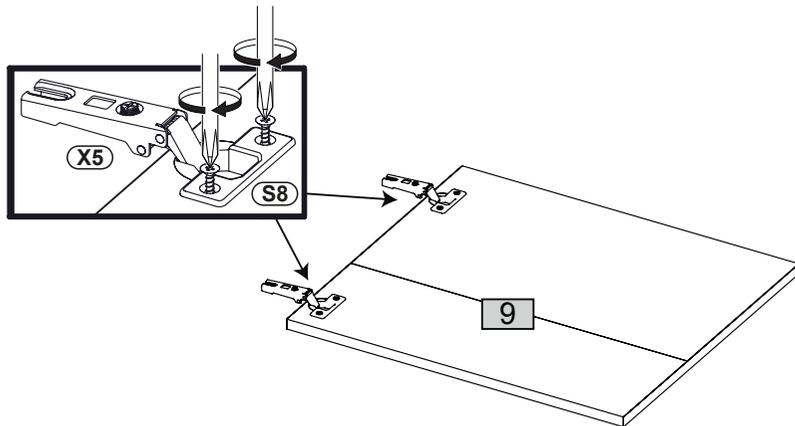
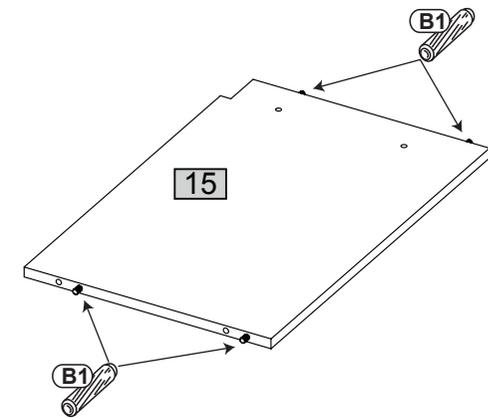
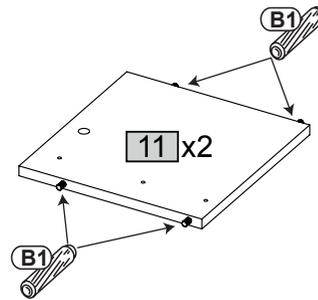
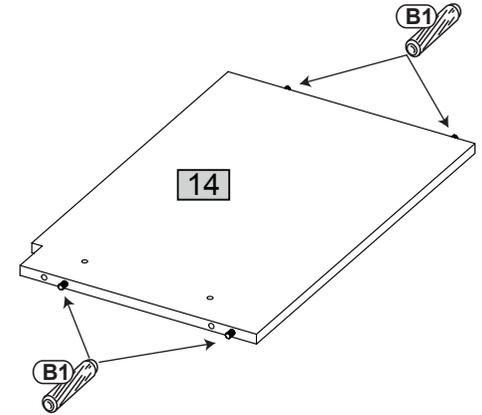
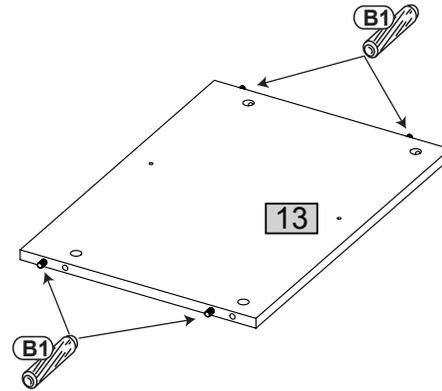
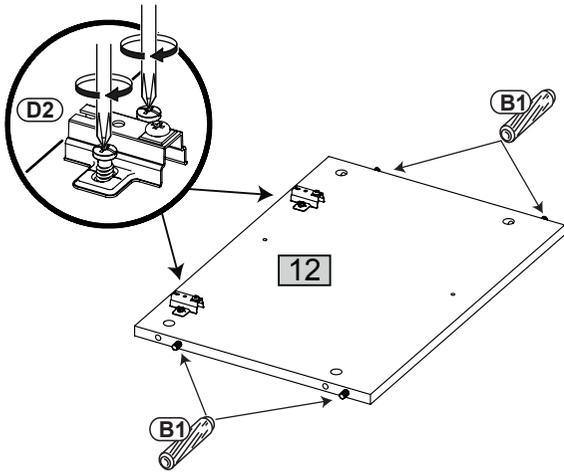
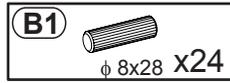
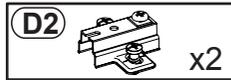
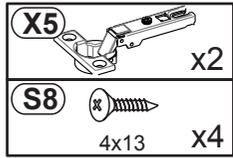
D



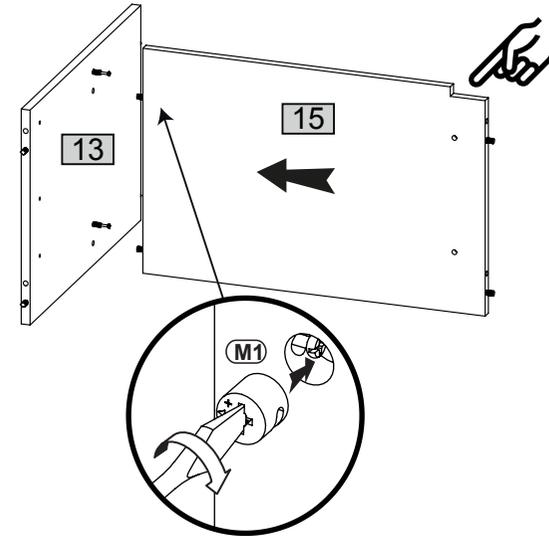
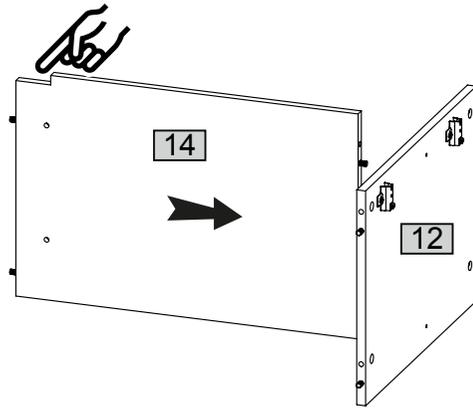
2



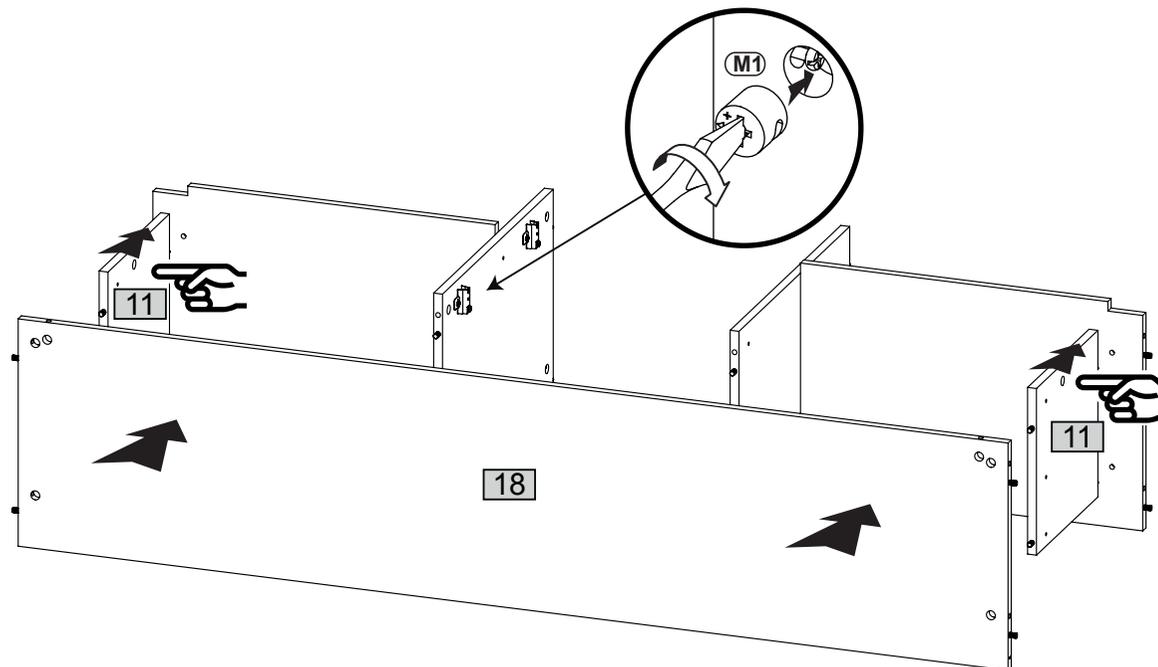
3



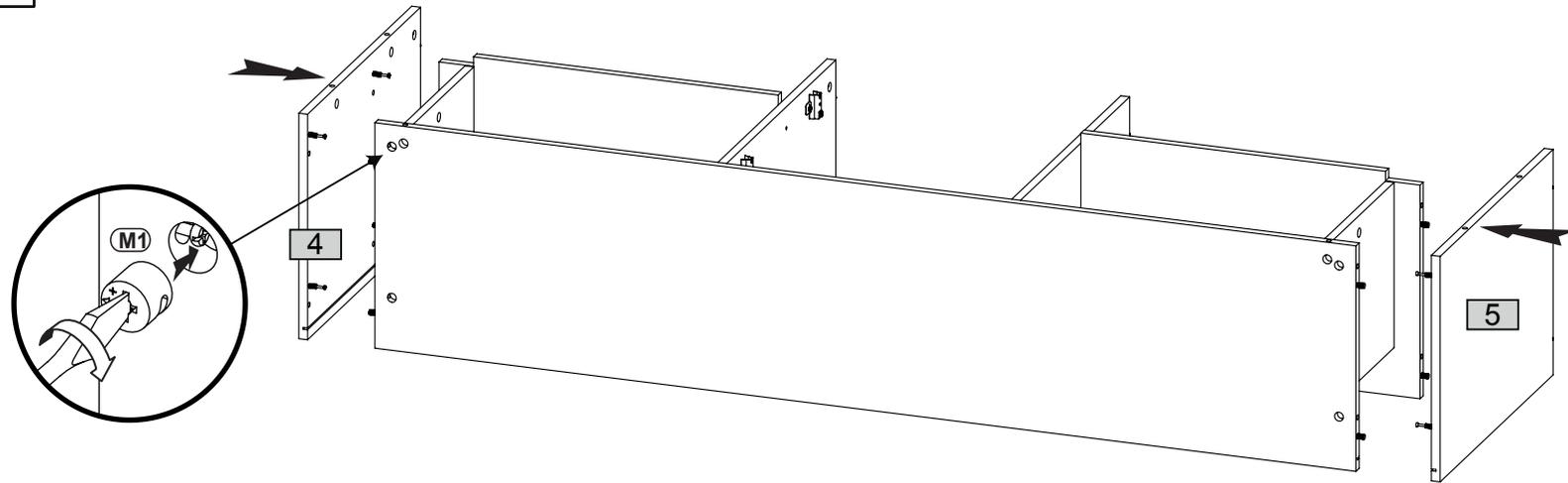
4



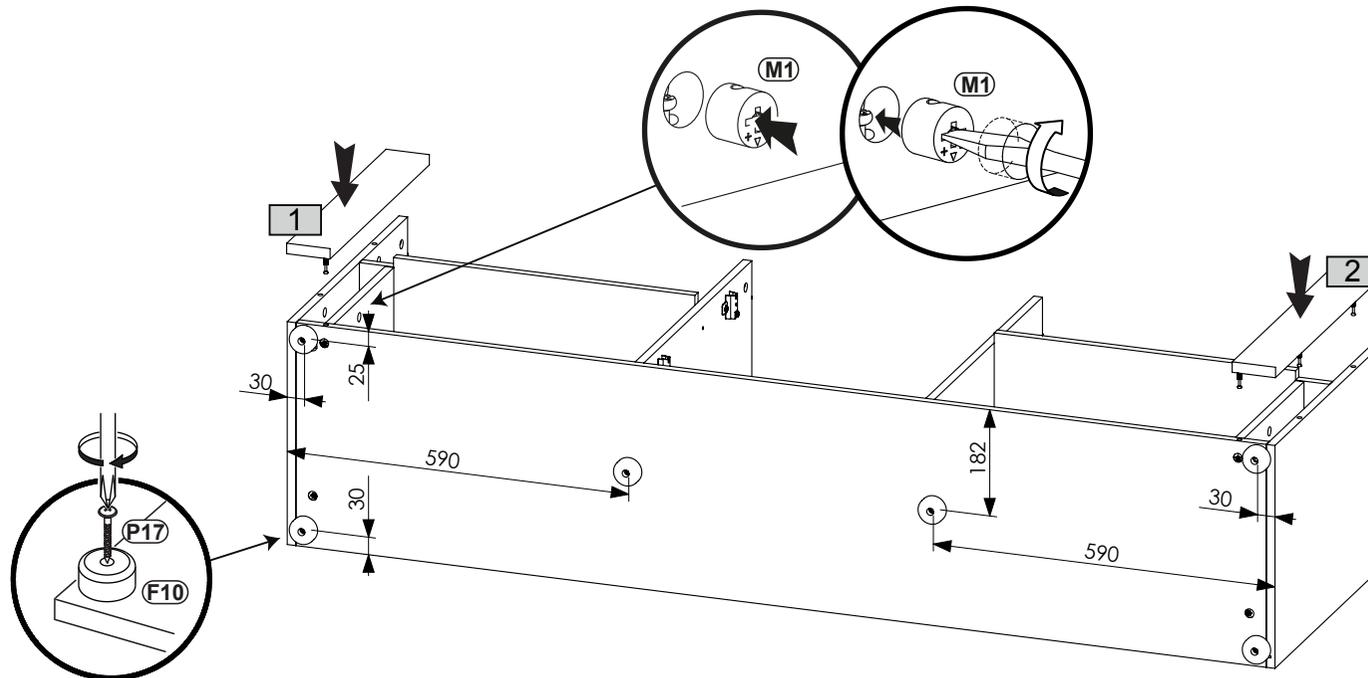
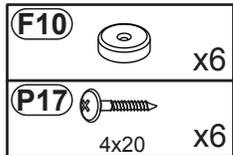
5



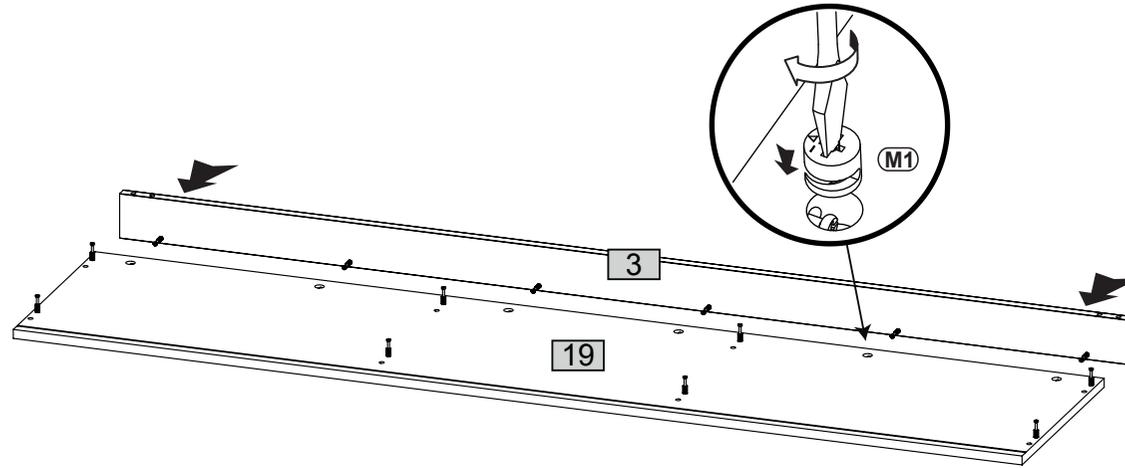
6



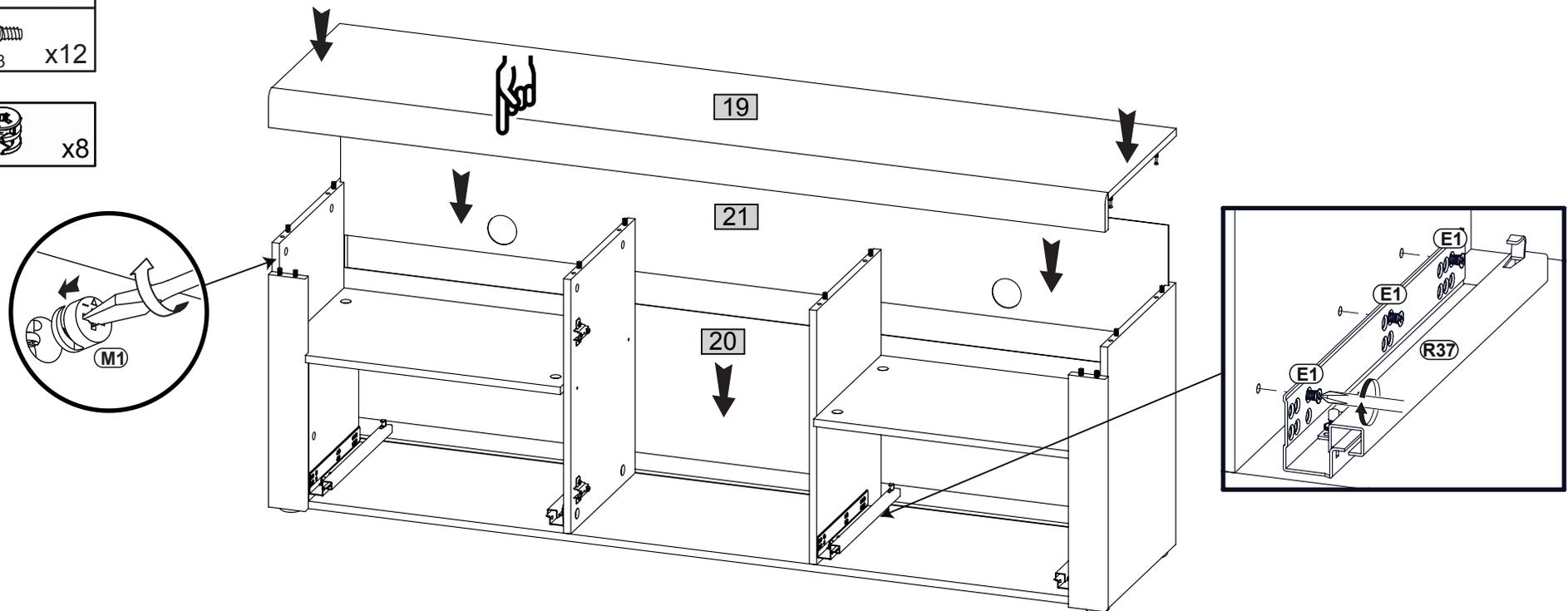
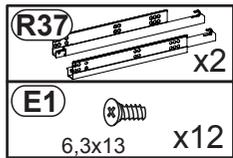
7



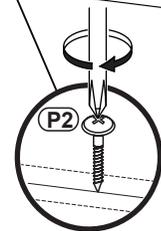
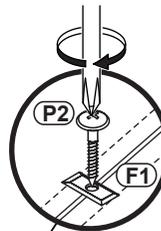
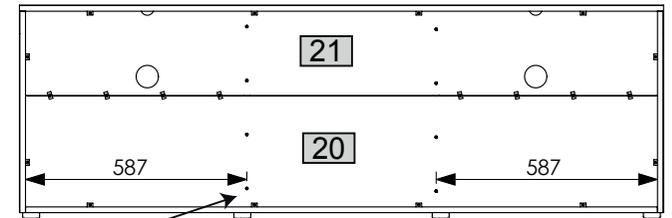
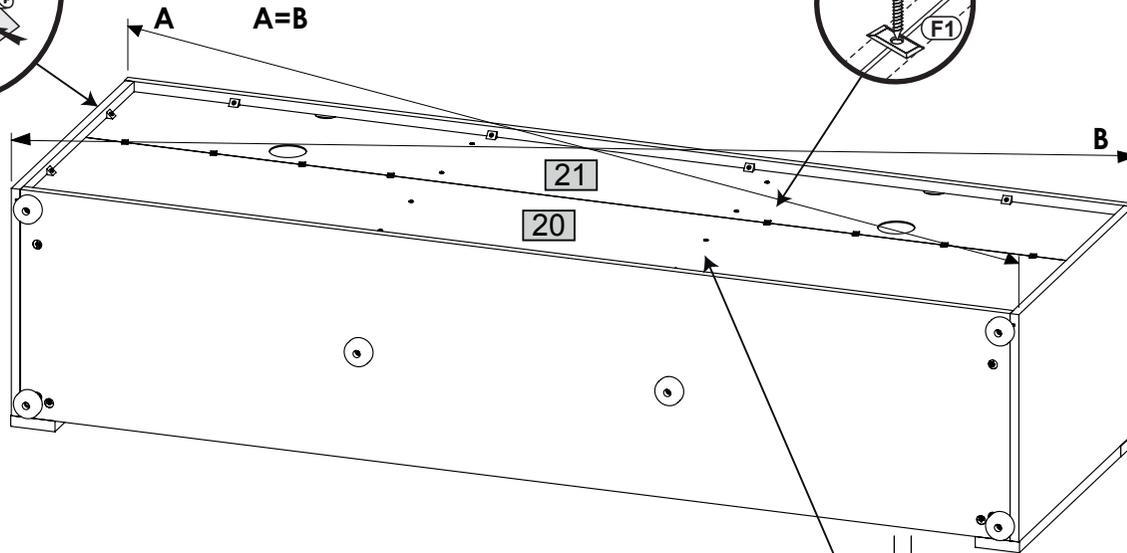
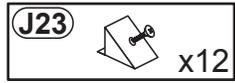
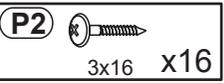
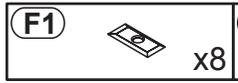
8



9



10



11

