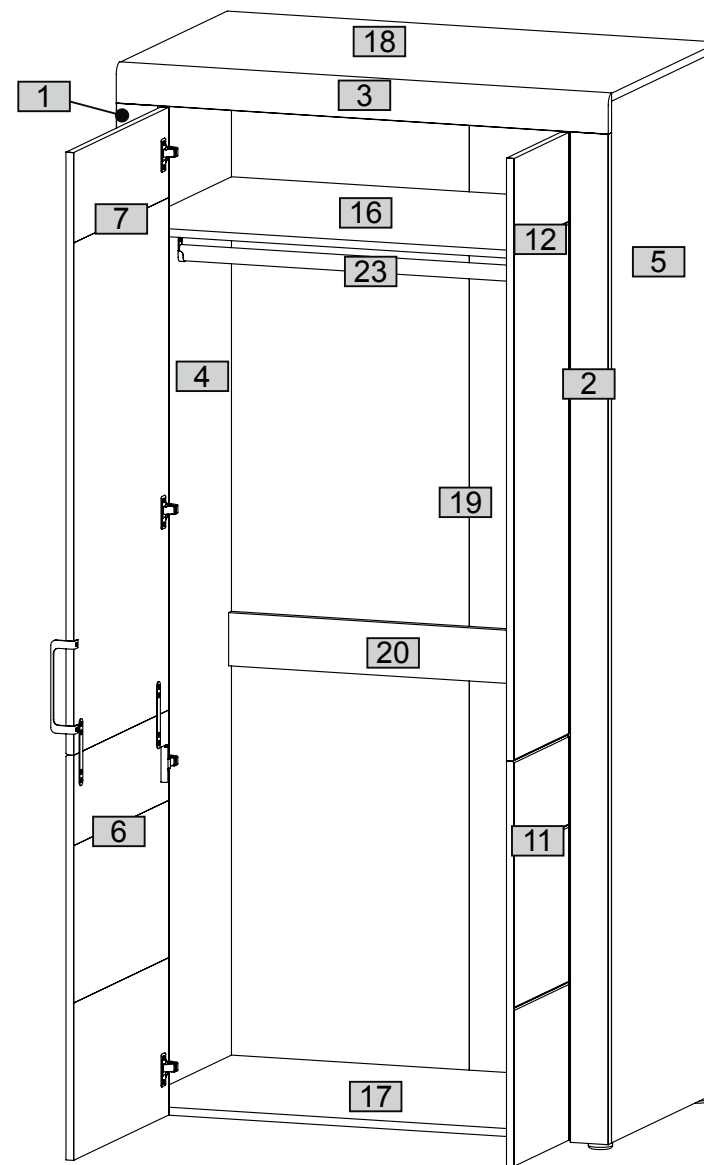
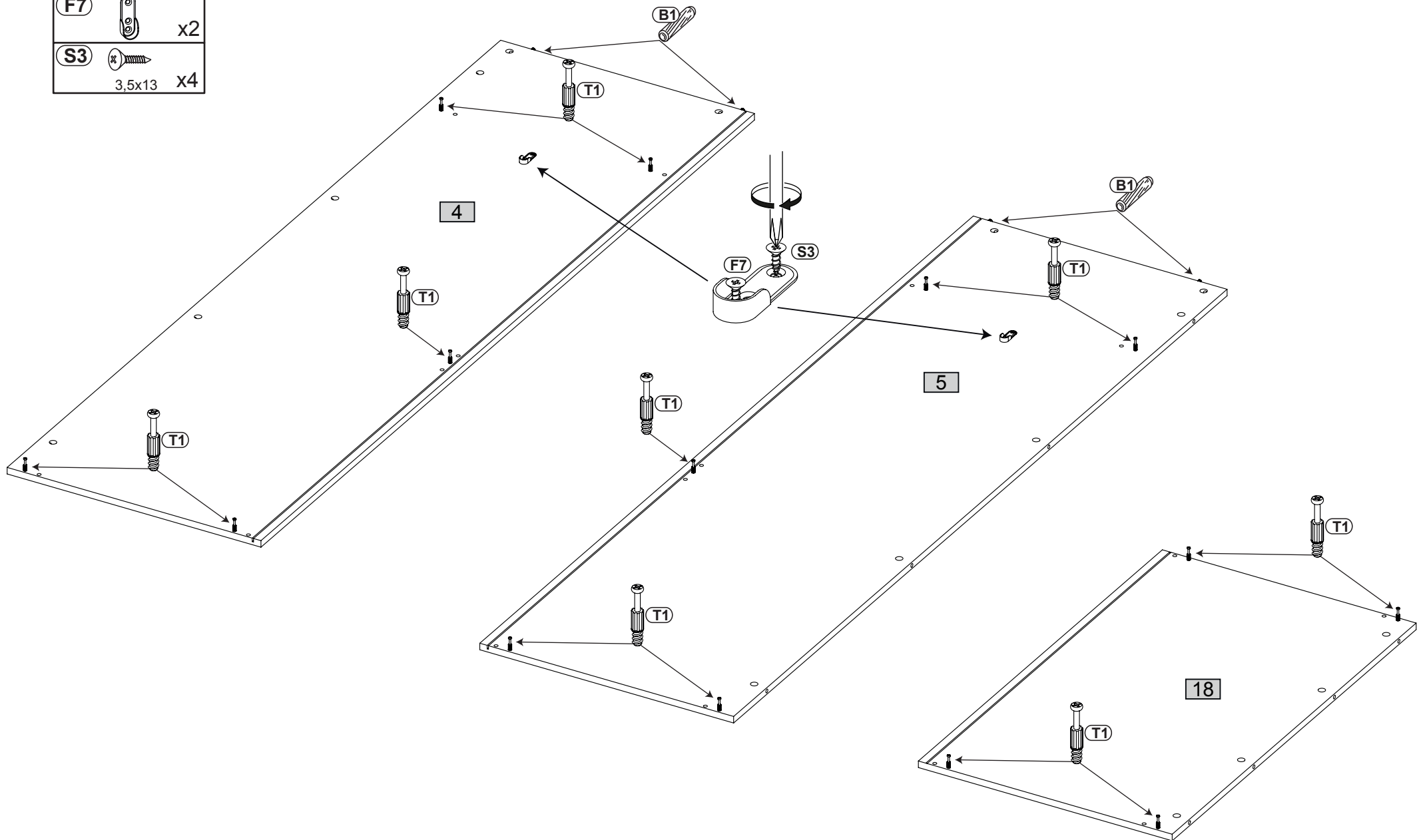
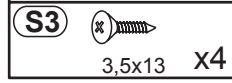
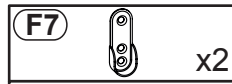
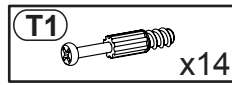
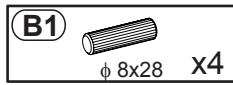


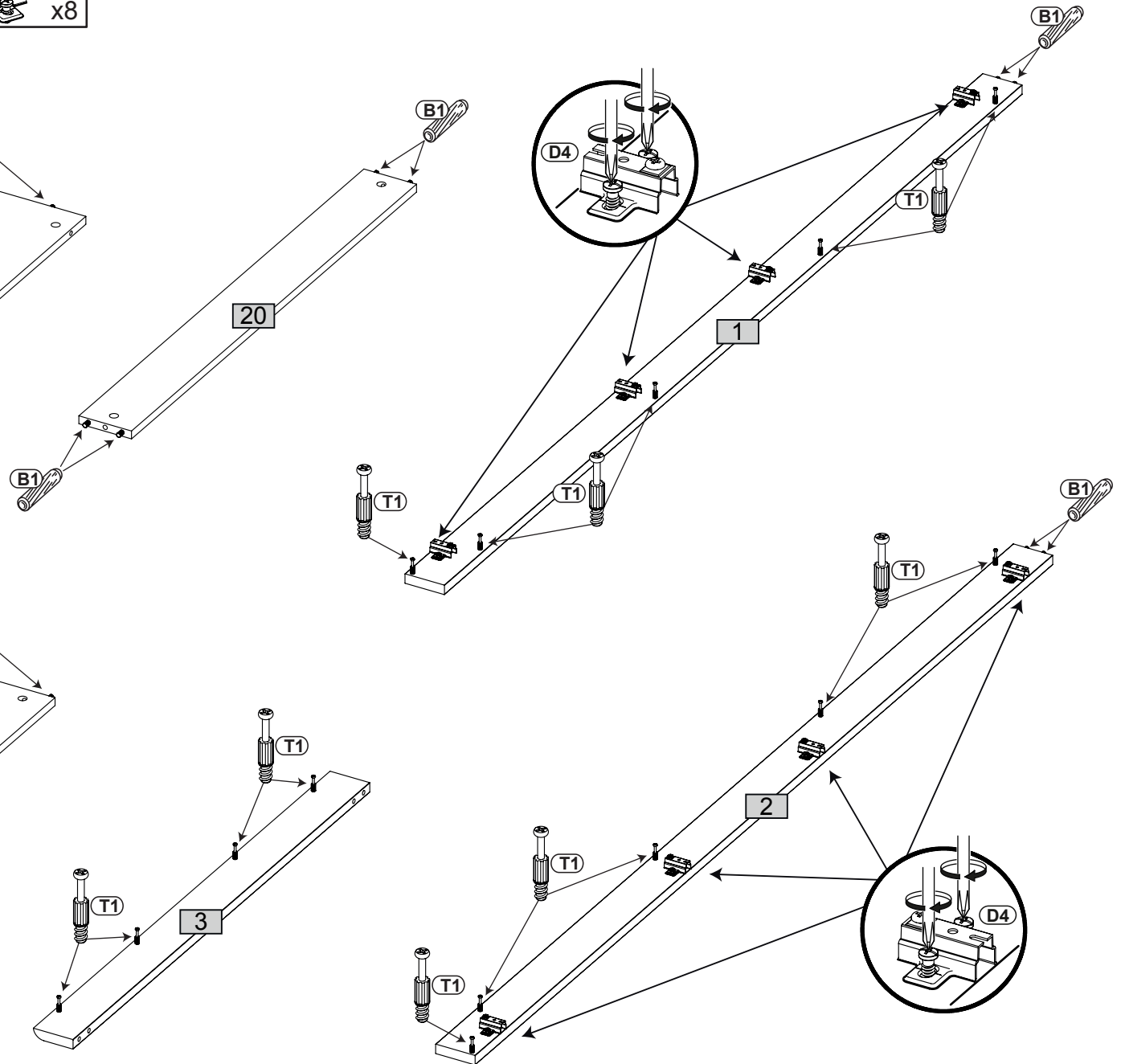
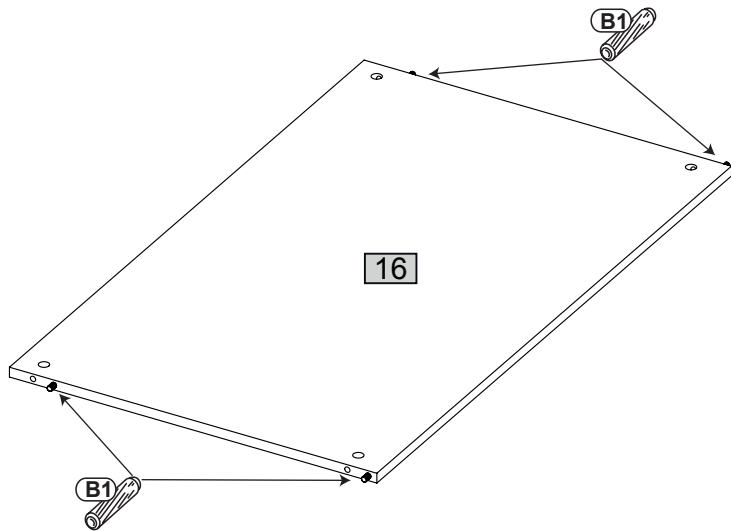
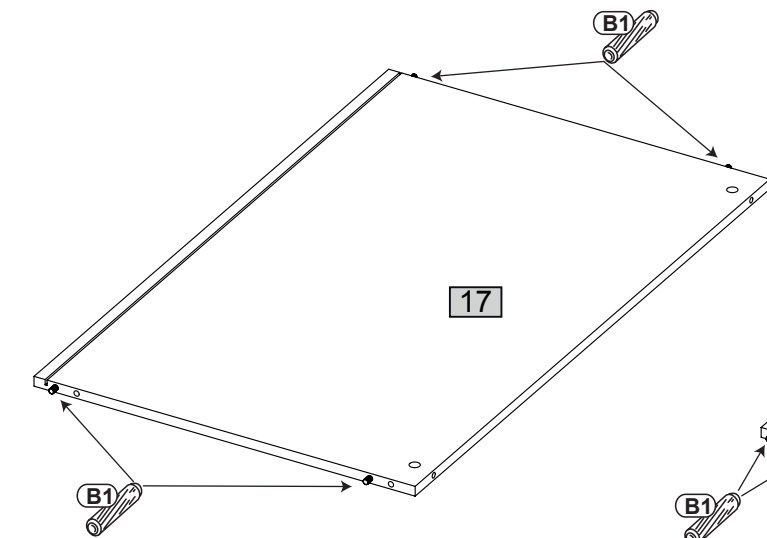
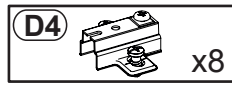
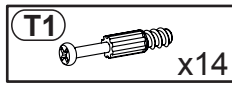
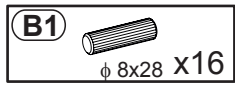
| Nr | Ausmaß | | | St | Colli |
|----|--------|-----|----|----|-------|
| 1 | 1901 | 75 | 18 | 1 | 1 |
| 2 | 1901 | 75 | 18 | 1 | 1 |
| 3 | 970 | 75 | 18 | 2 | 2 |
| 4 | 1960 | 582 | 15 | 1 | 1 |
| 5 | 1960 | 582 | 15 | 1 | 1 |
| 6 | 762 | 516 | 15 | 1 | 2 |
| 7 | 1134 | 516 | 15 | 1 | 1 |
| 11 | 762 | 296 | 15 | 1 | 2 |
| 12 | 1134 | 296 | 15 | 1 | 1 |
| 16 | 938 | 561 | 15 | 1 | 2 |
| 17 | 938 | 582 | 15 | 1 | 2 |
| 18 | 969 | 582 | 15 | 1 | 2 |
| 19 | 1959 | 476 | 2 | 2 | 1 |
| 20 | 938 | 100 | 15 | 1 | 2 |
| 23 | 933 | | | 1 | 2 |



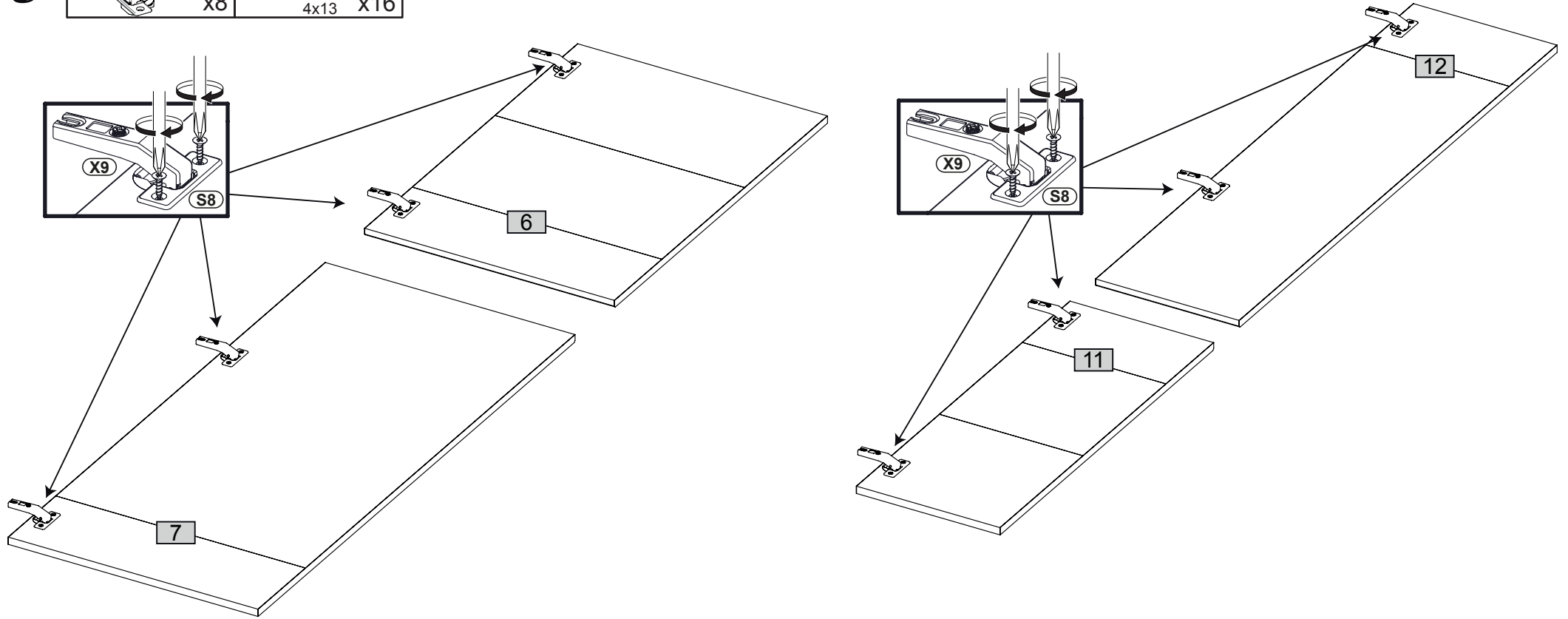
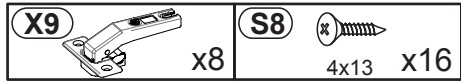
1



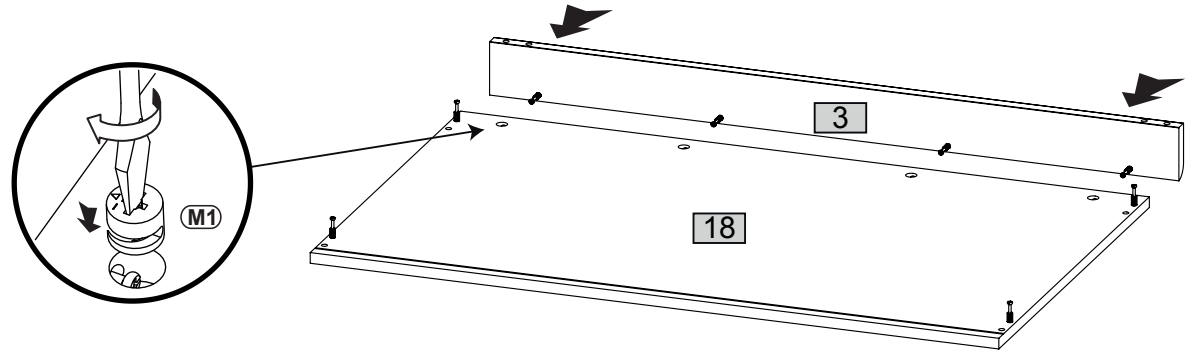
2



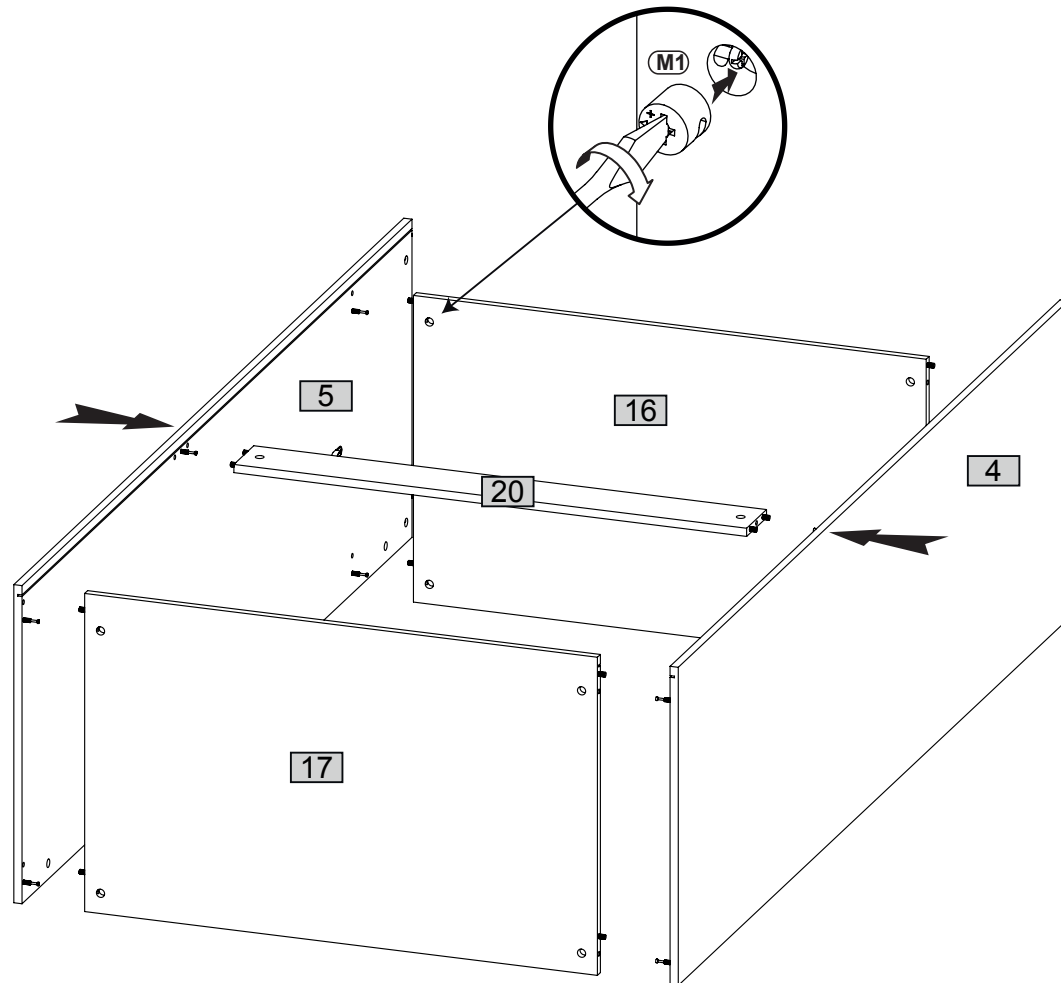
3





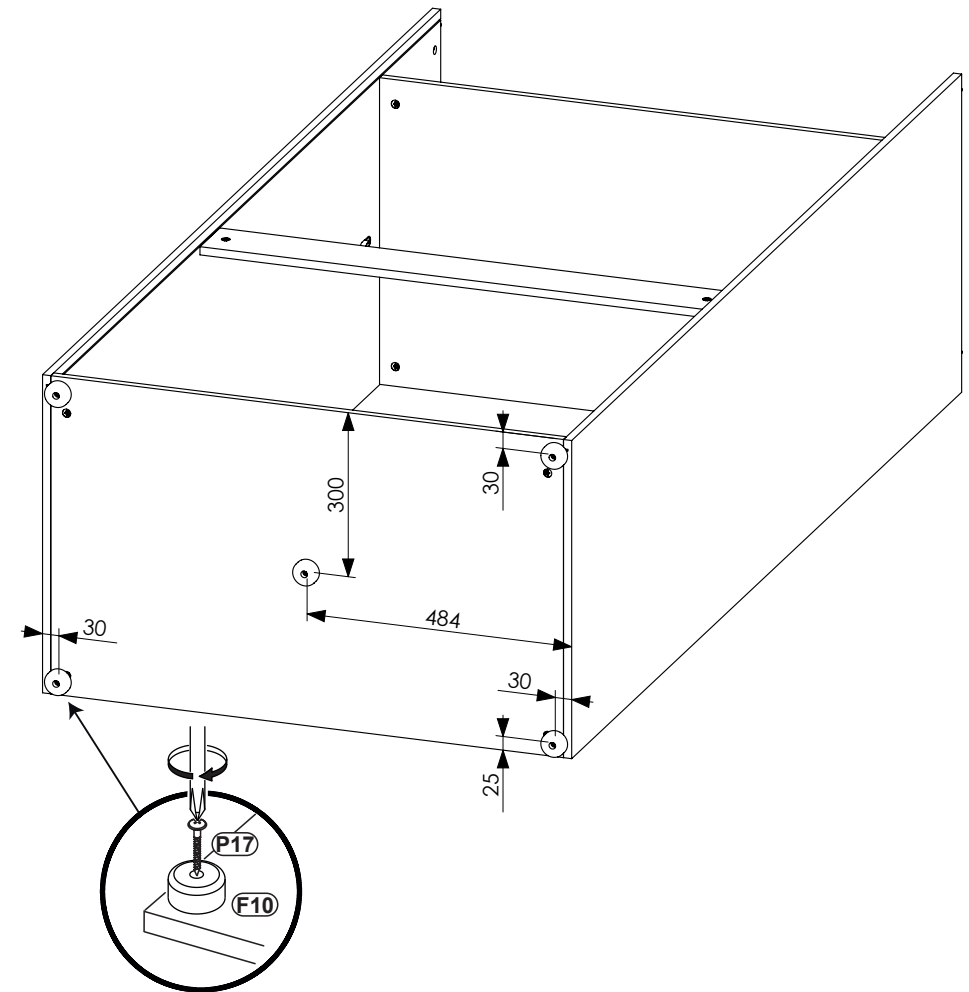
4



5 **M1**  x10

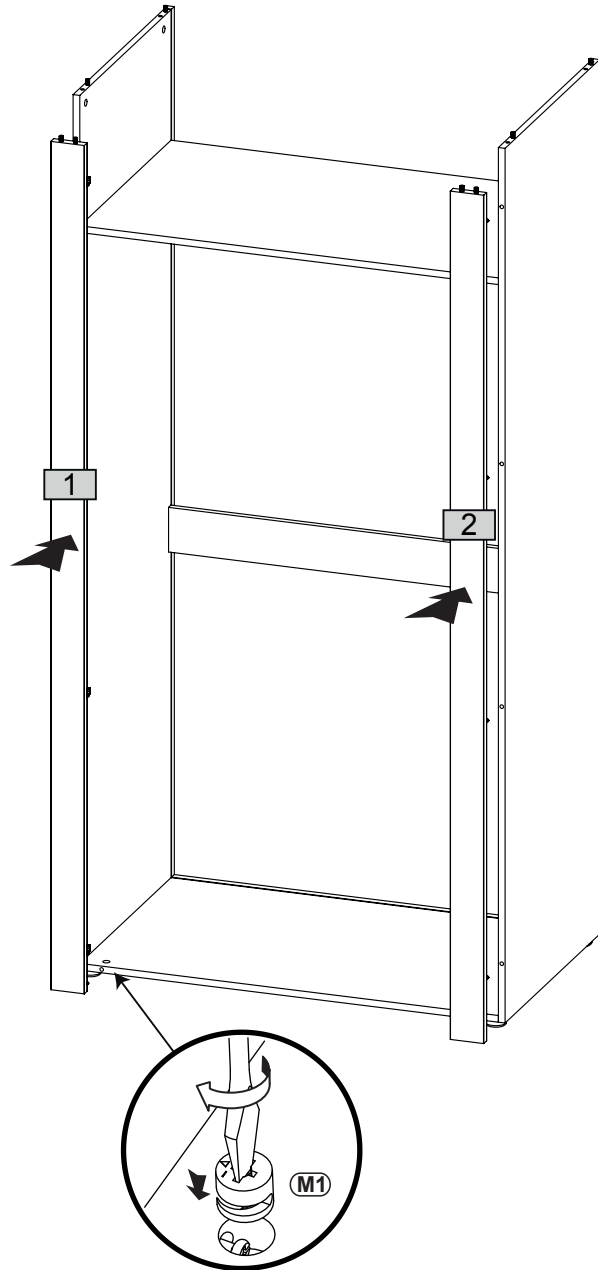


6 **F10**  x5 **P17**  4x20 x5



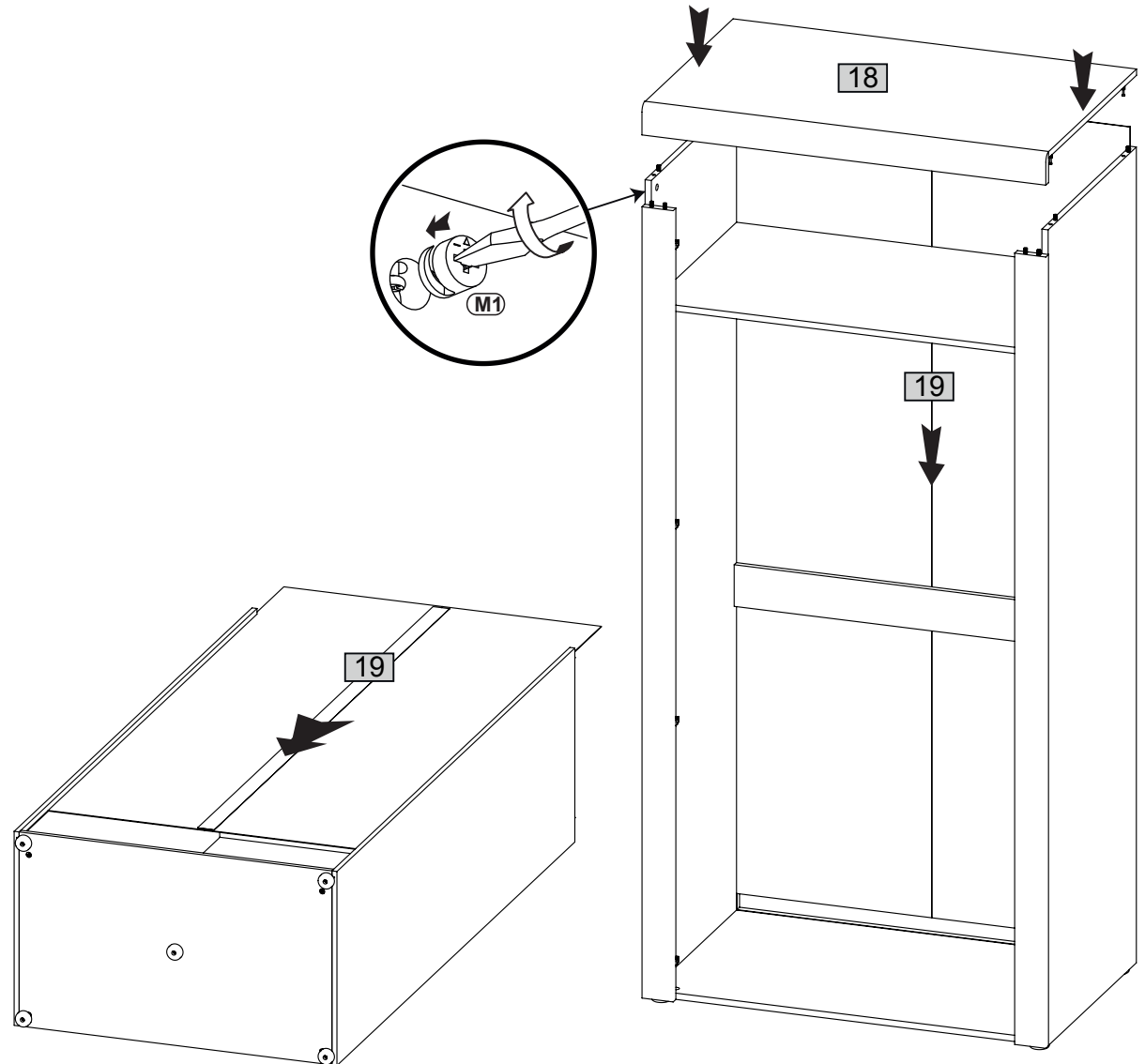
7

M1  x10

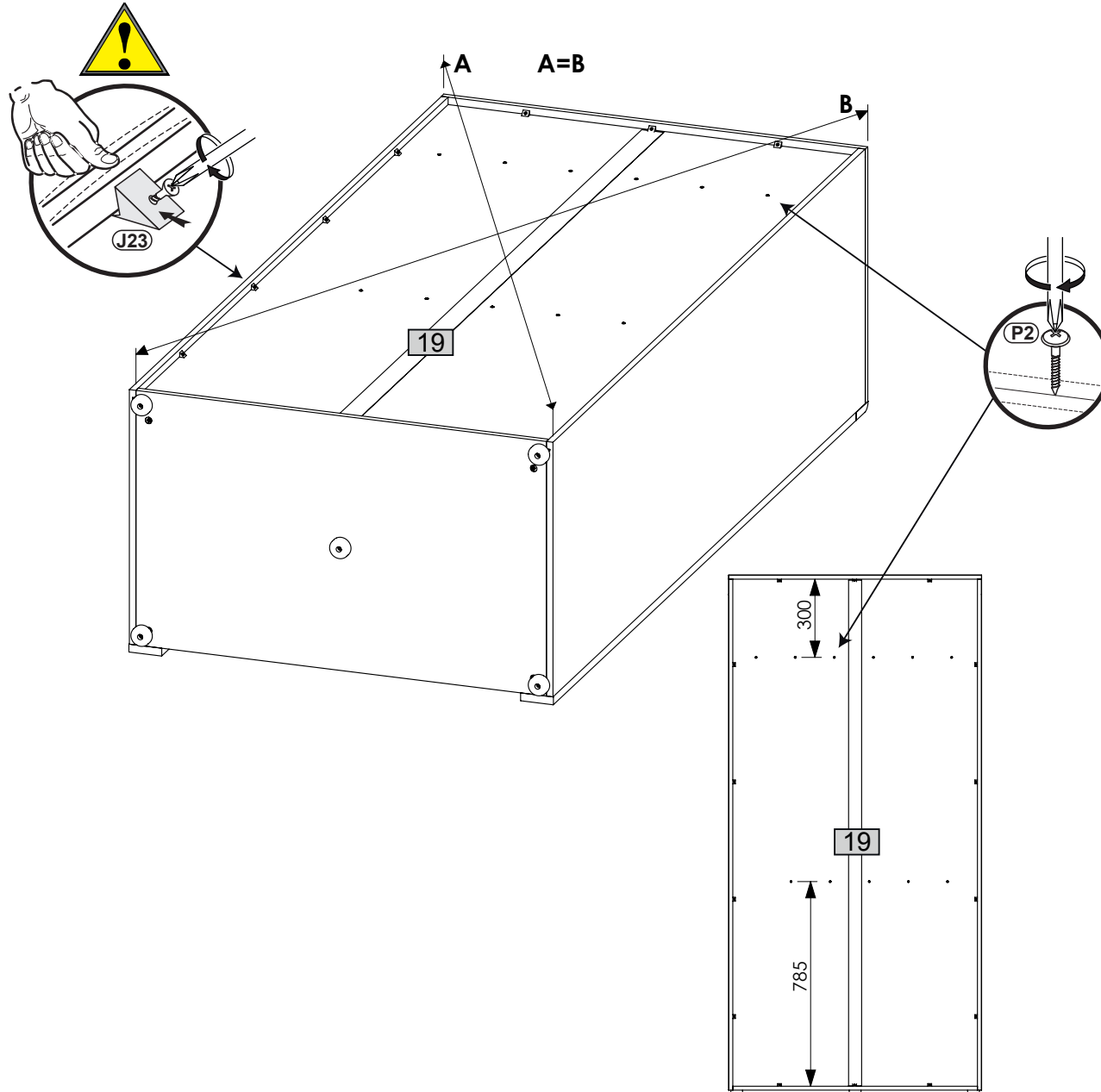
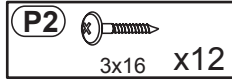
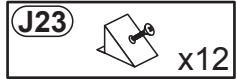


8

M1  x4



9



10

