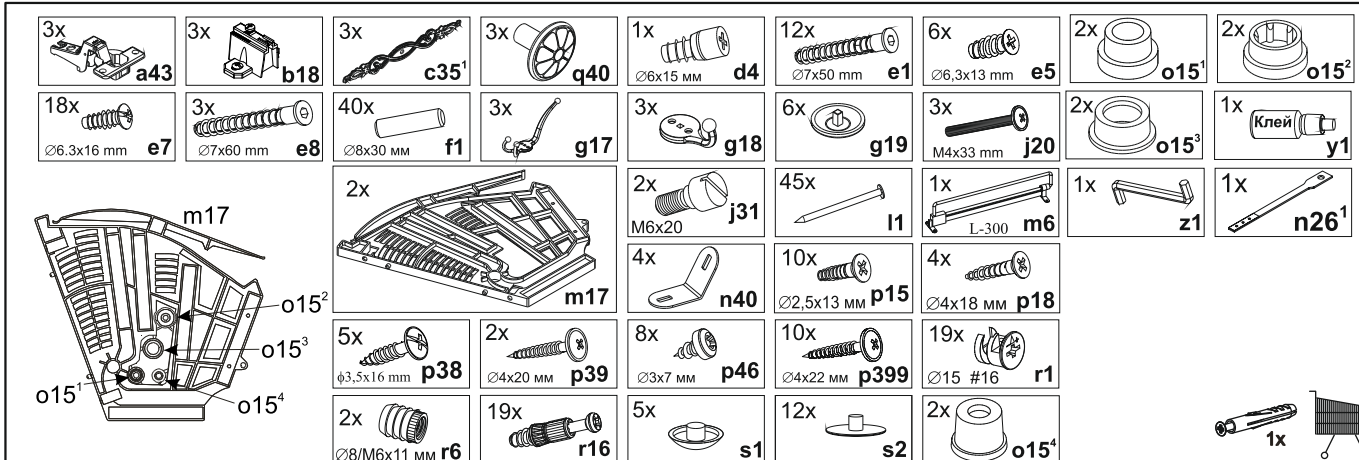
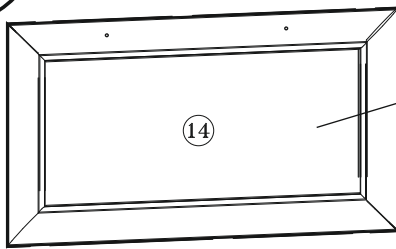
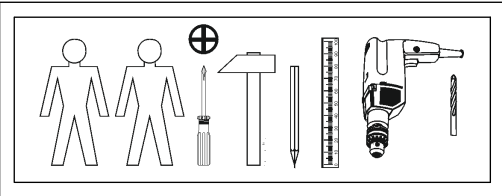
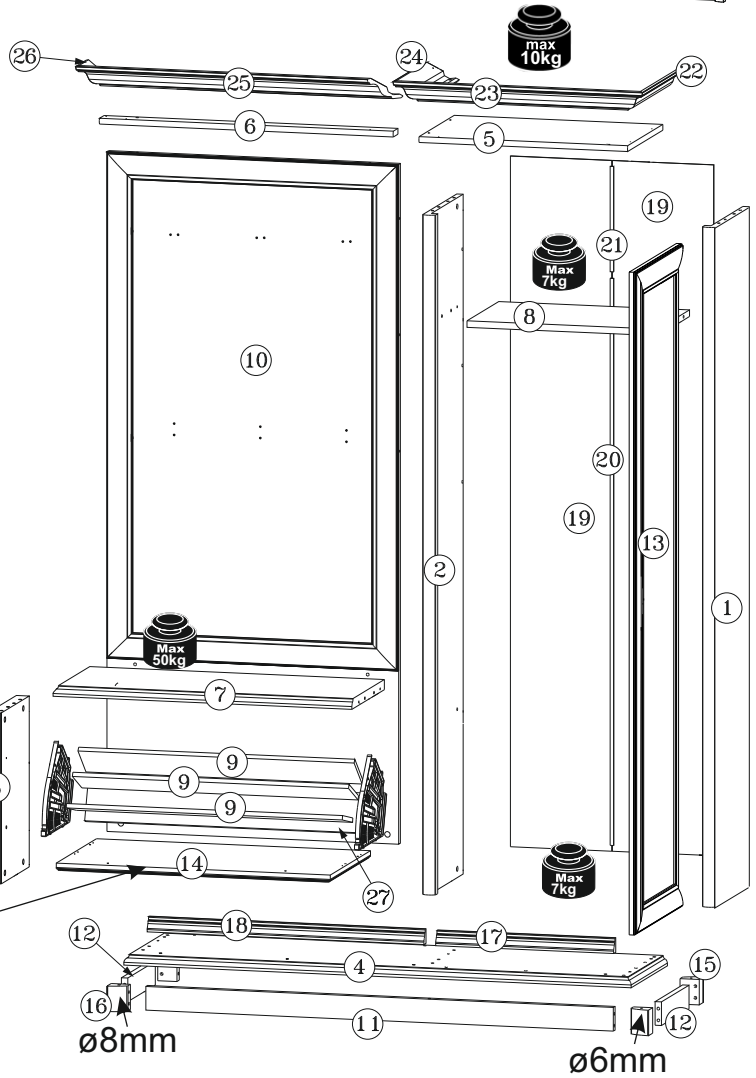
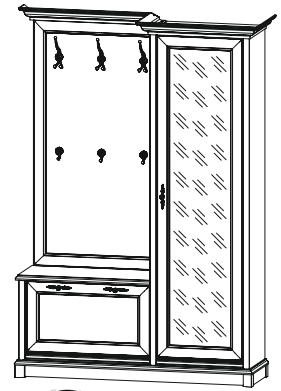
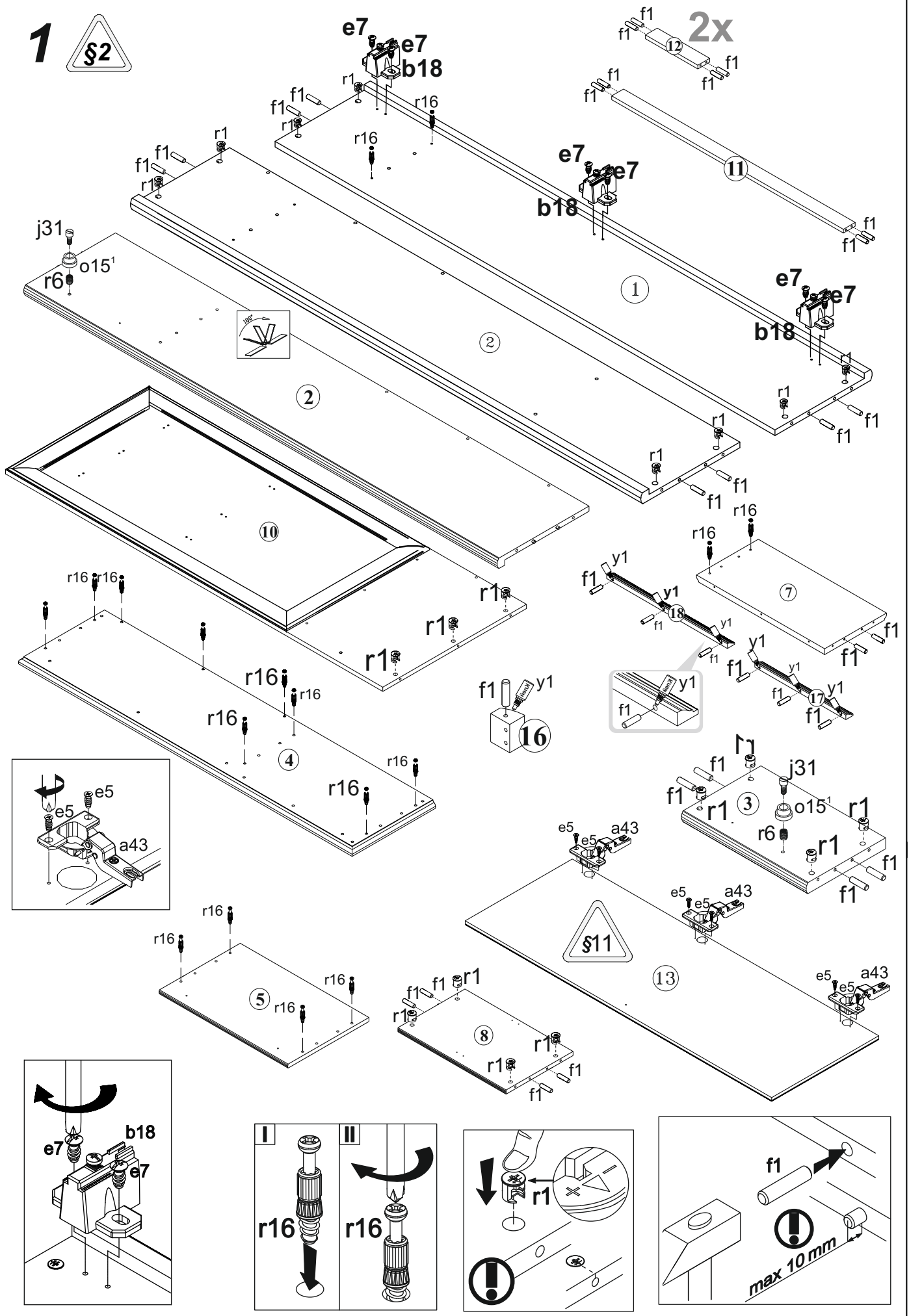
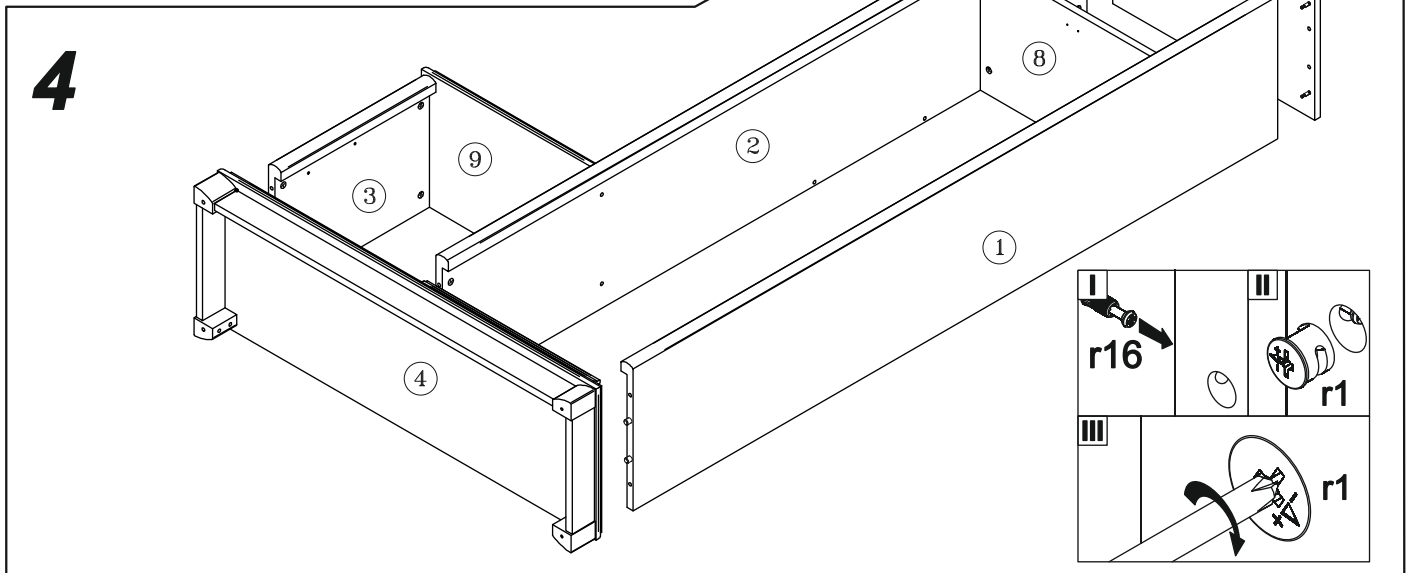
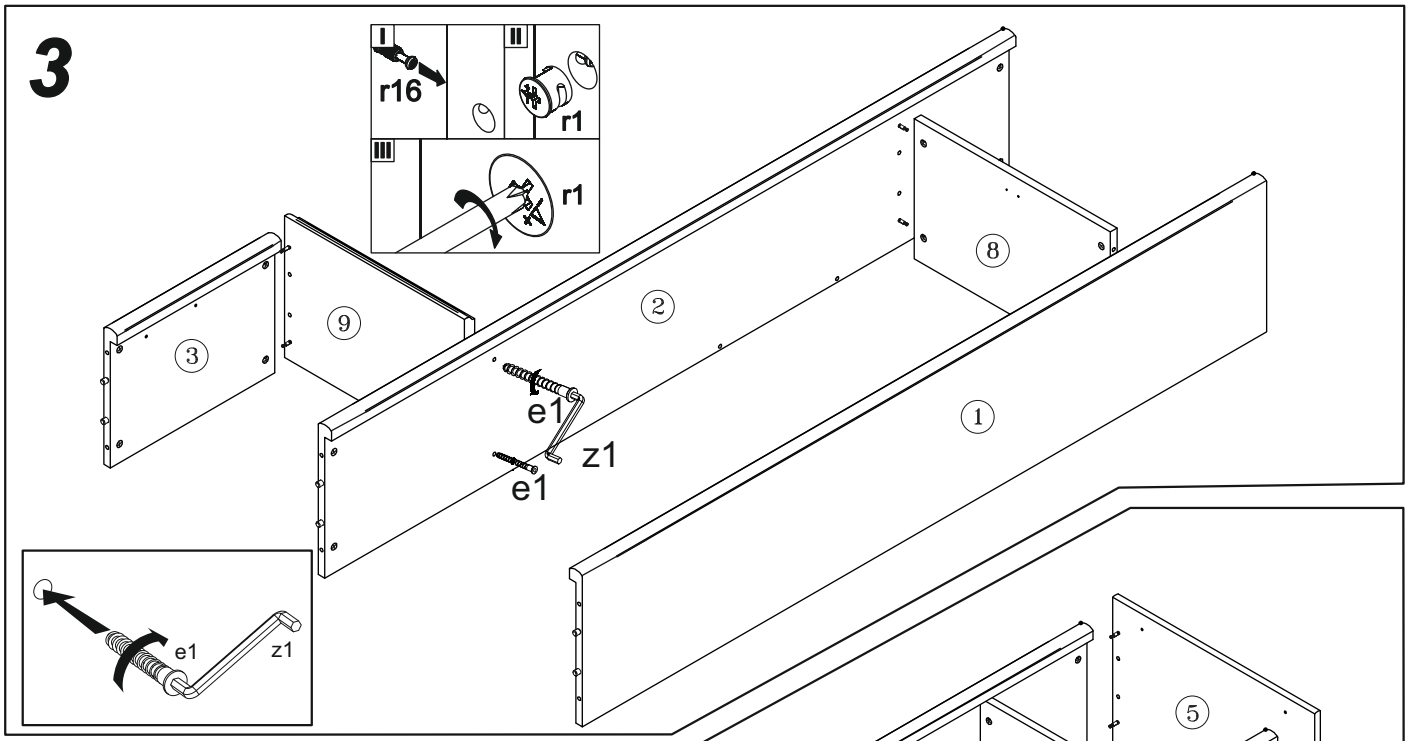
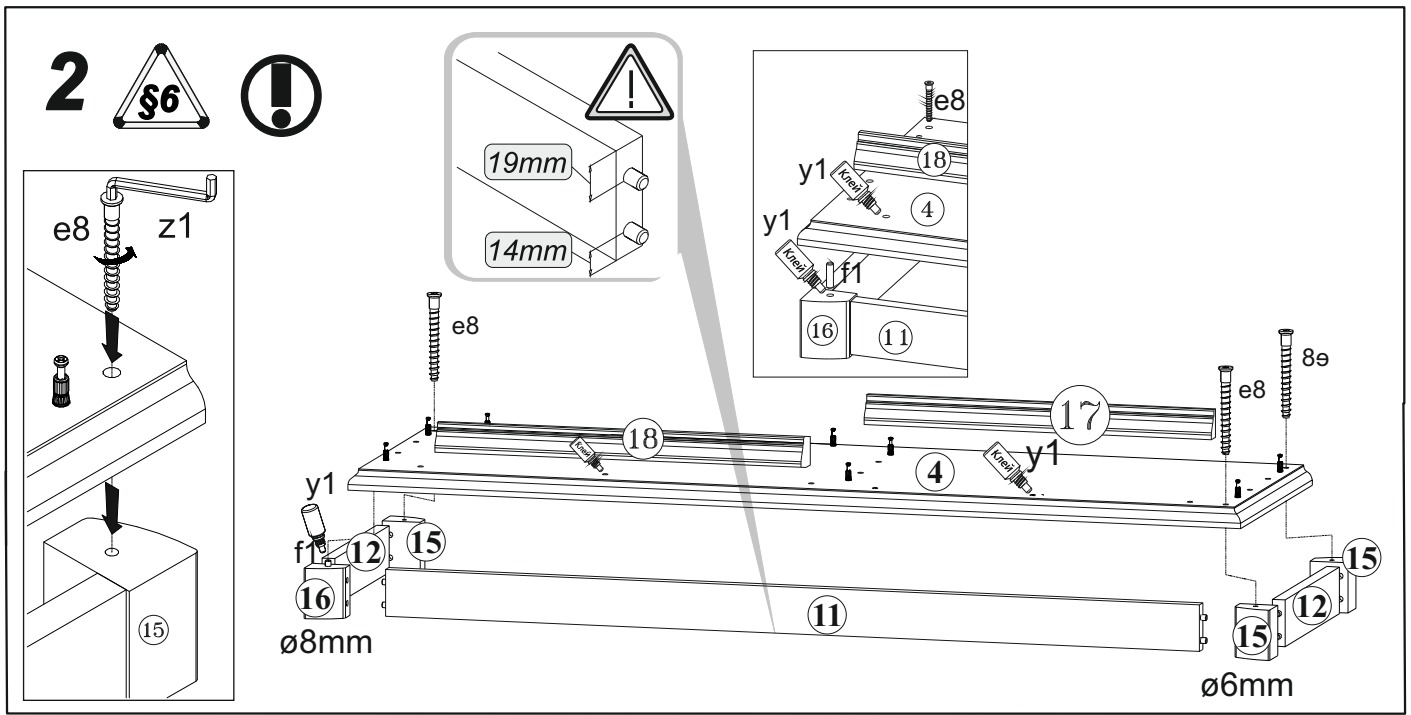


A	B	C	D	
1	KT1-1152	1870	363	1/3
2	KT1-1155	1870	363	1/3
3	KT1-1156	469	329	3/3
4	KT1-288	1421	380	3/3
5	KT1-210-01	586	370	3/3
6	KT1-289	809	50	3/3
7	KT1-290	821	336	3/3
8	KT1-318	536	332	3/3
9	KT1-448	747	110	3/3
10	KT1-478	1870	809	2/3
11	KT1-474	1309	65	3/3
12	KT1-403	288	65	3/3
13	KT1-026C	1824	495	2/3
14	KT1-049	768	419	3/3
15	KT1-571-01	70	54	3/3
16	KT1-1599-01	70	54	3/3
17	KT1-572	500	40	3/3
18	KT1-1593	773	40	3/3
19	KT1-904	1900	282	1/3
20	LH-1560	1560		1/3
21	LH-290	290		1/3
22	KT1-2543	427,5	95,5	3/3
23	KT1-576	701	95,5	3/3
24	KT1-2544	399	95,5	3/3
25	KT1-2546	888	95,5	3/3
26	KT1-1579	107,5	95,5	3/3
27	KT1-429	747	110	3/3

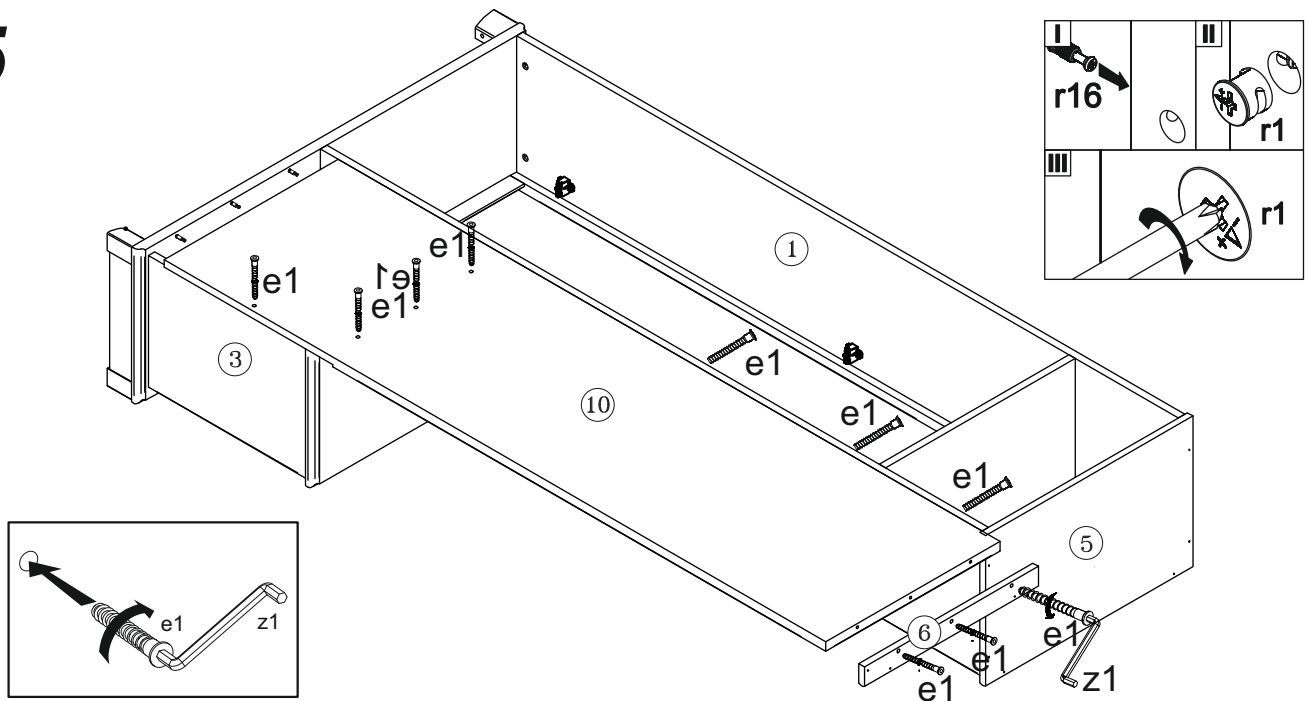


1

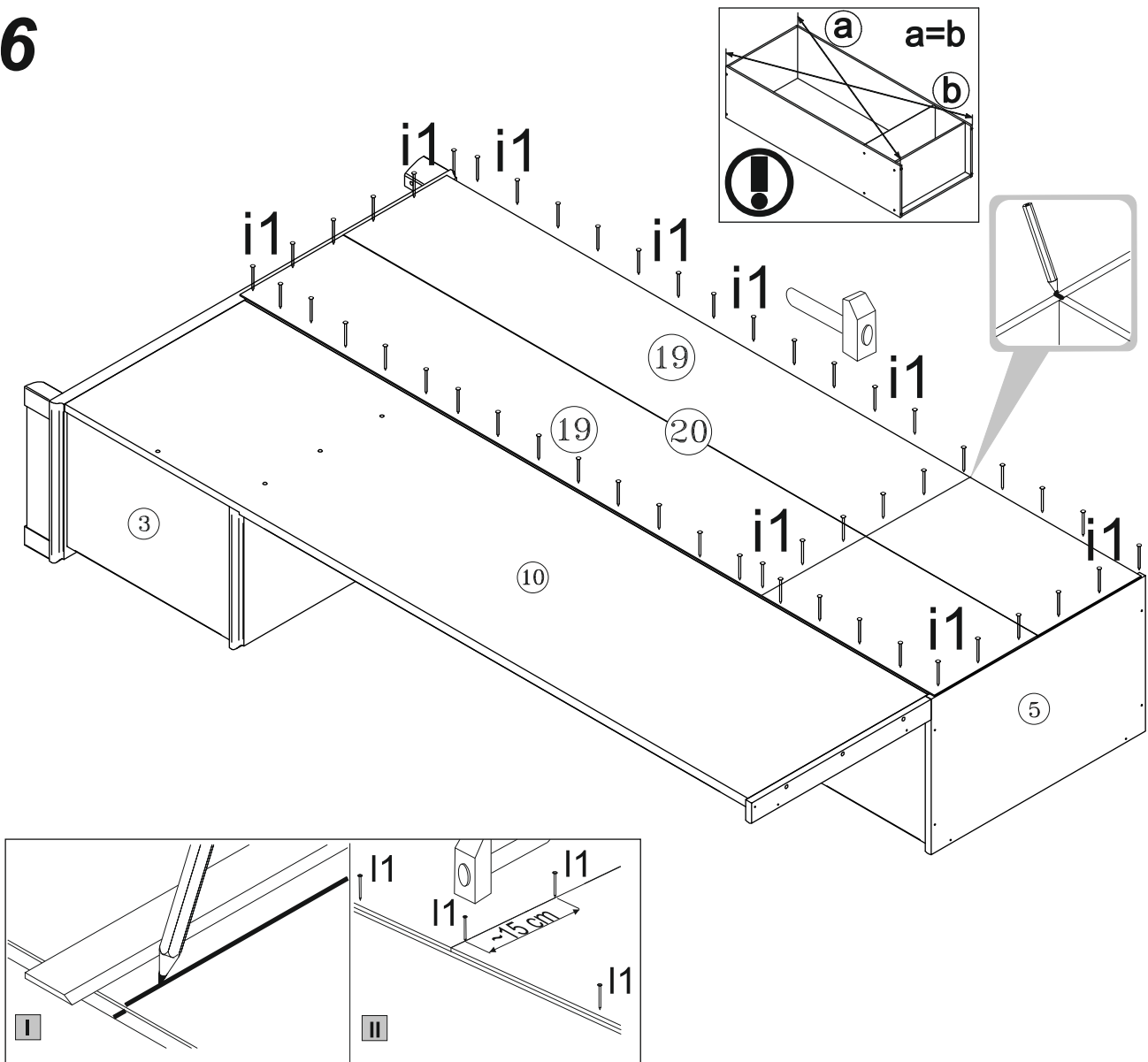




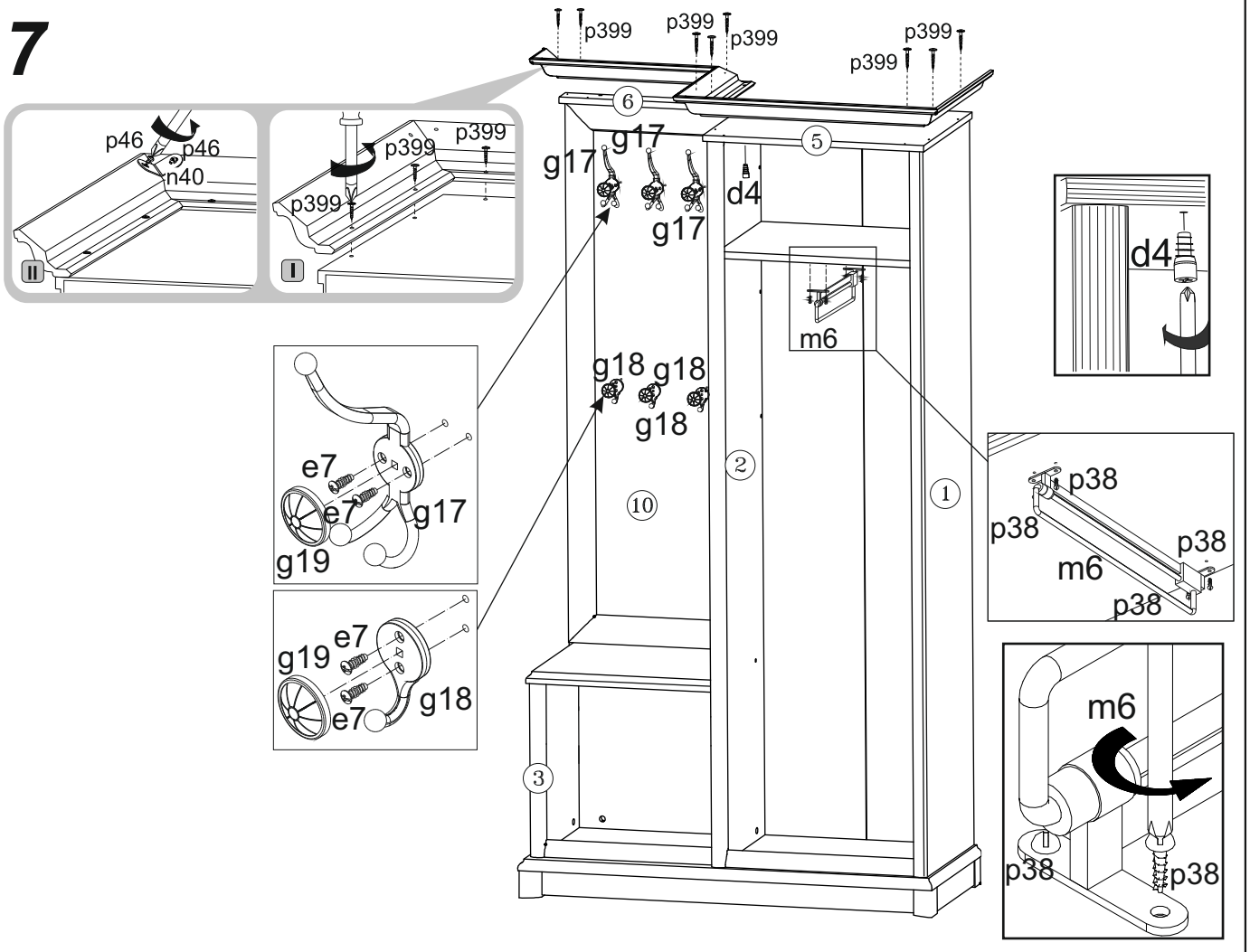
5



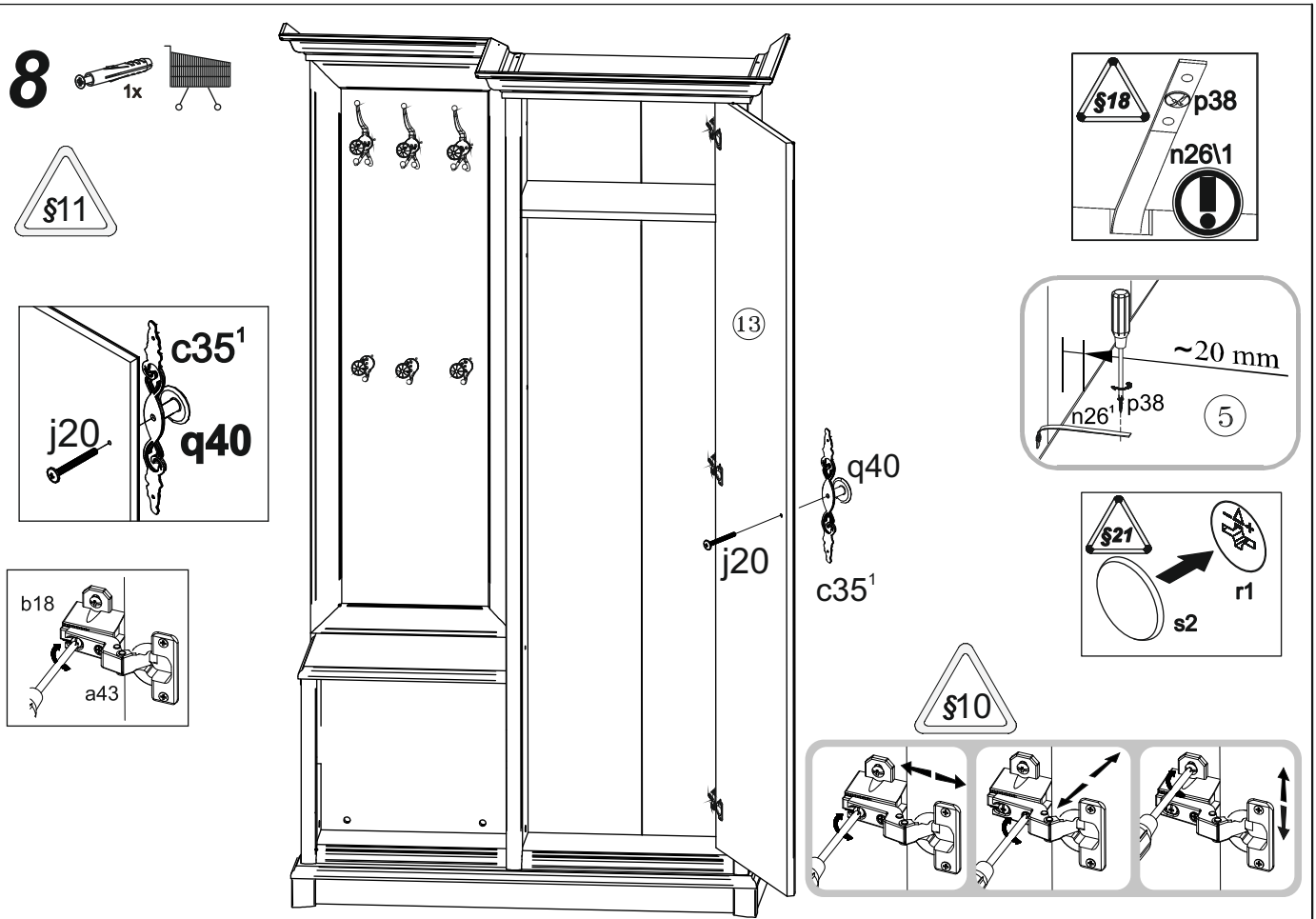
6



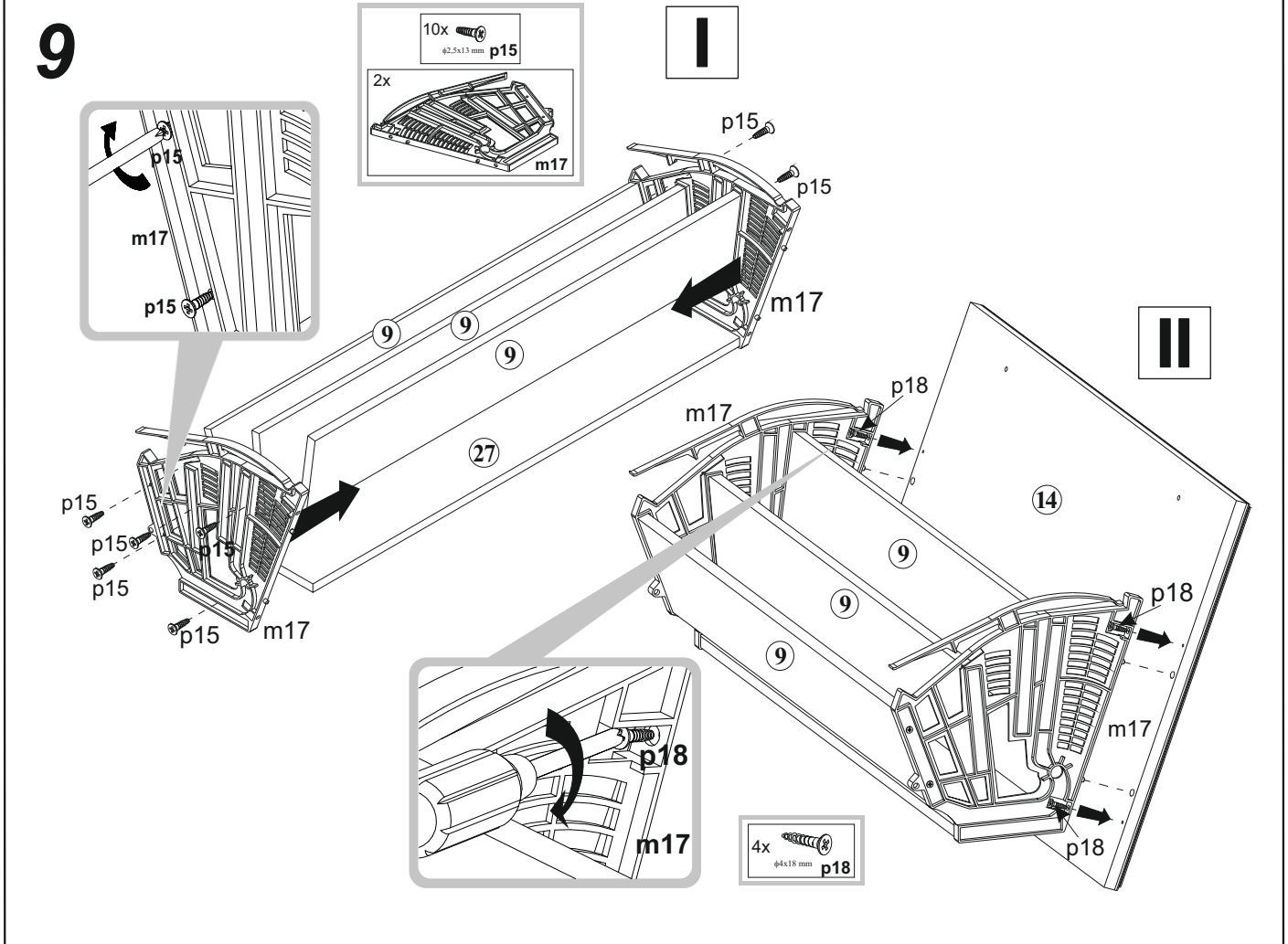
7



8



9



10

