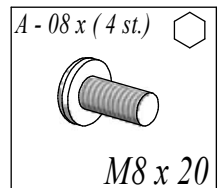
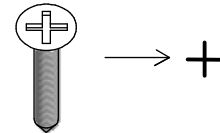
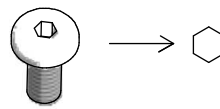
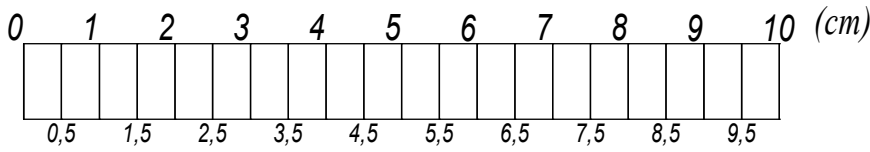
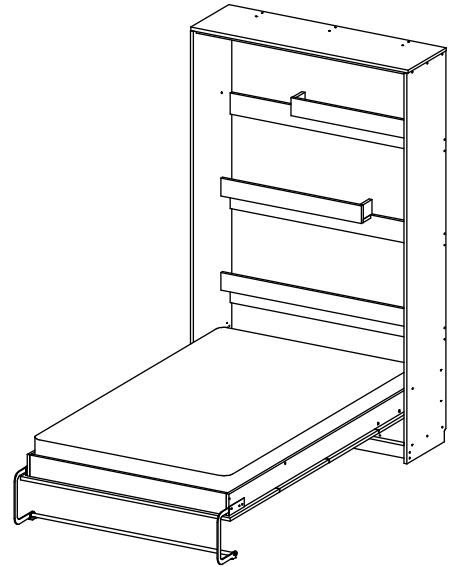
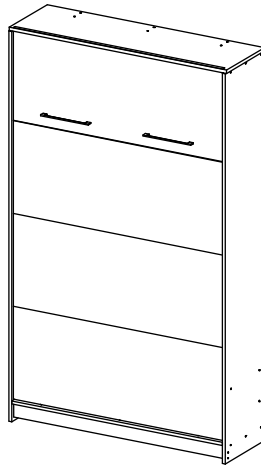
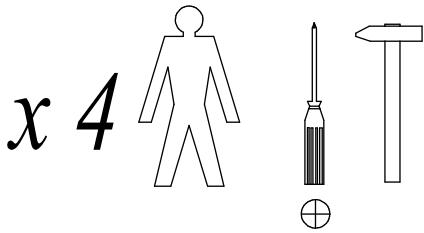
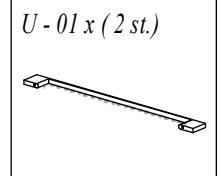
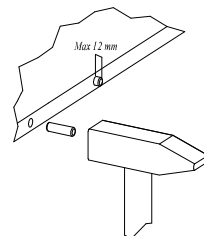
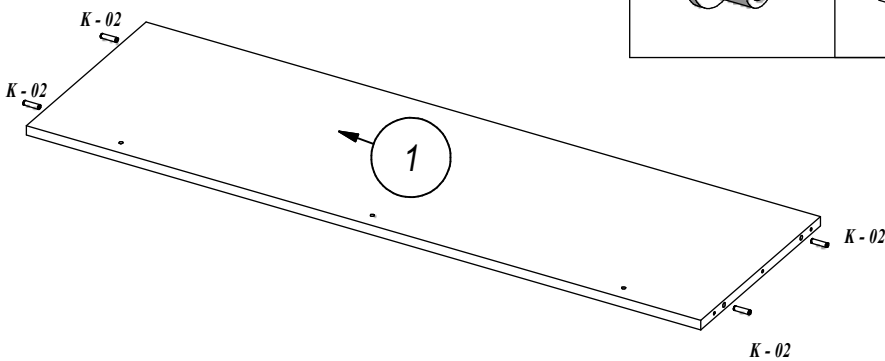
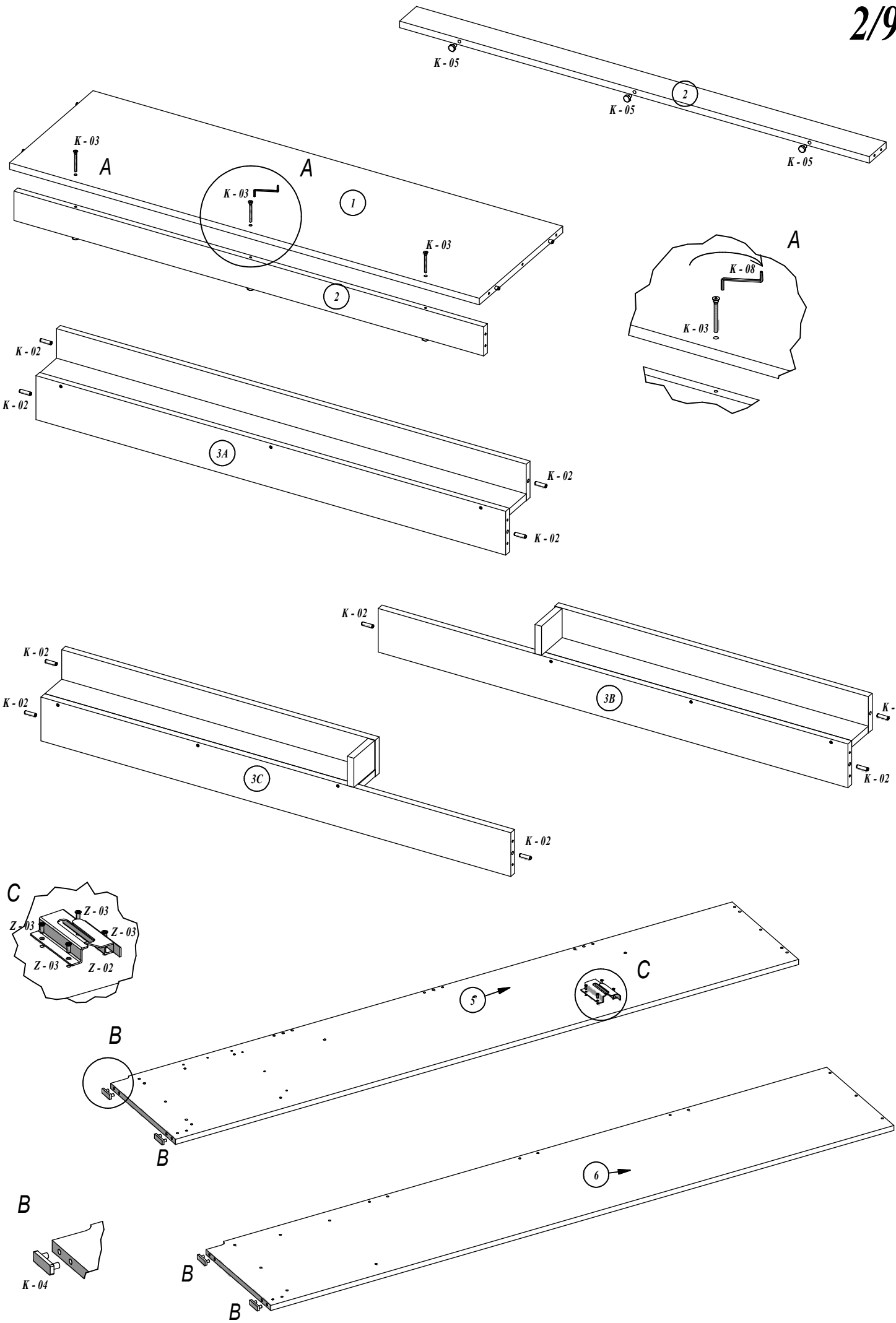


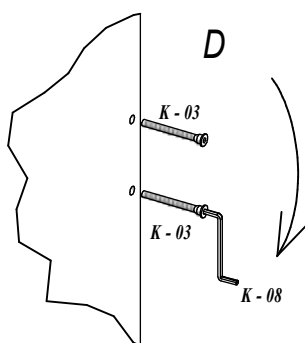
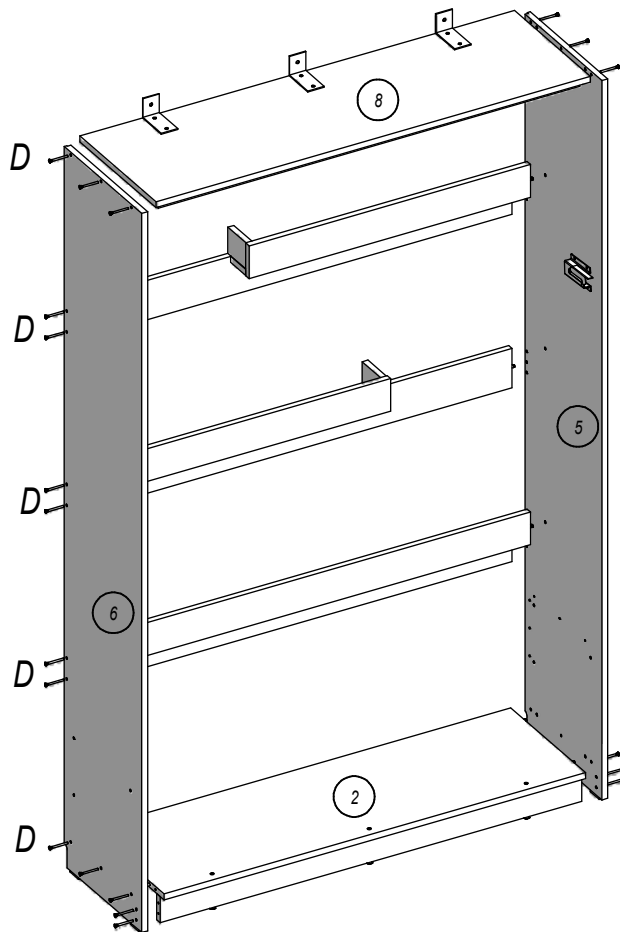
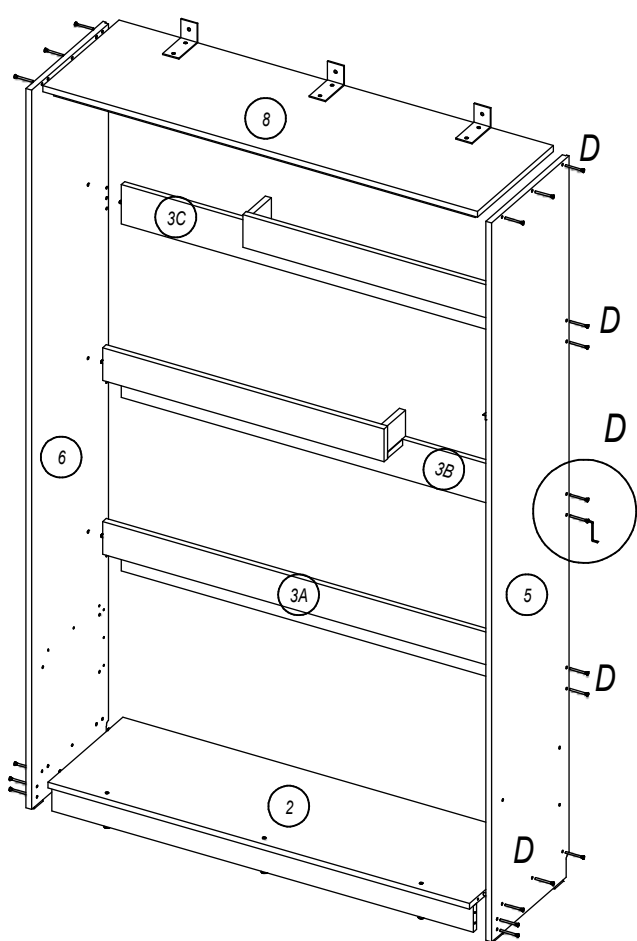
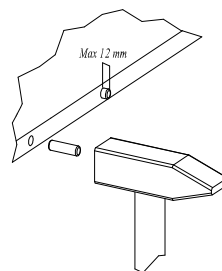
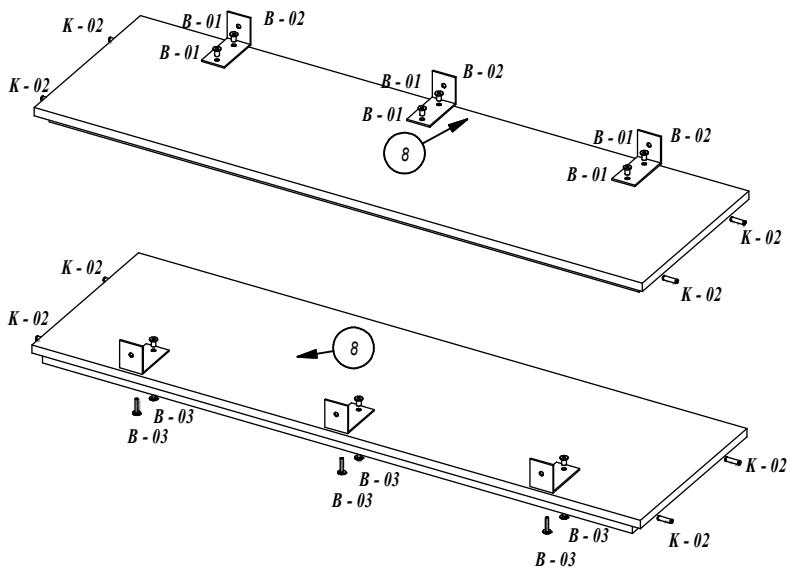
TYP 1 / 120

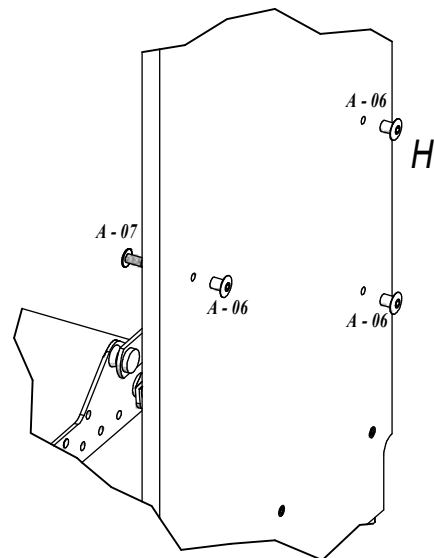
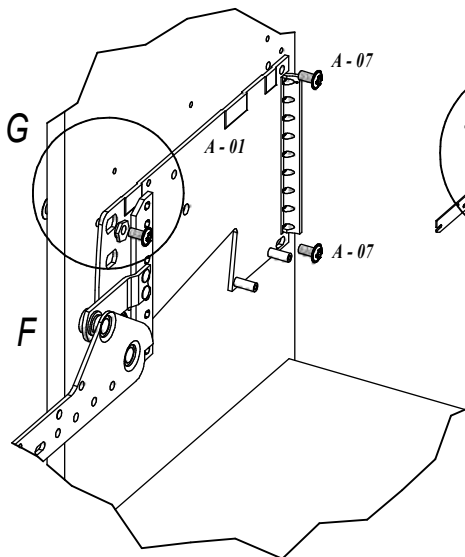
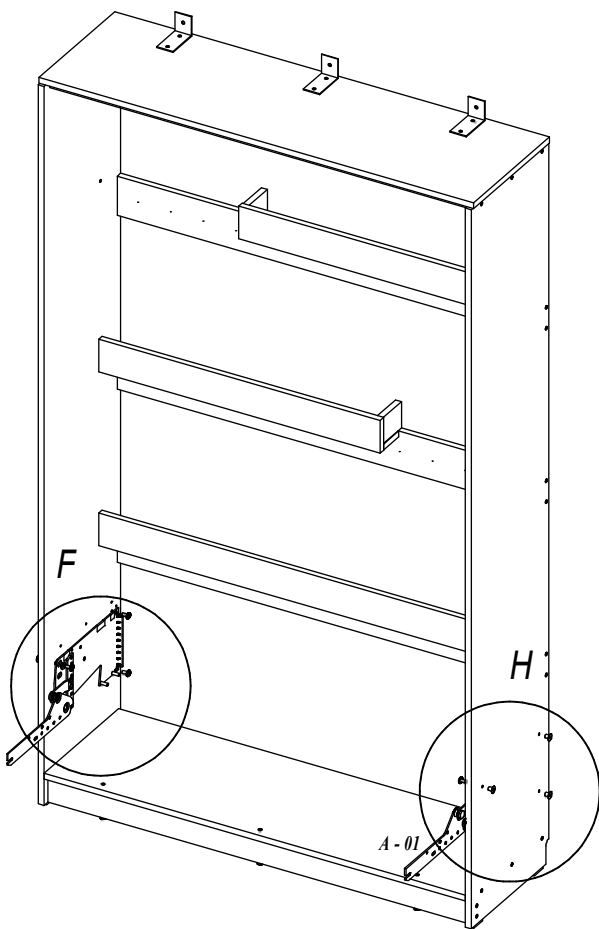
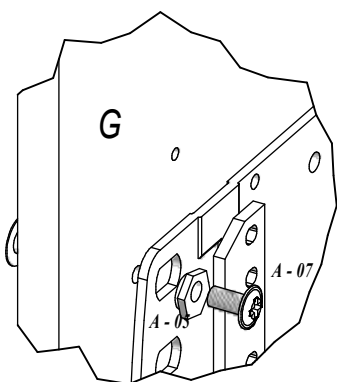
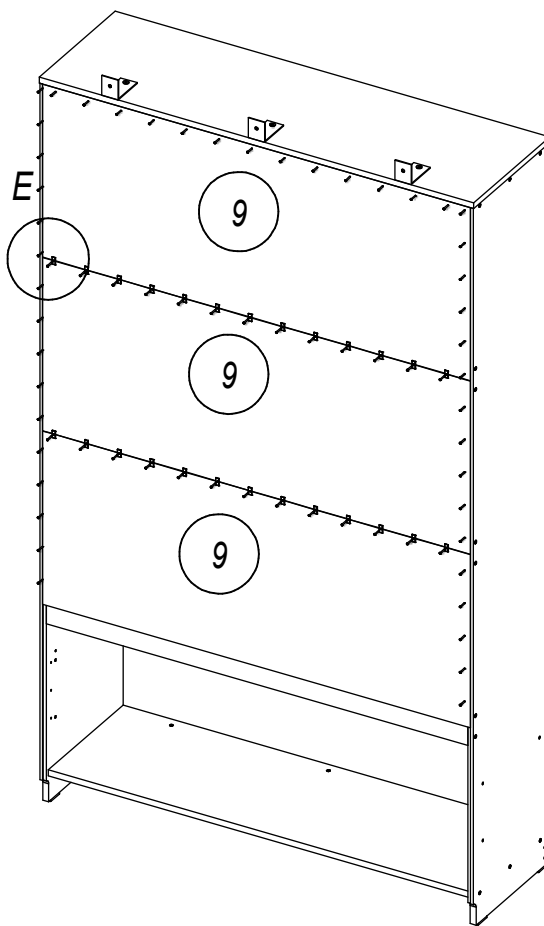
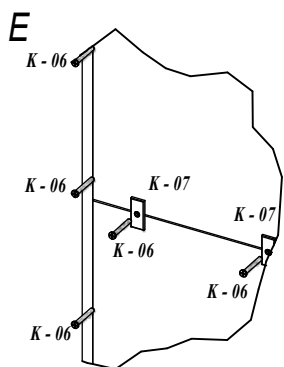


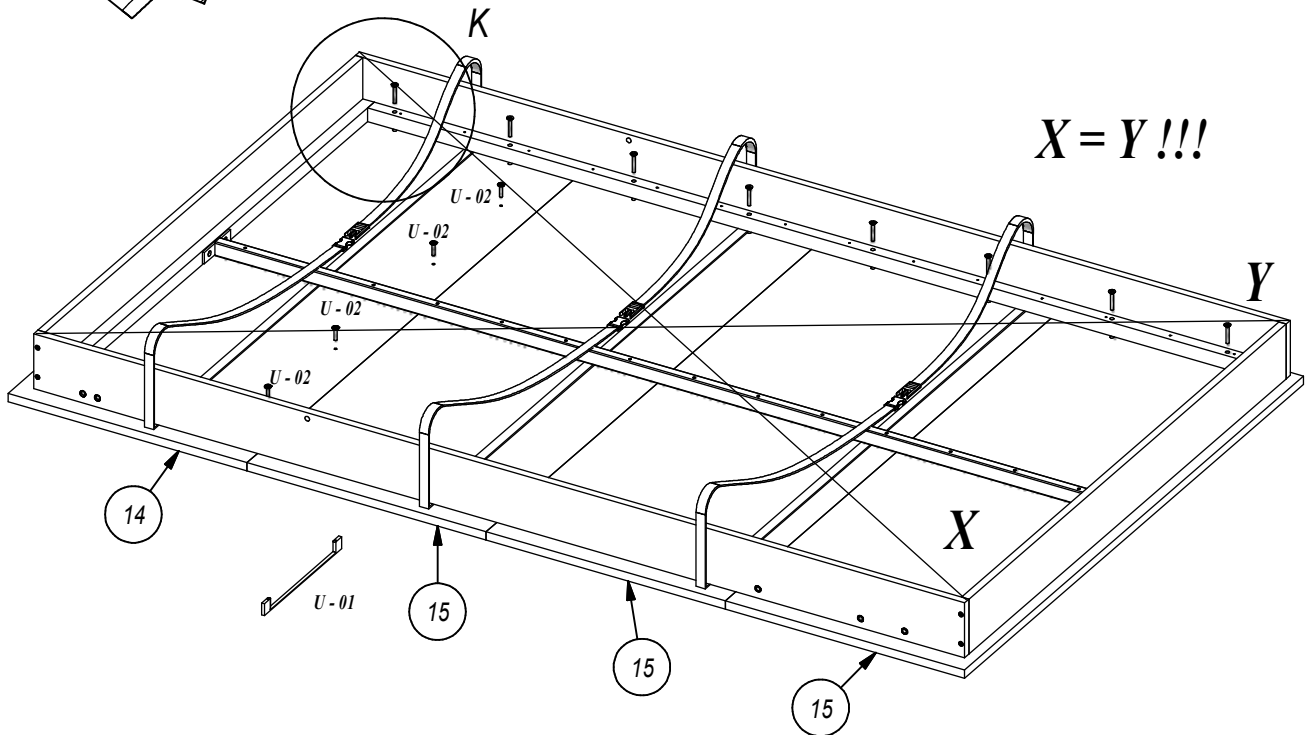
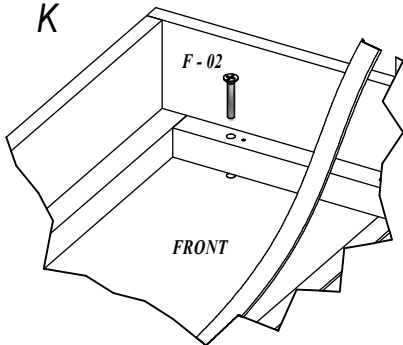
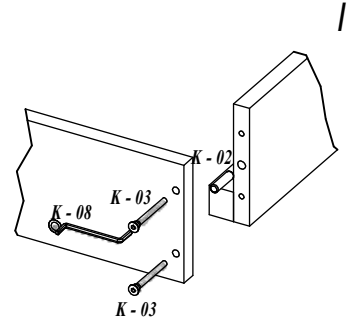
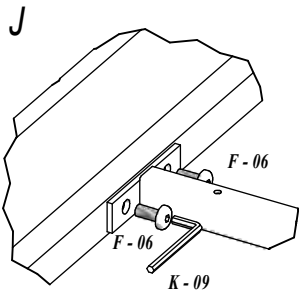
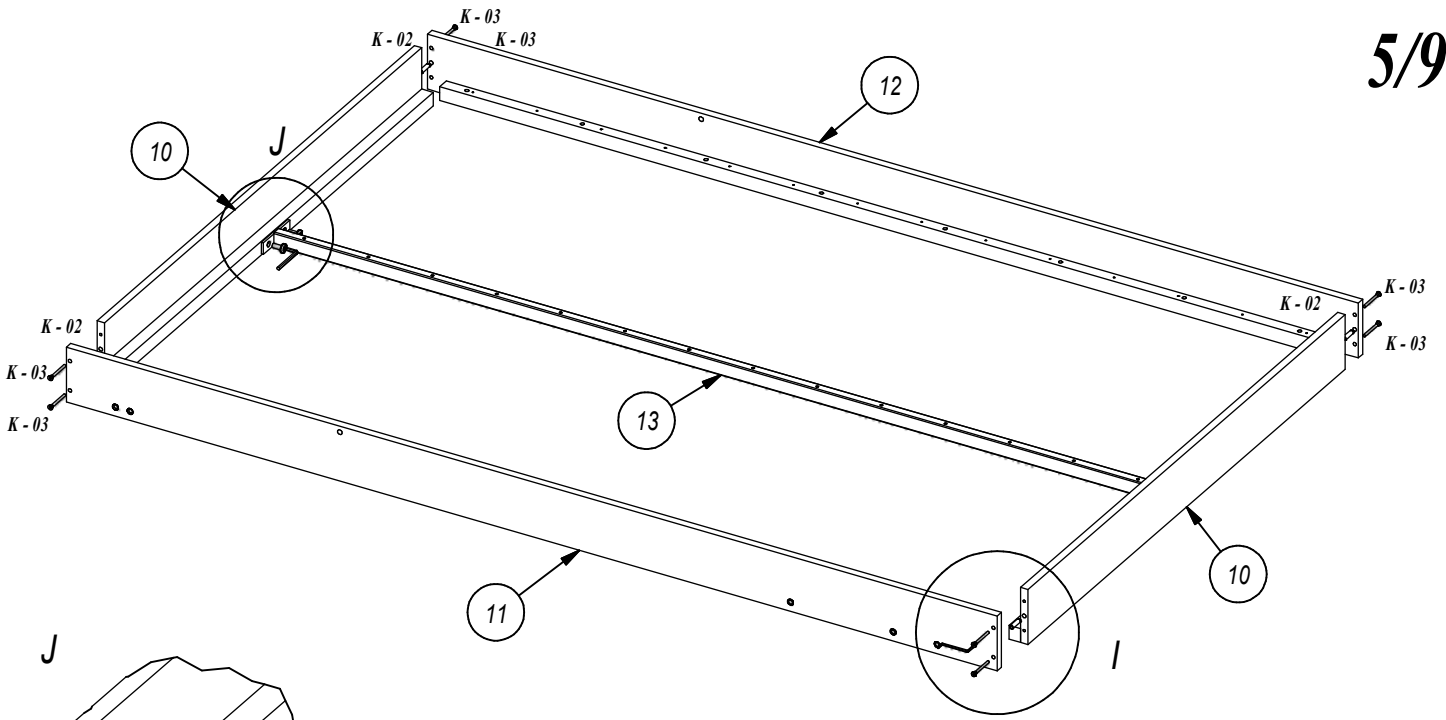
A - 01 x (R + L)	A - 02 x (16 st.)	A - 03 x (R + L)	A - 04 x (4 st.)	A - 05 x (2 st.)	A - 06 x (6 st.)	A - 07 x (6 st.)	A - 08 x (4 st.)
N - 01 x (1 st.)	N - 02 x (4 st.)		Z - 03 x (16 st.)		Z - 02 x (1 st.)	Z - 01 x (1 st.)	
K - 02 x (22 st.)	K - 03 x (39 st.)	K - 04 x (4 st.)	K - 05 x (3 st.)	K - 06 x (110 st.)	K - 07 x (35 st.)	K - 08 x (1 st.)	
K - 09 x (1 st.)	F - 01 x (28 st.)	F - 02 x (16 st.)	F - 03 x (14 st.)	F - 04 x (10 st.)	F - 05 x (4 st.)	F - 06 x (4 st.)	
			B - 01 x (6 st.)	B - 02 x (3 st.)	B - 03 x (6 st.)	U - 02 x (4 st.)	
					M6 x 35	M4 x 25	

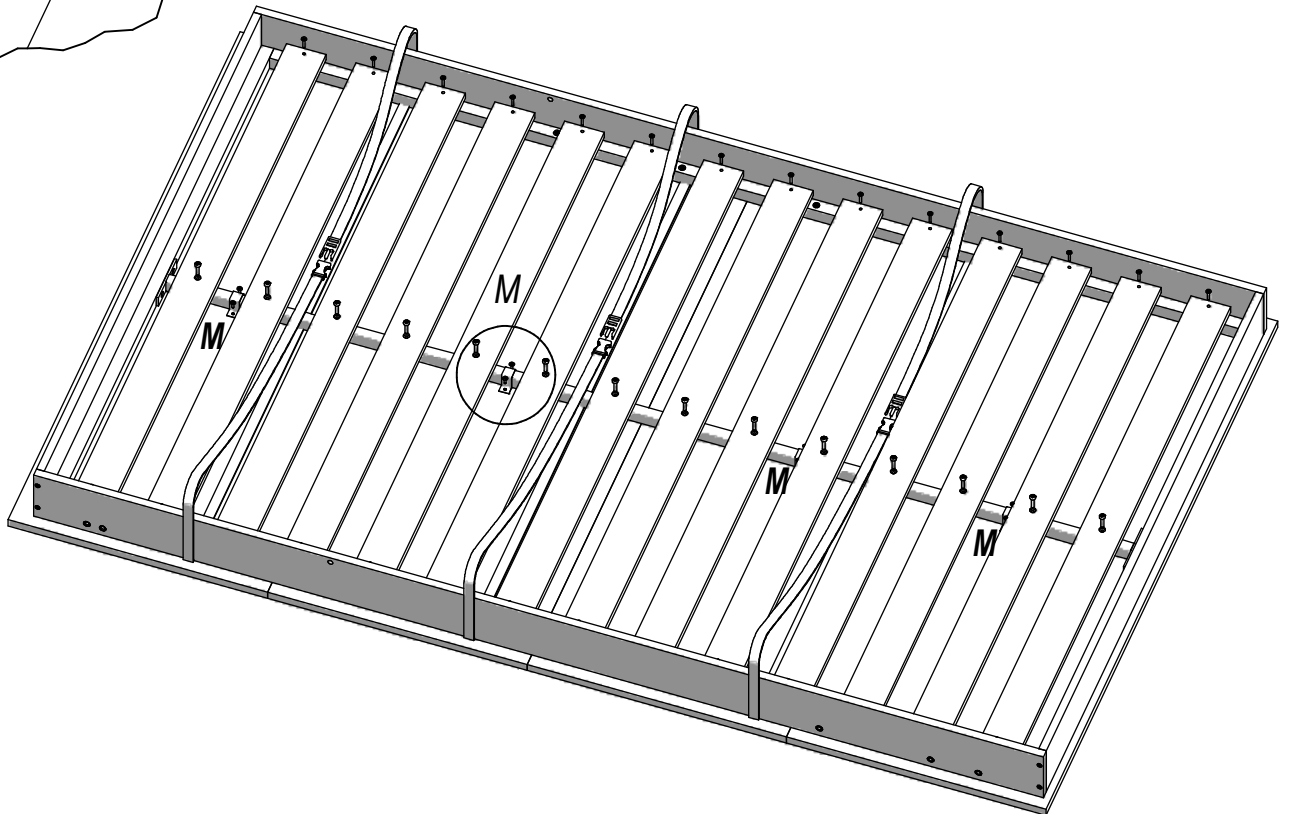
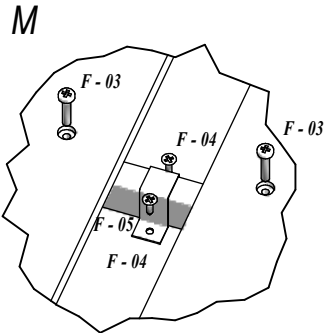
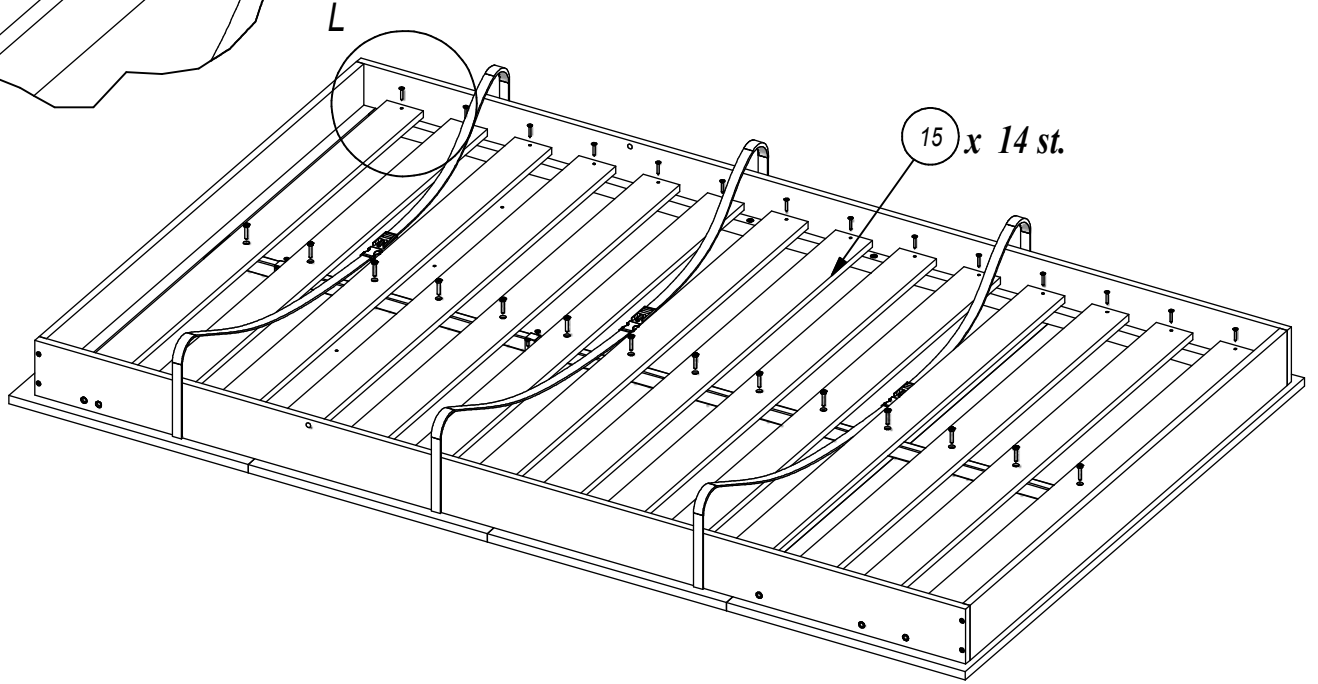
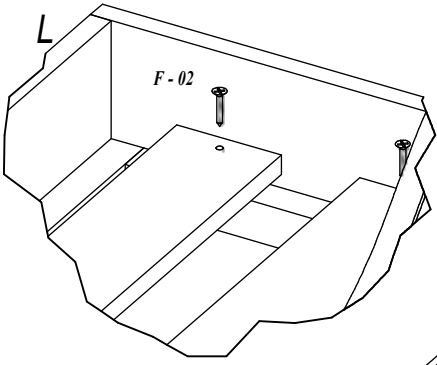




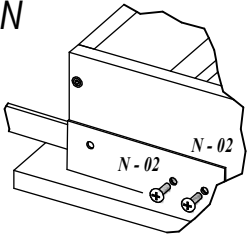




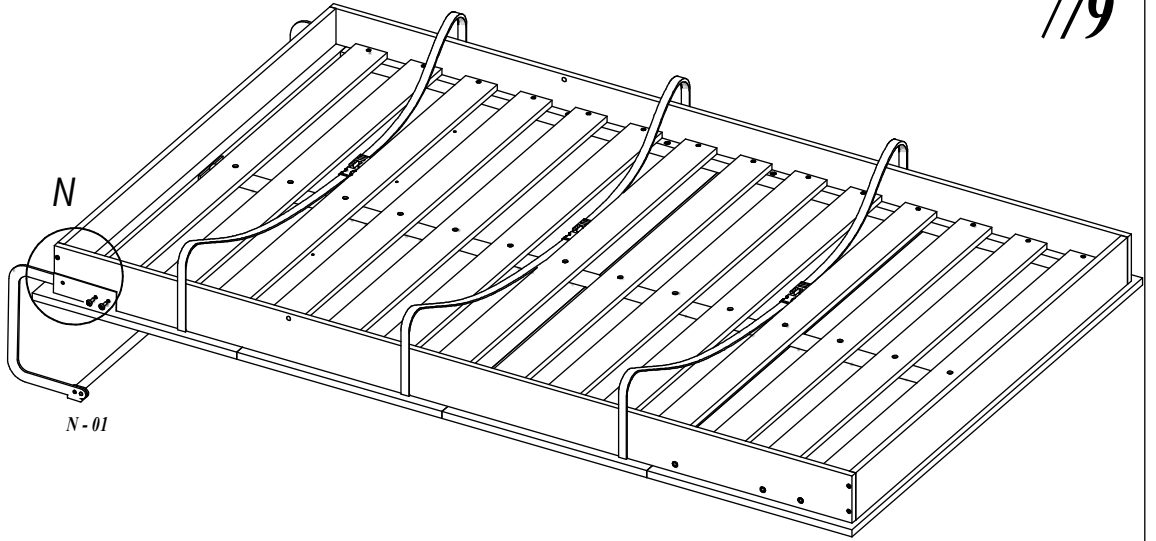




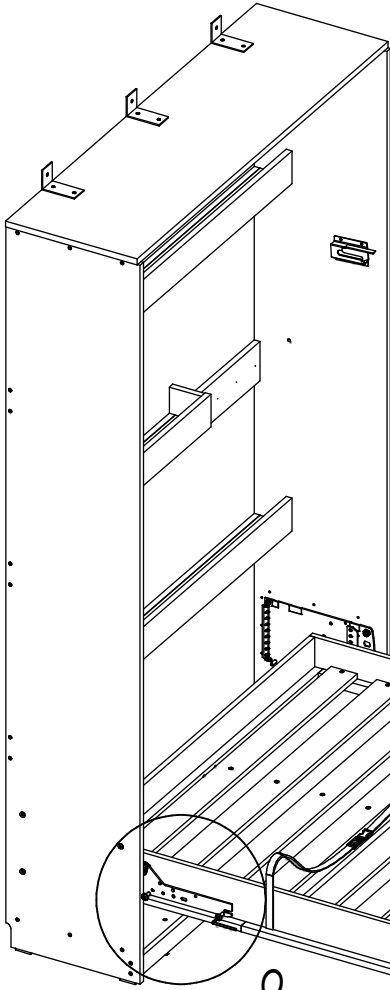
N



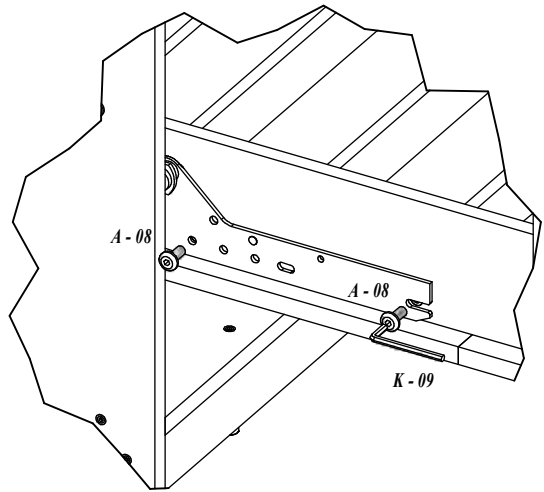
7/9



N-01



O



O

