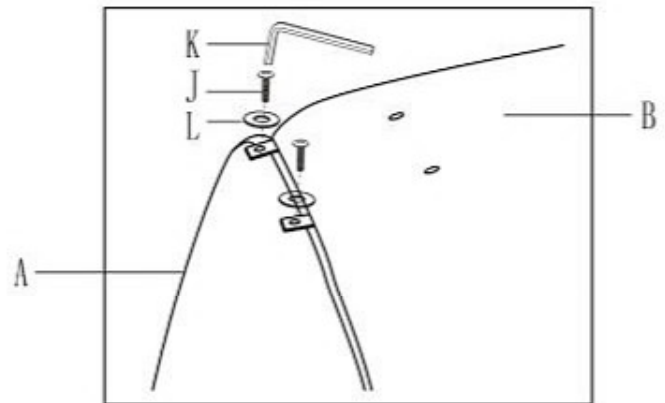
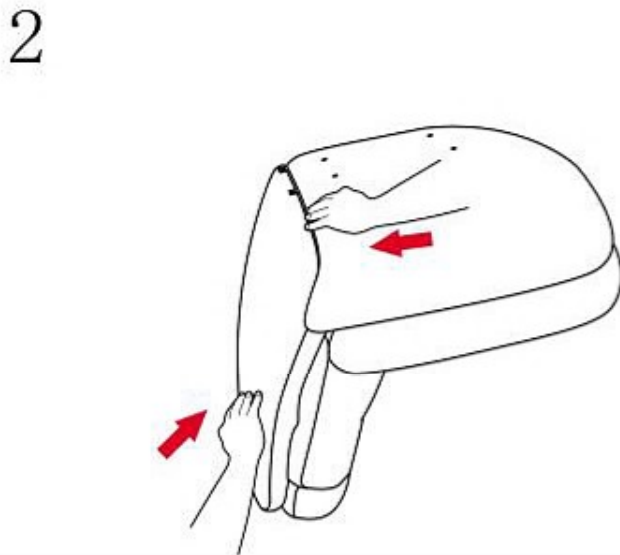
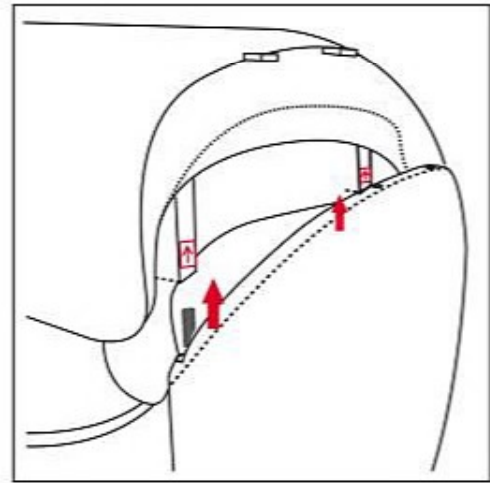
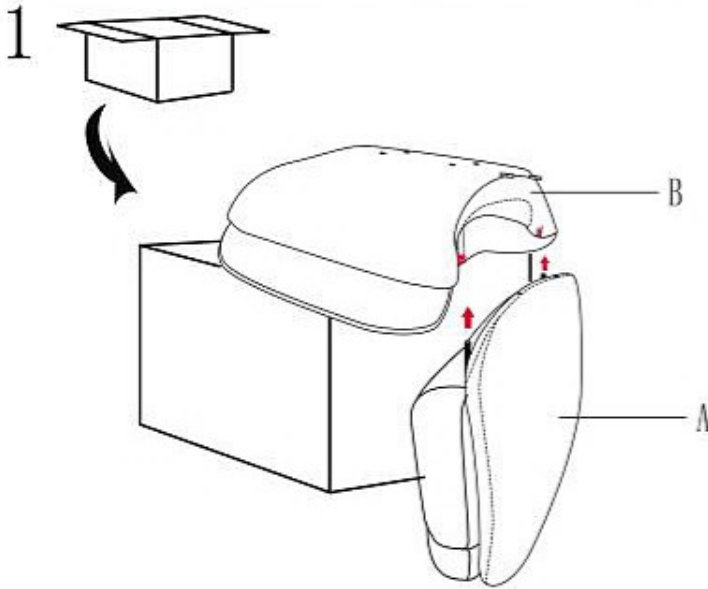


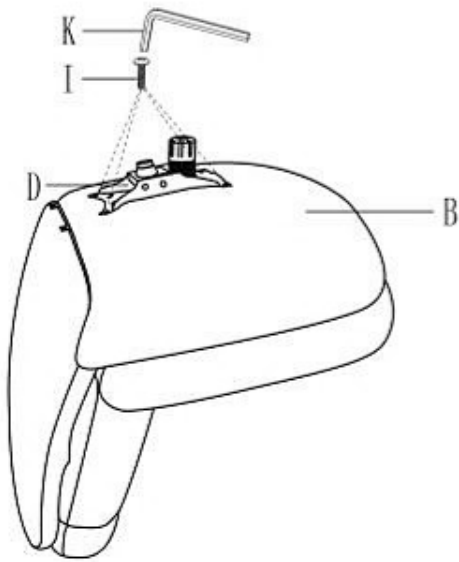


		J	M6x30 mm	2
A		1		
B		1		
C	BIG	1		
D		1		
E		1		
F		1		
G	SMALL	1		
H		1		
I		8		
		K	M6x16 mm	2
		L		1

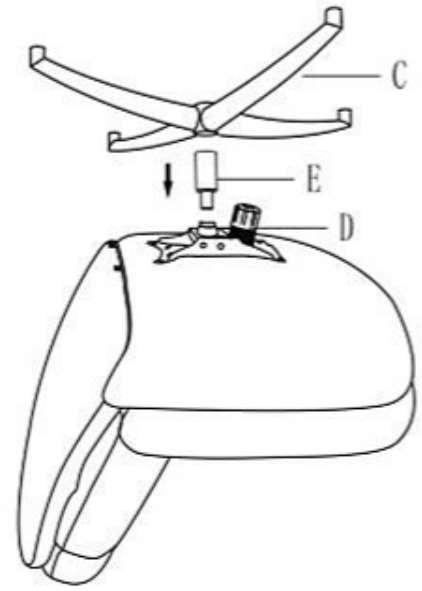
v.1



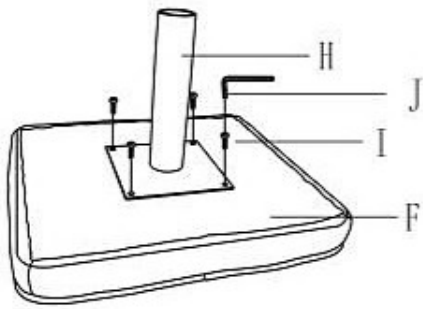
3



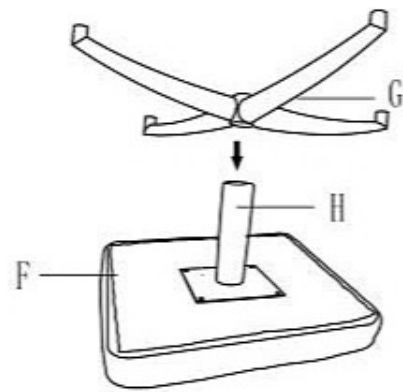
4



5



6



7

